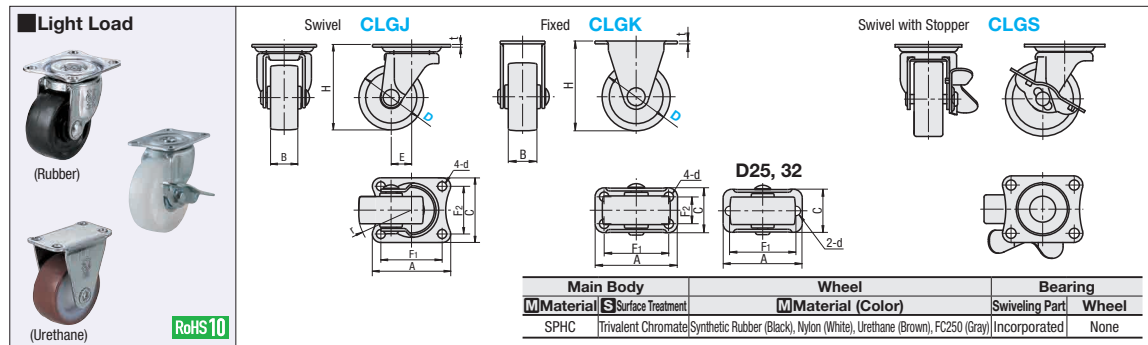


Caster / Angle Mount

Light Load



Main Body	Part Number Type	Wheel Material	H	A	C	F1	F2	d	B	r	E	t	Allowable Load (N)				Mass (g)				
													R	N	U	G	R	N	U	G	
Swivel	CLGJ	R (Rubber)	25	35	35	30	28	23	4.2	12	21	8	1.6	80	100	100	120	35	30	40	53
			32	42	38	32	30	24	14	27	10	1.6	120	180	180	200	50	40	50	68	
			38	50	46	38	36	28	5.3	17	32	12	1.6	200	280	280	300	80	75	80	116
			50	65	59	47	46	35	6.5	20	42	16	2	300	380	380	400	140	110	119	213
			65	80	70	58	55	42	8.8	25	53	19	2.3	400	550	550	600	245	180	195	450
Fixed	CLGK	N (Nylon)	25	35	36	18	29	-	4.2	12	-	-	1.6	80	100	100	120	25	23	31	47
			32	42	40	20	-	-	-	1.6	120	180	180	200	38	30	40	58			
			38	50	46	25	36	15	5.3	17	-	-	1.6	200	280	280	300	63	48	52	106
			50	65	58	40	45	25	6.5	20	-	-	2	300	380	380	400	130	95	110	220
			65	80	70	47	55	28	8.8	25	-	-	2.3	400	550	550	600	240	175	190	395
Swivel with Stopper	CLGS	G (Casting)	50	65	59	47	46	35	6.5	20	44	16	2	300	380	380	500	165	135	145	420
			65	80	70	58	55	42	8.8	25	58	19	2.3	400	550	550	600	280	215	230	485
			75	90	70	58	55	42	8.8	26	58	19	2.3	500	650	650	700	325	230	250	590

Ordering Example: Part Number - Wheel Material
CLGJ38 - R

Part Number Type	D	Unit Price			
		R	N	U	G
CLGJ	25				
	32				
	38				
	50				
	65				
CLGK	25				
	32				
	38				
	50				
	65				
CLGS	50				
	65				
	75				

Angle Mount



Main Body	Wheel	Bearing		
			Material	Surface Treatment
SPHC	Trivalent Chromate	Synthetic Rubber (Black), Nylon (White)	Incorporated	None

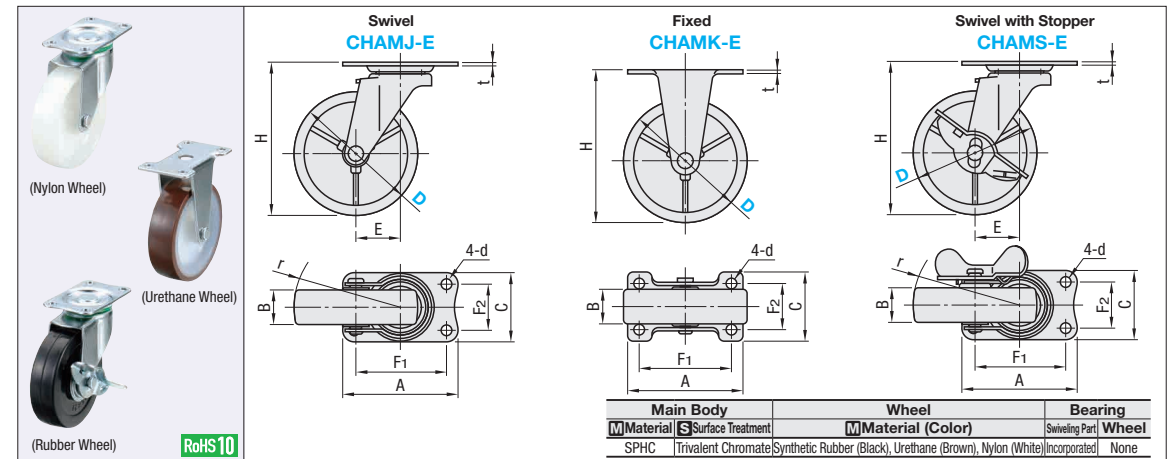
Ensure that vertical load is applied to the mounting surface. Applying load on the outside of angle may cause deformation and breakage.

Mount Type	Part Number Type	Wheel Material	H	B	E	r	Allowable Load (N)	Mass (g)	Unit Price		
									R	N	U
Angle Mount	CNGA	R (Rubber)	50	65	20	22	47	300	200		
			65	82	21	23	56	400	270		
			75	92	21	27	65	400	310		
			50	65	20	22	49	300	210		
Angle Mount with Stopper	CNGAS	N (Nylon)	65	82	21	23	56	300	285		
			75	92	21	27	65	400	330		

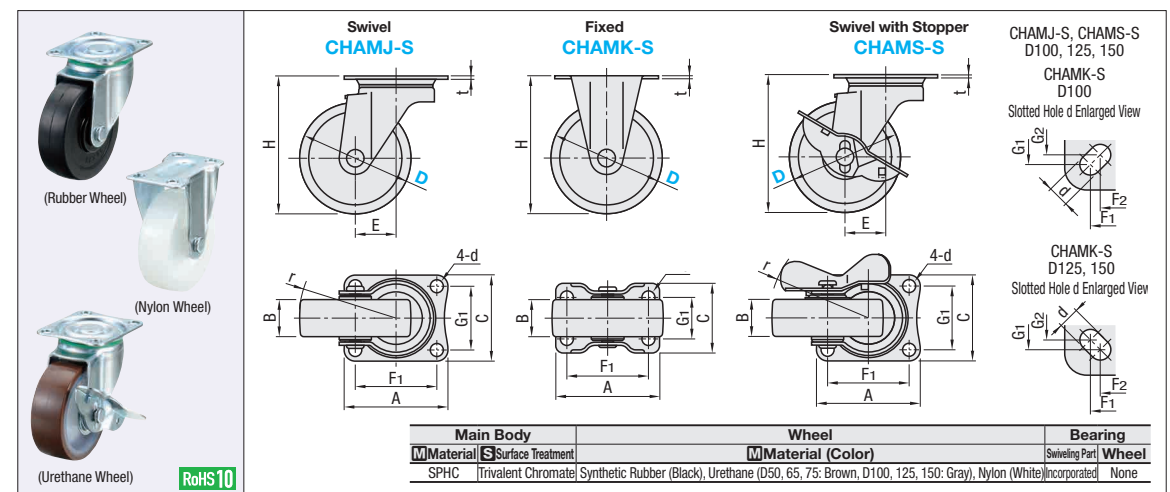
Ordering Example: Part Number - Wheel Material
CNGA50 - R

Casters

Light/Medium Load



Main Body	Part Number Type	Wheel Material	H	A	C	F1	F2	d	E	r	B				t	Allowable Load (N)				Mass (g)				Unit Price		
											R	U	N	t		R	U	N	G	R	U	N	R	U	N	
Swivel	CHAMJ-E	R (Rubber)	50	65	70	42	56	28	6.5	22	47	20	21	21	2	300	380	400	180	165	150					
			65	82	70	42	56	28	6.5	23	56	21	27	65	21	400	450	500	285	215	200					
			75	92	100	58	82	40	8.8	31	82	25	28	25	2.3	500	600	600	600	465	420					
			50	65	82	70	42	56	28	6.5	-	-	20	21	21	2	300	380	400	140	120	110				
			75	92	100	58	82	40	8.8	-	-	21	21	21	2	400	450	500	230	160	145					
Fixed	CHAMK-E	U (Urethane)	50	65	70	42	56	28	6.5	-	-	20	21	21	2	300	380	400	195	145	135					
			75	92	100	58	82	40	8.8	-	-	21	21	21	2	400	450	500	230	160	145					
			50	65	82	70	42	56	28	6.5	-	-	25	28	25	2.3	500	600	600	505	345	325				
			75	92	100	58	82	40	8.8	-	-	27	65	21	2	400	450	500	320	250	230					
			50	65	82	70	42	56	28	6.5	22	47	20	21	21	2	300	380	400	205	185	170				
Swivel with Stopper	CHAMS-E	N (Nylon)	65	82	70	42	56	28	6.5	23	56	21	21	2	400	450	500	285	215	215						
			75	92	100	58	82	40	8.8	27	65	21	21	2	400	450	500	320	250	230						
			50	65	82	70	42	56	28	6.5	25	56	21	21	2	500	600	600	670	525	475					



Main Body	Part Number Type	Wheel Material	H	A	C	F1	F2	G1	G2	d	E	r	B				t	Allowable Load (N)				Mass (g)				Unit Price		
													R	U	N	t		R	U	N	G	R	U	N	R	U	N	
Swivel	CHAMJ-S	R (Rubber)	50	70	70	58	55	-	42	-	8.8	27	53	28	25	28	2.3	500	600	600	325	305	290					
			65	85	70	58	55	-	42	-	8.8	28	66	25	26	25	3.0	600	700	800	420	345	325					
			75	132	90	90	71	68	71	68	-	11	32	83	32	32	3.2	1200	1000	1200	920	790	770					
			125	168	102	102	80	75	80	75	-	11	40	105	38	40	40	3.0	1500	1300	1500	1055	1465	1315				
			150	190	102	102	80	75	80	75	-	11	40	115	40	40	3.2	1600	1400	1600	1170	1585	1490					
Fixed	CHAMK-S	U (Urethane)	50	70	70	47	55	-	28	-	8.8	-	-	25	28	2.3	500	600	700	250	200	185						
			65	85	70	47	55	-	28	-	8.8	-	-	25	26	2.3	600	700	800	295	220	200						
			75	132	110	75	90	80	50	45	-	11	32	32	32	2.6	1200	1000	1200	740	610	585						
			125	168	136	100	90	80	50	45	-	11	38	38	38	3.0	1500	1300	1500	1135	1090	945						
			150	190	137	93	112	100	56	53	-	11	40	40	40	2.6	1600	1400	1600	1290	1160	1100						
Swivel with Stopper	CHAMS-S	N (Nylon)	50	70	70	58	55	-	42	-	8.8	27	67	28	25	2.3	500	600	700	345	335	310						
			65	85	70	58	55	-	42	-	8.8	28	68	25	25	3.0	600	700	800	470	380	360						
			75	132	90	90	71	68	71	68	-	11	32	86	32	32	3.2	1200	1000	1200	1005	875	850					
			125	168	102	102	80	75	80	75	-	11	40	108	38	40	3.0	1500	1300	1500	1690	1650	1505					
			150	190	102	102	80	75	80	75	-	11	40	115	40	40	3.2	1600	1400	1600	1875	1750	1700					

Ordering Example: Part Number - Wheel Material
CHAMJ-E75 - U
CHAMJ-S65 - R