
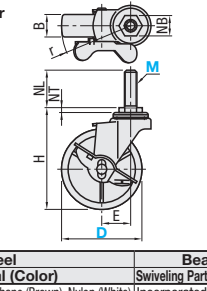


# Screw-In Casters

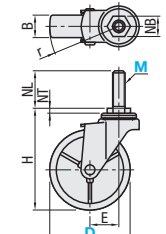
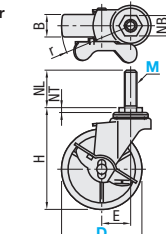
Light / Medium Load



**Swivel HSGN**



**Swivel with Stopper HSGNS**





Main Body		Wheel			Bearing		
M	S	M	M	S	W	W	
SPHC	Trivalent Chromate	Synthetic Rubber (Black), Urethane (Brown), Nylon (White)	Incorporated	None			

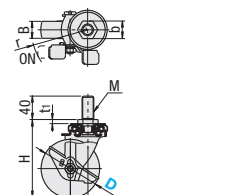
For dedicated wrenches, see P1084.

Main Body	Part Number Type	D	M (Coarse)	Wheel Material	Wheel Width B				H	E	NB	NT	NL	r	Allowable Load (N)			Mass (g)			Unit Price		
					R	U	N	R							U	N	R	U	N	R	U	N	
Swivel Screw-In	HSGN	50	8	R (Rubber)	68	20	21	21	22	14	19	4.8	14	47	300	380	400	195	175	165			
		65	12		85	21	21	21	23	19	27	35	56	400	450	500	270	220	210				
		75	12		95	21	21	21	27	19	27	40	65	400	450	500	310	240	225				
		100	12		126	25	28	25	31	21	23	4	82	500	600	600	585	435	405				
Swivel Screw-In with Stopper	HSGNS	50	8	U (Urethane)	68	20	21	21	22	14	19	4.8	14	49	300	380	400	220	200	190			
		65	12		85	21	21	21	23	19	27	35	57	300	400	400	305	255	235				
		75	12		95	21	21	21	27	19	27	40	65	400	450	500	340	275	250				
		100	12		126	25	28	25	31	21	23	4	82	500	600	600	650	620	585				

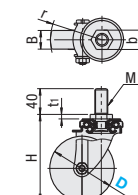
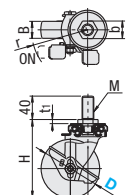
Ordering Example: Part Number - M - Wheel Material  
 HSGN75 - 12 - U



**Swivel CMGN**



**Swivel with Stopper CMGNS**





Main Body		Wheel			Bearing		
M	S	M	M	S	W	W	
SPHC	Trivalent Chromate	Synthetic Rubber (Black), Urethane (Gray), Nylon 6 (White)	Incorporated	N/A	N/A	N/A	

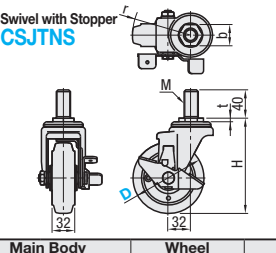
For dedicated wrenches, see P1084.  
 r indicates the swivel radius of the wheel and turning radius of the pedal.

Main Body	Part Number Type	D	Wheel Material	Wheel Width B				H	M (Coarse)	b	t <sub>1</sub>	E	r	Allowable Load (N)			Mass (g)			Unit Price		
				R	U	N	R							U	N	R	U	N	R	U	N	
Screw-In	CMGN	75	R (Rubber)	25	-	25	97	16	23	4	25	63	600	-	800	476	-	390				
		100		32	30	29	134	20	30	7	30	80	1200	1200	1200	1026	1474	1000				
Swivel Screw-In with Stopper	CMGNS	75	U (Urethane)*1	25	-	25	97	16	23	4	25	72	600	-	800	523	-	445				
		100		32	30	29	134	20	30	7	30	98	1200	1200	1200	1133	1690	1100				

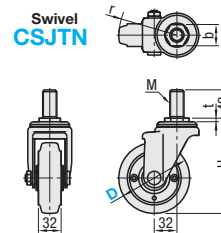
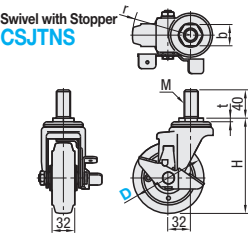
\*1 Urethane wheels are available for D100 only.  
 Ordering Example: Part Number - Wheel Material  
 CMGN75 - R



**Swivel CSJTN**



**Swivel with Stopper CSJTNS**

Main Body		Wheel			Bearing		
M	S	M	M	S	W	W	
SPHC	Trivalent Chromate	Rubber (Black)	Incorporated	Incorporated			

For dedicated wrenches, see P1084.



Main Body	Part Number Type	D	Wheel Material	H	M (Coarse)	b	t	r	Allowable Load (N)	Mass (g)	Unit Price
100B	30	5	810								
125A	23	4.7	1025								
125B	30	5	950								
Swivel Screw-In with Stopper	CSJTNS	100A	R (Rubber)	134	16	23	4.7	86	1200	965	
		100B				30	5			840	
		125A				23	4.7			1115	
		125B				30	5			1040	

Ordering Example: Part Number - Wheel Material  
 CSJTN100B - R


# Screw-In Casters / Side Mount Brackets for Casters / Dedicated Wrenches for Screw-In Casters

Low Profile

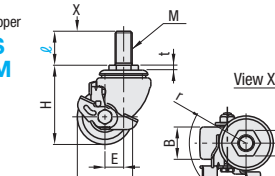
Features: Low installation height with low gravity center that allows users to use them for conveying heavy objects.

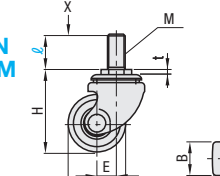
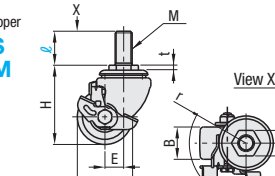
Type	Screw-In	Screw-In with Stopper	D	Wheel		Main Body		Bearing (Wheel Bearing)
				M	S	M	S	
CHJFN		CHJFNS	50A	Special Reinforced Plastic (Black)	SPHC	Trivalent Chromate	-	-
			50B					
			65A					
			65B					
			75A					
CHJNM		CHJNSM	50A	MC Nylon (Blue)	SPHC	Trivalent Chromate	-	
			50B					
			65A					
			65B					
			75A					



**Swivel CHJFN CHJNM**




**Swivel with Stopper CHJFNS CHJNSM**

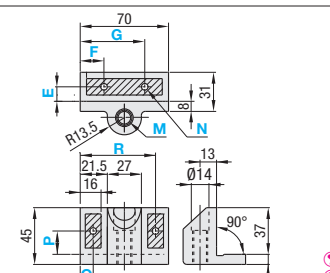
For dedicated wrenches, see underneath.  
 r indicates the swivel radius of the wheel and turning radius of the pedal.

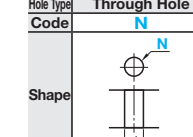
Main Body	Part Number Type	D	l (Thread Length)	M (Coarse)	H	B	b	t	E	r	Allowable Load (N)		Mass (g)	Unit Price	
											Plastic	MC Nylon		CHJFN / CHJFNS (Plastic)	CHJNM / CHJNSM (MC Nylon)
Swivel Screw-In	CHJFN (Plastic) CHJNM (MC Nylon)	40	40	16	74	28	23	7.9	25	51	1000	1000	390		
											1500	1500	430		
											1600	1600	620		
											1600	1600	650		
											1600	1600	760		
Swivel Screw-In with Stopper	CHJFNS (Plastic) CHJNSM (MC Nylon)	80	80	16	74	28	23	7.9	25	65	1000	1000	430		
											1500	1500	470		
											1500	1500	680		
											1500	1500	710		
											1600	1600	830		

\*D50A and D50B have no bearings in the wheels.  
 To improve the swiveling performance, the dust-proof ring shape of the products with D Dimension 65A / 65B / 75A / 75B will be revised since April 1, 2014.  
 Ordering Example: Part Number - l  
 CHJNM65A - 40



**Side Mount Brackets for Casters CPHM**




Hole Type	Through Hole						
Code	N						
Shape							
Machining Specifications	<table border="1" style="width: 100%; border-collapse: collapse;"> <thead> <tr> <th>Dressel</th> <th>Nominal Dia.</th> </tr> </thead> <tbody> <tr> <td>N</td> <td>5 6</td> </tr> <tr> <td>d</td> <td>6 7</td> </tr> </tbody> </table>	Dressel	Nominal Dia.	N	5 6	d	6 7
Dressel	Nominal Dia.						
N	5 6						
d	6 7						

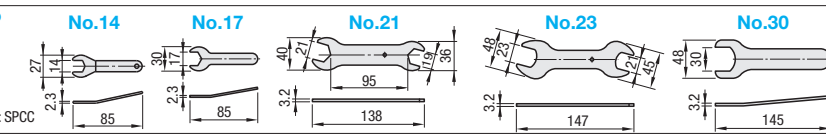
Material: ADC12  
 Surface Treatment: Baked Paint (Silver)  
 Please specify through-hole locations within.  
 Type for Aluminum Extrusions, see P840.

Part Number Type	M (Coarse)	N (Through Hole) Selection	Drilling Position 0.5mm Increment					Mass (g)	Unit Price
			E	F	G	P	Q		
CPHM	10	5 6	8~15	8~28	42~62	8~29	7~13	57~63	135

Ordering Example: Part Number - N - E - F - G - P - Q - R  
 CPHM10 - 5 - E12 - F25.5 - G46.5 - P28 - Q13 - R58



**Dedicated Wrenches for Screw-In Casters PFSP**



Material: SPCC

Part Number Type	No.	Mass (g)	Unit Price
PFSP	14	18	
	17	27	
	21	58	
	23	61	
	30	73	

Ordering Example: Part Number - PFSP14