
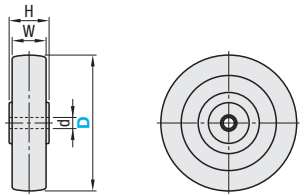


Replacement Wheels for Casters

Wheel Shafts / Grooved Wheels / Caster Holders




GYUL



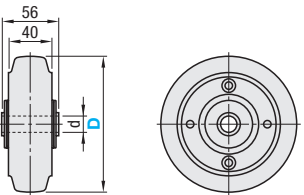
Material: Rubber (Black)
Integrated Bearing: None

Part Number	d	H	W	Allowable Load (N)	Mass (g)	Unit Price
Type	D					1 ~ 50 pcs.
GYUL	25	4.7	14	12	80	7
	32	5.2	16	14	120	23
	38	6.2	20	17	200	28
	40	6.2	21	17	200	29
	50	6.2	24	20	300	54

For orders larger than indicated quantity, please check with WOS.




GYUW

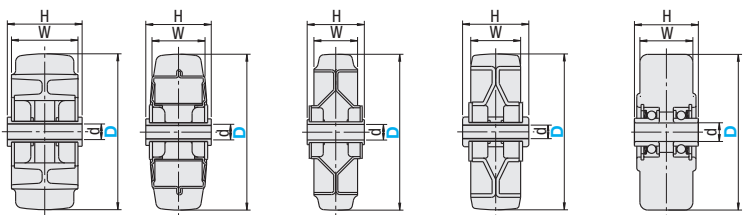


Material: Rubber
Integrated Bearing: Incorporated

Part Number	d	Allowable Load (N)	Mass (g)	Unit Price
Type	D			
GYUW	130	12	1800	571
	150		2000	749
	150A	20	2000	890



RMNA75 (Rubber Wheel) **RMNA100** (Rubber Wheel) **RMNA130 / 150 / 200** (Rubber Wheel) **RNTB** (Urethane Wheel) **RVA** (Monomer Casting Nylon Wheel)




Material (Color): Synthetic Rubber (Black) With Bearing Material (Color): Urethane Rubber (Blue) With Bearing Material (Color): Monomer Cast Nylon (Blue) With Bearing

Part Number	d	H	W	Allowable Load (N)	Mass (g)	Applicable Caster	Unit Price
Type	D						
RMNA (Rubber)	75	10	36	32	800	200	
	100	12	42	32	1200	410	
	130		52	38	1800	750	
	150	20	42	55	2000	1000	
	200		45	45	2500	1750	
RNTB (Urethane)	75	10	35	32	1200	290	CMGJ CMGK CMGS (P.1071)
	100	12	42	32	1700	590	
	130		52	38	2600	960	
	150	20	55	42	3000	1280	
RVA (Monomer Casting Nylon)	75*	10	35.6	32	3600	200	
	100	12	41	34	5200	480	
	130		52	42	8400	790	
150	20	55	44	10000	1060		

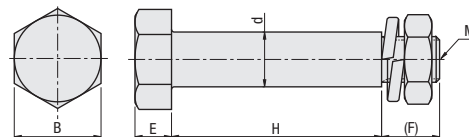
Ordering Example: Part Number RNTB130

Monomer Casting Nylon
In comparison with conventional nylon etc., it is superior in molecular weight and crystallinity. Also, it excels in mechanical properties, friction and chemical resistance.

* Not compatible with screw-in type casters (CMGN and CMGNS).
*: Only for RVA 75, collars (2 pcs.) are included with the shaft part.




KCRB



Component	Material	Surface Treatment
Shaft	SWCH	
Nut (1 pc.)	JIS Class 3	Trivalent Chromate
Spring Washer (1 pc.)	JIS B1251	

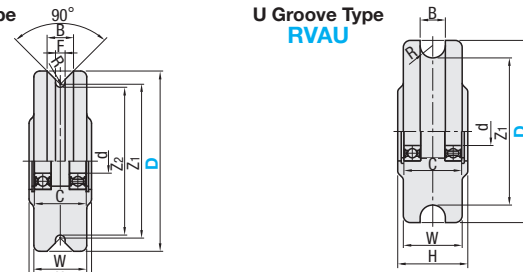
Part Number	d	H	B	(F)	M	E	Unit Price
Type	No.						
KCRB	75	10	38.3	17	10	8	
	100	12	46	19	12.7	10	
	130		55.9	30	19.3	14	
	150	20	60		17.3	13	

Ordering Example: Part Number KCRB130



Grooved Wheels

V Groove Type RVAB **U Groove Type RVAU**



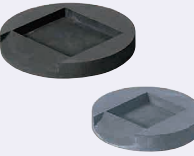
* Bearing Accuracy: JIS B 1514 Class 0
* Bearings (2 pcs.) are press-fit.

Type	Body Material	Retaining Ring
V Groove	MC Nylon	Spring Steel
U Groove	Electrically Conductive MC Nylon	

Groove Shape	Part Number Type	Wheel Material	d	R	Groove Depth		F	H	W	B	C	Bearing (2 pcs.)	Allowable Load (N)	Mass (g)	Unit Price		
					Z1	Z2									M (MC Nylon)	D (Electrically Conductive MC Nylon)	
V Groove	RVAB	M (MC Nylon) D (Electrically Conductive MC Nylon)	75	10	2.5	59	55	5	36	32	16	29.3	6200ZZ	3530	210		
			100	12	83	79	8	38	34	17	31	6201ZZ	5099	360			
			130	20	109	104	50	42	21	41.2	6004ZZ	8238	740				
			150		128	123	52	44	22	43.2	6204ZZ	9807	870				
			150														
U Groove	RVAU	M (MC Nylon) D (Electrically Conductive MC Nylon)	75	10	8	59	-	-	36	32	16	29.3	6200ZZ	3530	210		
			100	12	8.5	83	-	-	38	34	17	31	6201ZZ	5099	360		
			130	20	10.5	109	-	-	50	42	21	41.2	6004ZZ	8238	740		
			150		11	128	-	-	52	44	22	43.2	6204ZZ	9807	870		
			150														

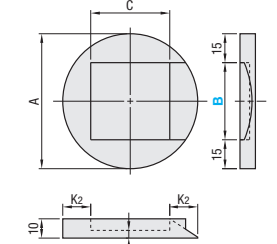
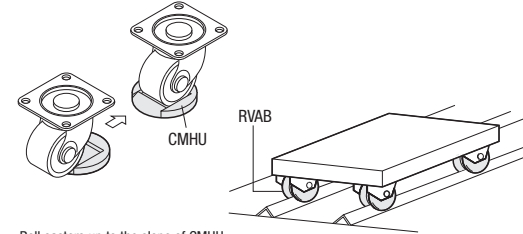
Ordering Example: Part Number RVAB75 - Wheel Material M

MC nylon stands for monomer cast nylon MonoCast®. MonoCast® is a registered trademark of Nippon Polypenco Ltd.



Caster Holders

Type	Material	Hardness
CMHU	EPDM (Gray)	Shore A80
CMHD	Electrically Conductive Rubber (Black)	

Roll casters up to the slope of CMHU to a stopped position.

Part Number	A	C	K2	Allowable Load (N)	Applicable Caster Wheel Width (Reference)	Mass (g)	Unit Price
Type	B						
CMHU CMHD (Electrically Conductive Rubber)	30	60	33	8000	28	30	
	40	70	41		38	35	
	50	80	43		48	45	

Ordering Example: Part Number CMHU50