


Antivibration Pads

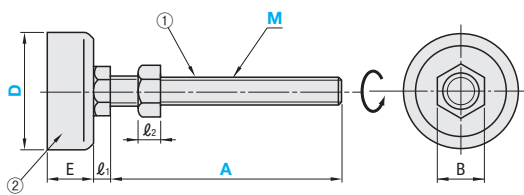
-Light Load-

Light Load



FBF
FBFM
FBFS (Stainless Steel)

RoHS10



Type	① Main Body		② Rubber	
	Material	Surface Treatment	Material (Color)	Hardness
FBF	SS400 Equivalent	Trivalent Chromate	Chloroprene Rubber (Black)	Hs70
FBFM			Non-Staining Chloroprene Rubber (Gray) Electrically Conductive Rubber (Black)*	
FBFS	SUS304	-	Chloroprene Rubber (Black)	

* Electrically conductive rubber has an identification mark on the back side.

Part Number Type	D	M (Coarse)	A			FBFM Rubber Material	l ₁	l ₂	E	B	Vertical Load Range (kN)	Static Compression Spring Constant Value (kN/mm)
			30	50	70							
FBF FBFM FBFS (Stainless Steel)	33	8	30	50		C (Non-Contaminating Chloroprene Rubber, Gray)	4.5	6.5	12	13	0.4~0.59	0.49±15%
		10	30	50	70		6.0	8.0				
	40	10	30	50	70	D (Electrically Conductive Rubber, Black)			8.0	10.0	15	19
		12	50	70	100							

* Rubber type is not selectable for FBF and FBFS (Chloroprene rubber only).

Ordering Example

Part Number - M - A - Rubber Material

FBF33 - 10 - 50


FBFM40 - 12 - 100 - C

D	M (Coarse)	Unit Price											
		A30			A50			A70			A100		
		FBF	FBFM	FBFS	FBF	FBFM	FBFS	FBF	FBFM	FBFS	FBF	FBFM	FBFS
33	8												
	10												
40	10												
	12												

Antivibration Pads

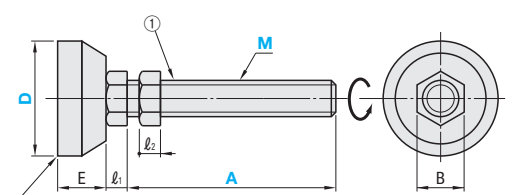
Heavy Load

Heavy Load



FBR
FBRM
FBRS (Stainless Steel)

RoHS10



Type	① Main Body		② Rubber	
	Material	Surface Treatment	Material (Color)	Hardness
FBR	SS400 Equivalent	Trivalent Chromate	Chloroprene Rubber (Black)	Hs70
FBRM			Non-Staining Chloroprene Rubber (Gray) Electrically Conductive Rubber (Black)*	
FBRS	SUS304	-	Chloroprene Rubber (Black)	

* Electrically conductive rubber has an identification mark on the back side.

Part Number Type	D	M (Coarse)	A				FBRM Rubber Material	l ₁	l ₂	E	B	Vertical Load Range (kN)	Static Compression Spring Constant Value (kN/mm)
			70	100	130	150							
FBR FBRM FBRS (Stainless Steel)	60	12	70	100	130	C (Non-Staining Chloroprene Rubber, Gray)	10	10	25	24	1.47~2.94	2.94±15%	
		16	70	100	130		150	180					
		20	100	130	150		180						
	70	16	70	100	(130)	150	(180)	10	13	29	24	2.45~4.41	4.41±15%
		20	100	(130)	(150)	(180)	13	16	30				
		20	100	130	(150)	(180)	10	13	32				
90	16	(70)	100	130	(150)	(180)	13	16		30			
FBR FBRM	100	16	70	100	130	150	180	10	13	35	24	3.43~6.86	7.35±15%
		20	100	130	150	180	13	16	30				
	120	16	70	100	150	180	10	13	37	24	5.88~11.76	10.29±15%	
		20	100	130	150	180	13	16					30

A dimension in () are not available for FBRS. * M12 is available for FBR only. Wrench flats of the included nut are 19 mm.
* Rubber type is not selectable for FBR and FBRS (Chloroprene rubber only). kgf (Load) = N x 0.101972

Ordering Example

Part Number - M - A - Rubber Material

FBR60 - 16 - 100

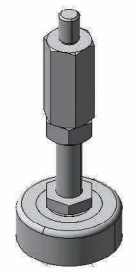
FBRM60 - 16 - 100 - C

Example

Combination of these app. examples can be selected on our website. Selection Detail **#P87**

*Enter the search keyword in the search box on e-Catalog. The search result will be shown in "Modular Assembler" area.

e-Catalog Search Keyword
#MA663



D	M (Coarse)	Unit Price														
		A70			A100			A130			A150			A180		
		FBR	FBRM	FBRS	FBR	FBRM	FBRS	FBR	FBRM	FBRS	FBR	FBRM	FBRS	FBR	FBRM	FBRS
60	12															
	16															
	20															
70	16															
	20															
90	16															
	20															
100	16															
	20															
120	16															
	20															