

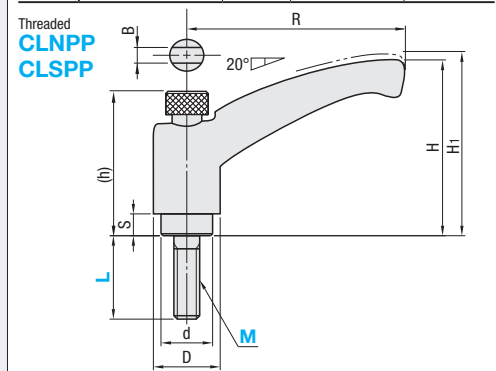
# Push Button Plastic Clamp Levers / Disengaging Plastic Clamp Levers

# Ratchet Clamp Levers / Quick Levers

## Push Button Plastic Clamp Levers

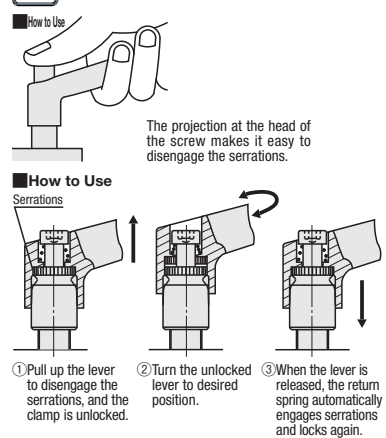


Type	Lever Material	Screw Material Surface Treatment	Spring Material
CLNPP	Nylon 6 (Mat Black)	SUM22L Black Oxide	SUS304-WPB
CLSPP	-	SUS303	-



RoHS10

### EX Example

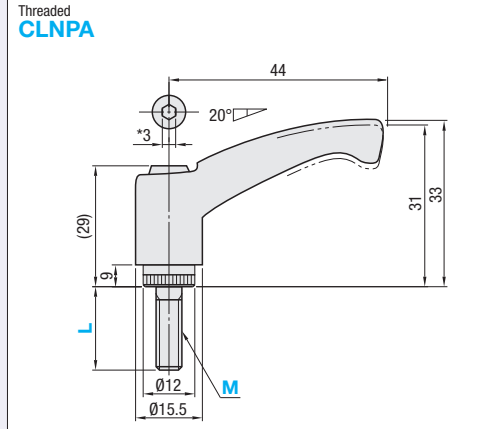


Part Number Type	M	L Selection	R	H	H1	(h)	S	D	d	Number of Serrated Teeth	B	Max. Load Fmax. (N)	Max. Tightening Force Pmax. (kN)	Reference Mass (g)	Unit Price	
															CLNPP	CLSPP
Threaded CLNPP CLSPP	4	20	48	33.5	35.5	30	3	13	10	16	1.3	21	1.7	18		
	5	12 16 20 25 32										42	2.7			
	6	12 16 20 25 32 40	65	44.5	46.5	40.5	3.5	18	14	20	1.3	70	3.8	20		
	8	16 20 25 32 40 50										120	7		40	
	10	20 25 32 40 50	92	64	66	56	6.5	25	19	28	1.3	200	11	80		
	12	25 40										290	16		120	

## Disengaging Plastic Clamp Levers

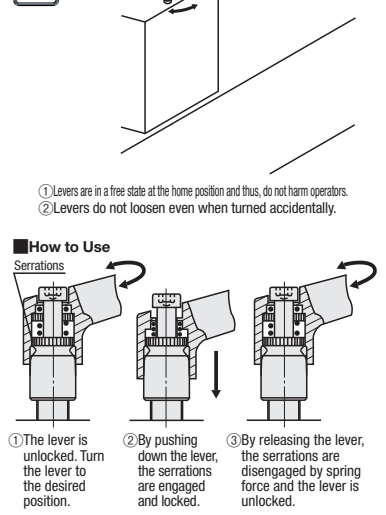


Type	Lever Material	Screw Material Surface Treatment	Spring Material
CLNPA	Nylon 6 (Mat Black)	SUM22L Black Oxide	SUS304-WPB



RoHS10

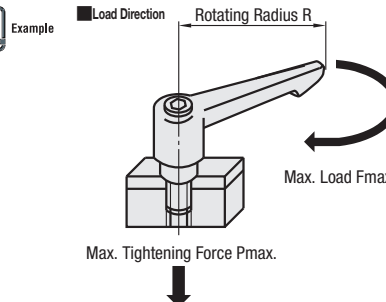
### EX Example



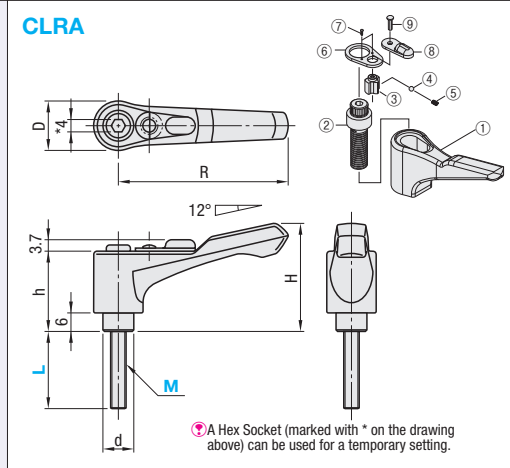
Part Number Type	M	L Selection	Number of Serrated Teeth	Max. Load Fmax. (N)	Max. Tightening Force Pmax. (kN)	Reference Mass (g)	Unit Price
Threaded CLNPA	4	12 20	16	21	1.7	18	
	5	12 16 20 25 32		42	2.7		
	6	12 16 20 25 32		70	3.8		20

Ordering Example: Part Number - L  
CLNPP4 - 20  
CLNPA4 - 12

### EX Example



## Ratchet Clamp Levers



RoHS10

### EX Example

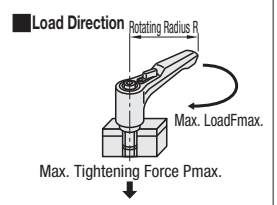
In Use	Ratchet Operation
(a) Clamp	Clamps the screw by a right rotation of Levers. (Rotates free in left direction)
(b) Clamped Status	Lever is free in both directions.
(c) Unclamp	Loosens the screw by a left rotation of Levers. (Rotates free in right direction)

Direction of ratchet mechanism can be easily changed by switching the position of tab of the switch button. By setting the switch button to the (b) tab position after clamping, lever is released in both rotational directions and prevents accidental loosening.

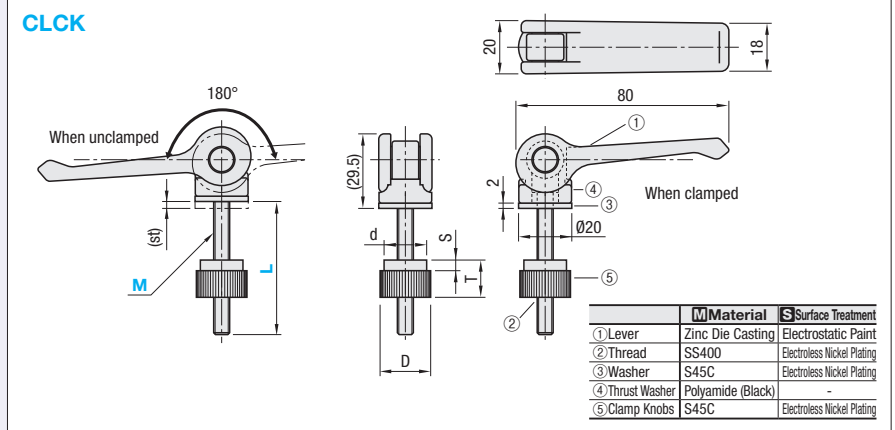
	Material	Surface Treatment
① Lever	Zinc Die Casting	Electrostatic Paint
② Geared Screw	S45C	Black Oxide
③ Cam	SCM435	Black Oxide
④ Ball	SUJ2	Nickel Plating
⑤ Spring	SWPA	Tempered, Rustproof Coated
⑥ Cap	SPCC	Black Oxide
⑦ Screw	S10C	Black Oxide
⑧ Switch Handle	SPCC	Black Oxide
⑨ Screw	S10C	Black Oxide

Part Number Type	M	L Selection	Lever Color	R	H	h	D	d	Fmax. Max. Load (N)	Pmax. Max. Tightening Force (kN)	Reference Mass (g)	Unit Price
CLRA	5	16 25	B (Black)	55	35	26	17	10	108	4.8	61	
	6	20 32							184	6.8		63
	8	25 40							316	12.5		101
	10	32 50							507	19.8		112

Ordering Example: Part Number - L - Lever Color  
CLRA 5 - 25 - B



## Quick Levers



RoHS10

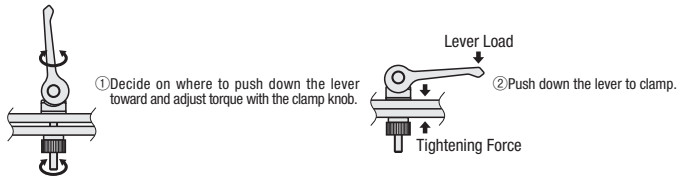
	Material	Surface Treatment
① Lever	Zinc Die Casting	Electrostatic Paint
② Thread	SS400	Electroless Nickel Plating
③ Washer	S45C	Electroless Nickel Plating
④ Thrust Washer	Polyamide (Black)	-
⑤ Clamp Knobs	S45C	Electroless Nickel Plating

Part Number Type	M	L Selection	Lever Color	(st)	D	d	T	S	Reference Mass (g)	Unit Price	Tightening Force (N)	Lever Load (N)
CLCK	5	30 40	B (Black)	2.6	16	14	12	4	122		1000	18
	6	40 50								2000	36	
	8	50 60								3000	78	

Ordering Example: Part Number - L - Lever Color  
CLCK 6 - 40 - B

### EX Example

## Quick Levers



### Tightening Force / Lever Load Correlation

