


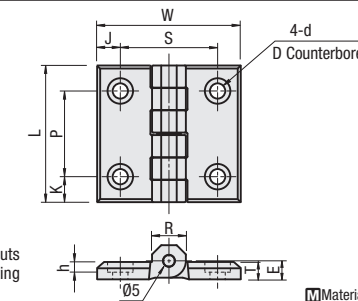
Plastic Hinges / Compact Plastic Hinges / Low Dust Generation Hinges

Hinges with Offset Mounting Holes / Stepped Stainless Steel Hinges / Spring Hinges

Plastic Hinges



HHPSJ



4-d
D Counterbore

⚠ For HHPSJ8 and HHPSJ845, the hinge nuts on P.1199 are recommended when mating to panels, etc.


RoHS10

Material: Hinge Plate: Nylon 6, Shaft: SUS304

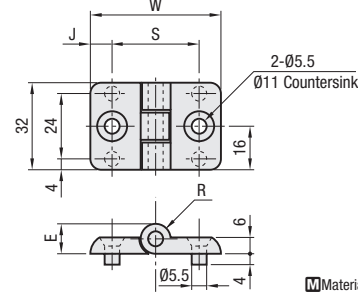
Part Number Type	No.	Color	* Allowable Load		Mass (g)	L	W	K	P	J	S	D	d	T	E	R	h	Unit Price 1 ~ 9 pc (s).	Volume Discount Rate 10~50
			kg	N															
HHPSJ	6	B (Black)	10	96	21	48	47	9	30	8	32	9.5	5.5	6	6.5	12.6	3.8		
	8	W (White)	15	147	35	59	62	11	37	10	42	11	6.6	7.5	8	14.5	4.4		

*The allowable load is the value when 2 pieces are used. ⚠ The default color is black unless specified.

Compact Plastic Hinges



HHPSJC



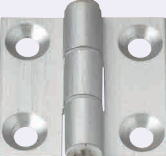
2-Ø5.5
Ø11 Countersink

Material: Hinge Plate: Nylon 6, Shaft: SUS304

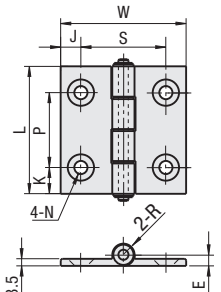
Part Number Type	No.	* Allowable Load		Mass (g)	W	J	S	E	R	Unit Price 1 ~ 9 pc (s).	Volume Discount Rate 10~100
		kg	N								
HHPSJC	5	10	98	12.5	36	7.5	21	10	5		
	6	10	98	15.8	48	8	32	11	5.5		
	8	10	98	26.2	62	10	42	11	5.5		

*The allowable load is the value when 2 pieces are used.

Low Dust Generation Hinges



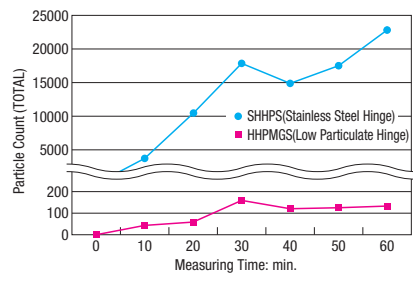
HHPMGS



4-N
2-R

Material: A6063S-T5
Bushing: Oil Soaked Polyacetal
Surface Treatment: Electroless Nickel Plating

RoHS10



Particle Count (TOTAL)

Measuring Time: min.

● SHHPS(Stainless Steel Hinge)
■ HHPMGS(Low Particulate Hinge)

Features


- Superior in friction resistance and sliding properties with low dust generation compared to the conventional hinges, since the sliding section is made from the special material (oil embedded Polyacetal).
- The aluminum part is electroless nickel plated instead of conventional clear anodizing. This provides an excellent electric conductivity, resulting in less dust collection.
- The hinge nuts on P.1199 are recommended when mating to panels, etc.

Part Number Type	No.	* Allowable Load		Mass (g)	L	W	K	P	J	S	N		E	R	Unit Price 1 ~ 8 pc (s).	Volume Discount Rate 9~50
		kg	N								Through	Countersink				
HHPMGS	5	10	98	22	47	36	11	25	7.5	21	5.5	11	5	5		
	6	10	98	33	47	48	8.5	30	8	32	6.5	13	5.5	5.5		
	8	10	98	48	63	62	13	37	10	42	6.5	13	5.5	5.5		

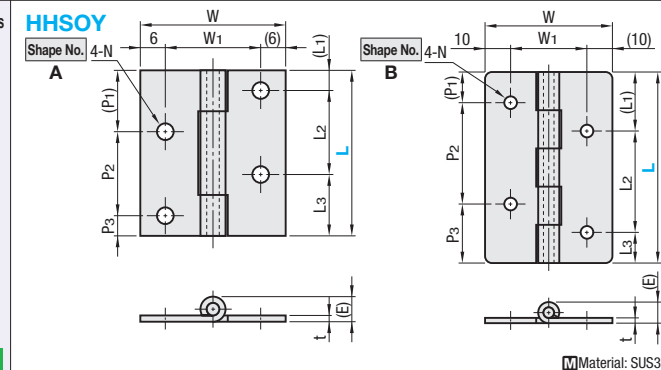
*The allowable load is the value when 2 pieces are used.

Ordering Example: Part Number - Color
HHPSJ6 - B
HHPSJC8 - W
HHPMGS8 - B

Hinges with Offset Mounting Holes



HHSOY



Shape No. 4-N
A
B

Material: SUS304

RoHS10

Example

Hinges with Offset Mounting Holes


The heads of the screws do not contact each other.

Other Hinges

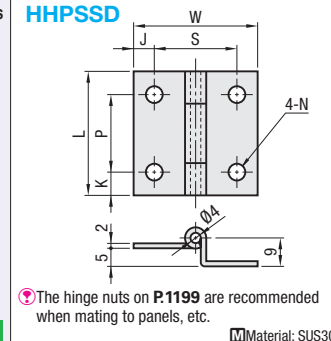
Part Number Type	L	Shape	L1	L2	L3	W	W1	P1	P2	P3	N	t	E	* Allowable Load (N)	Weight (g)	Unit Price 1 ~ 9 pc (s).	Volume Discount Rate 10~200
HHSOY	40	A	5	20	15	35	23	15	20	5	4.2	1.5	6.3	58.8	21.6		
	50	A	5.5	26	18.5	50	23	18.5	26	5.5	4.2	1.5	6.3	78.4	27.3		
	75	B	23	40	12	50	30	12	40	23	5	2	8.8	147	75.7		

*The allowable load is the value when 2 pieces are used.

Stepped Stainless Steel Hinges



HHSSD




4-N

Material: SUS304

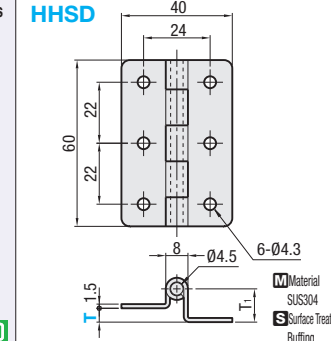
RoHS10

⚠ The hinge nuts on P.1199 are recommended when mating to panels, etc.

Stepped Stainless Steel Hinges



HHSD



6-Ø4.3

Material: SUS304
Surface Treatment: Buffing

RoHS10


Part Number Type	L	W	K	P	J	S	N	* Allowable Load (kg)	Weight (g)	Unit Price 1 ~ 19 pc (s).	Volume Discount Rate 20~200
HHSSD	5	41	36	8	25	7.5	21	5.5	4.5	32	
	6	48	48	9	30	8	32	6.5	6	46	

*The allowable load is the value when 2 pieces are used.

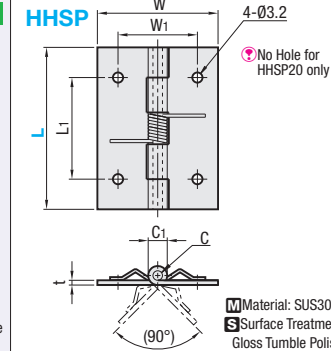
Part Number Type	T	T1	* Allowable Load (kg)	Weight (g)	Unit Price 1 ~ 19 pc (s).	Volume Discount Rate 20~100
HHSD	1.2	8.2	7	38		
	2.3	9.3				
	3.2	10				
	5	12				

*The allowable load is the value when 2 pieces are used.

Spring Hinges



HHSP



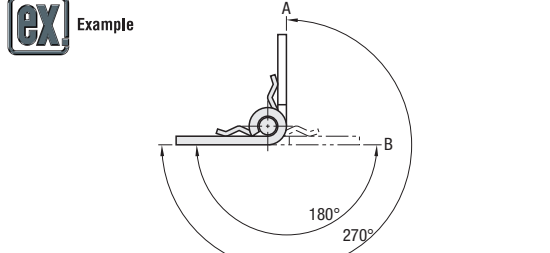
4-Ø3.2
No Hole for HHSP20 only

Material: SUS304
Surface Treatment: Gloss Tumble Polish

RoHS10

The photo shows a spring-loaded hinge in uninstalled condition (free state).

Example



Spring load is a value at (A) with the hinge plates folded at 270° as shown above.
Only for HHSP20, the value is measured at a 180° angle position (B).
Do not open the HHSP20 hinge plates beyond 180° (B). Small wire diameter spring may cause problems.

Part Number Type	L	W	W1	L1	C	C1	t	* Allowable Load (kgf)	Torque (kgf-cm)	Weight (g)	Unit Price 1 ~ 39 pcs.	Volume Discount Rate 40~100 pcs.
HHSP	20	14	-	-	1	(2.2)	0.5	1	0.99	1.5		
	25	32	20	14	3	5.8	1.2	3	0.66	10		
	38	32	20	26	3	6.5	1.5	6	1.5	20		
	51	38	25	32	3	6.5	1.5	7	1.38	35		

*The allowable load is the value when 2 pieces are used.

*The allowable load is the value when 2 pieces are used.

Ordering Example: Part Number
HHSOY40
HHSSD6
HHSD3.2
HHSP38