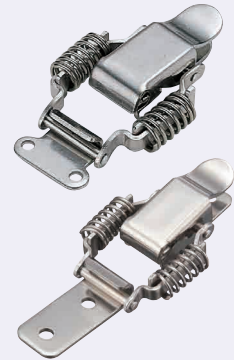


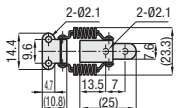
# Draw Latches

# Covered Draw Latches / Draw Latches for Medium Loads

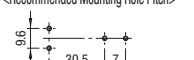
**Draw Latches** RoHS10



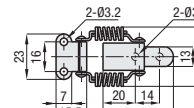
**PKBSA**




<Recommended Mounting Hole Pitch>



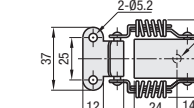
**PKBS1**




<Recommended Mounting Hole Pitch>



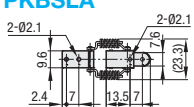
**PKBS2**



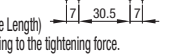
<Recommended Mounting Hole Pitch>



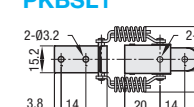
**PKBSLA**



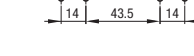
<Recommended Mounting Hole Pitch>



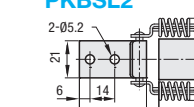
**PKBSL1**



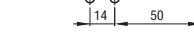
<Recommended Mounting Hole Pitch>



**PKBSL2**



<Recommended Mounting Hole Pitch>




\* The dimensions in ( ) are for 0mm pull distance. (Free Length)  
Mounting dimensions can be adjusted optionally according to the tightening force.


Part Number Type	No.	* Pull Force N (kgf)	PKBS Mass (g)	PKBSL Mass (g)	Unit Price 1 ~ 9 pc (s)	Volume Discount Rate 10~19	Volume Discount Rate 20~200
PKBS	A	20(2)	10	10			
PKBSL	1	68(7)	36	40			
PKBSL	2	170(17.4)	78	90			

\* Pull force is the reference value for 1mm pull distance.


**Draw Latches** RoHS10




**PKWS1 (Stainless Steel)**




<Recommended Mounting Hole Pitch>




**PKWS2 (Stainless Steel)**




<Recommended Mounting Hole Pitch>




**PKWS3 (Stainless Steel)**




<Recommended Mounting Hole Pitch>



**PKWS4 (Stainless Steel)**



<Recommended Mounting Hole Pitch>



Recommended screws:  
Cross Recessed Pan Head Screws M2.0

Recommended screws:  
Cross Recessed Flat Head Machine Screws M2.5

Recommended screws:  
Cross Recessed Flat Head Machine Screws M2.5


Recommended screws:  
Cross Recessed Flat Head Machine Screws M2.5

\* The dimensions are for 0mm pull distance. (Recommended mounting dimension)

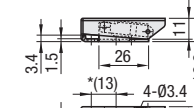
Part Number Type	No.	* Pull Force N (kgf)	Mass (g)	Unit Price 1 ~ 49 pc (s)	Volume Discount Rate 50~200
PKWS	1	49(5)	11		
PKWS	2	78(8)	12		
PKWS	3	98(10)	18		
PKWS	4	147(15)	37		

\* Pull force is the reference value for 1mm pull distance.


**Covered Draw Latches** RoHS10



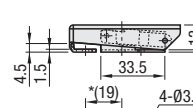
**PKCS1**




<Recommended Mounting Hole Pitch>



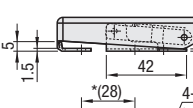
**PKCS2**




<Recommended Mounting Hole Pitch>



**PKCS3**



<Recommended Mounting Hole Pitch>


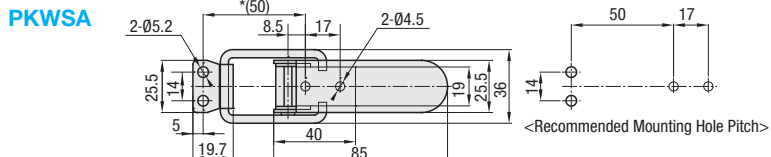


\* The dimensions are for 0mm tightening amount.

Part Number Type	No.	* Pull Force N (kgf)	Mass (g)	Unit Price 1 ~ 9 pc (s)	Volume Discount Rate 10~50
PKCS	1	12 (1.2)	25		
PKCS	2	69 (7)	53		
PKCS	3	81 (8.3)	115		

\* Pull force is the reference value for 1mm pull distance.

**Stainless Steel Draw Latches for Medium Loads** RoHS10

<Recommended Mounting Hole Pitch>


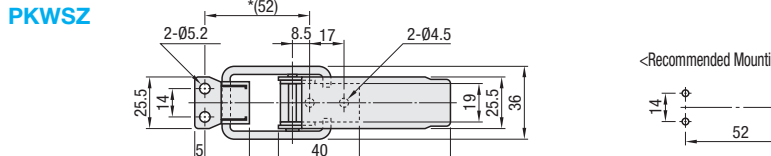
\* The dimensions are for 0mm tightening amount.

Part Number Type	No.	* Pull Force N (kgf)	Mass (g)	Unit Price 1 ~ 9 pc (s)	Volume Discount Rate 10~29	Volume Discount Rate 30~49	Volume Discount Rate 50~200
PKWSA	1	245 (25)	80				

\* Pull force is the reference value for 1mm pull distance.

Ordering Example **PKWSA1**

**Draw Latches for Medium Loads** RoHS10

<Recommended Mounting Hole Pitch>

\* The dimensions are for 0mm tightening amount.

Part Number Type	No.	* Pull Force N (kgf)	Mass (g)	Unit Price 1 ~ 9 pc (s)	Volume Discount Rate 10~29	Volume Discount Rate 30~49	Volume Discount Rate 50~200
PKWSZ	1	245 (25)	79				

\* Pull force is the reference value for 1mm pull distance.

Ordering Example **PKWSZ1**