
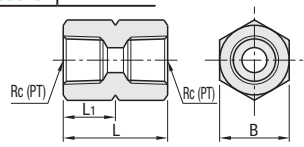

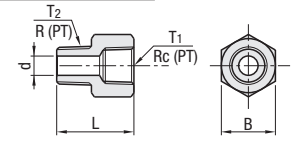

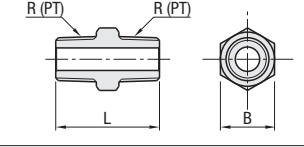

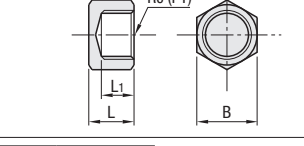

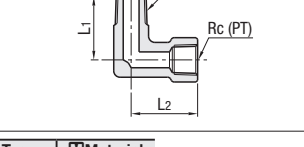

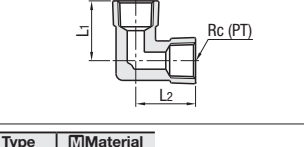

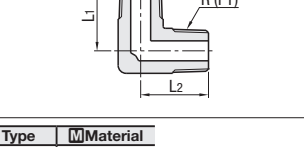

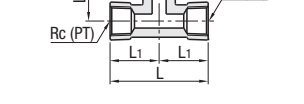


# Screw Fittings

Brass

<b>Sockets</b> 	<b>Type</b> SJSFS <b>Material</b> C3604	
	RoHS10	
<b>Female/Male Sockets</b> 	<b>Type</b> SJSXS <b>Material</b> C3604	
	RoHS10	
<b>Nipples</b> 	<b>Type</b> SJSRN <b>Material</b> C3604	
	RoHS10	
<b>Caps</b> 	<b>Type</b> SJSXP <b>Material</b> C3604	
	RoHS10	
<b>Female/Male Elbows</b> 	<b>Type</b> SJSXL <b>Material</b> C3771	
	RoHS10	
<b>Elbows</b> 	<b>Type</b> SJSFL <b>Material</b> C3771	
	RoHS10	
<b>Male Elbows</b> 	<b>Type</b> SJSML <b>Material</b> C3771	
	RoHS10	
<b>Tees</b> 	<b>Type</b> SJSFT <b>Material</b> C3771	
	RoHS10	

Part Number	Rc (PT)	L	L1	B	Unit Price	Volume Discount Rate
Type	No.					
SJSFS	6A	1/8	21	10.5	14	
	8A	1/4	28	14	17	
	10A	3/8	32	16	21	
	15A	1/2	40	20	26	

For orders larger than indicated quantity, please check with WOS.

Part Number	Rc (PT)	R (PT)	L	d	B	Unit Price	Volume Discount Rate
Type	No.	T1	T2				
SJSXS	6A	1/8	1/8	20	5	14	
	8A	1/4	1/4	24	8	17	
	10A	3/8	3/8	28	11	21	
	15A	1/2	1/2	33	15	26	

For orders larger than indicated quantity, please check with WOS.

Part Number	R (PT)	L	B	Unit Price	Volume Discount Rate
Type	No.				
SJSRN	6A	1/8	22	12	
	8A	1/4	28	14	
	10A	3/8	33	17	
	15A	1/2	38	22	

For orders larger than indicated quantity, please check with WOS.

Part Number	Rc (PT)	L	L1	B	Unit Price	Volume Discount Rate
Type	No.					
SJSXP	6A	1/8	9	7	12	
	8A	1/4	11	9	16	
	10A	3/8	14	12	19	
	15A	1/2	15	13	24	

For orders larger than indicated quantity, please check with WOS.

Part Number	R, Rc (PT)	L1	L2	Unit Price	Volume Discount Rate
Type	No.				
SJSXL	6A	1/8	19	22	
	8A	1/4	24	25	
	10A	3/8	28	29	
	15A	1/2	32	34	

For orders larger than indicated quantity, please check with WOS.

Part Number	Rc (PT)	L1	L2	Unit Price	Volume Discount Rate
Type	No.				
SJSFL	6A	1/8	22	22	
	8A	1/4	25	25	
	10A	3/8	29	29	
	15A	1/2	34	34	


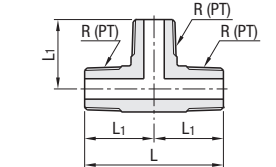
For orders larger than indicated quantity, please check with WOS.


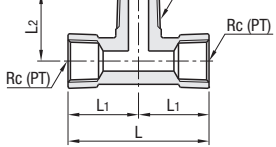
Part Number	R (PT)	L1	L2	Unit Price	Volume Discount Rate
Type	No.				
SJSML	6A	1/8	17	17	
	8A	1/4	22	22	
	10A	3/8	25	25	
	15A	1/2	29	29	


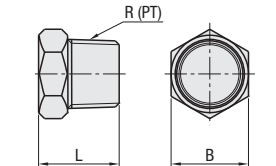
For orders larger than indicated quantity, please check with WOS.


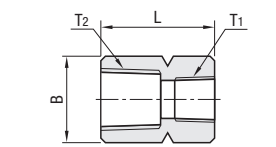
Part Number	Rc (PT)	L	L1	Unit Price	Volume Discount Rate
Type	No.				
SJSFT	6A	1/8	44	22	
	8A	1/4	50	25	
	10A	3/8	58	29	
	15A	1/2	68	34	


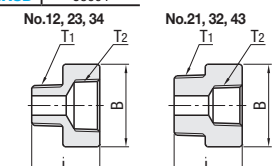
For orders larger than indicated quantity, please check with WOS.


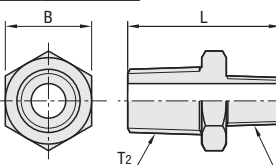
<b>Male Tees</b> 	<b>Type</b> SJSMT <b>Material</b> C3771	
	RoHS10	


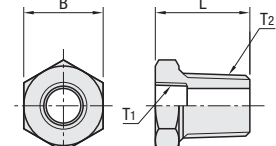
<b>Female/Male Tees</b> 	<b>Type</b> SJSXT <b>Material</b> C3771	
	RoHS10	

<b>Plugs</b> 	<b>Type</b> SJSXP <b>Material</b> C3604	
	RoHS10	

<b>Reducing Hex Sockets</b> 	<b>Type</b> SJSFSD <b>Material</b> C3604	
	RoHS10	

<b>Reducing Female/Male Sockets</b> 	<b>Type</b> SJSXSD <b>Material</b> C3604	
	RoHS10	

<b>Reducing Hex Nipples</b> 	<b>Type</b> SJSRND <b>Material</b> C3604	
	RoHS10	

<b>Bushings</b> 	<b>Type</b> SJSXP <b>Material</b> C3604	
	RoHS10	

Part Number	R (PT)	L	L1	Unit Price	Volume Discount Rate
Type	No.				
SJSMT	6A	1/8	34	17	
	8A	1/4	44	22	
	10A	3/8	50	25	
	15A	1/2	58	29	

For orders larger than indicated quantity, please check with WOS.

Part Number	R Rc (PT)	L	L1	L2	Unit Price	Volume Discount Rate
Type	No.					
SJSXT	6A	1/8	44	22	19	
	8A	1/4	50	25	24	
	10A	3/8	58	29	28	
	15A	1/2	68	34	32	

For orders larger than indicated quantity, please check with WOS.

Part Number	R (PT)	L	B	Unit Price	Volume Discount Rate
Type	No.				
SJSXP	6A	1/8	14	12	
	8A	1/4	18	16	
	10A	3/8	21	19	
	15A	1/2	25	21	

For orders larger than indicated quantity, please check with WOS.

Part Number	Rc (PT)	L	B	Unit Price	Volume Discount Rate
Type	No.	T1	T2		
SJSFSD	12	1/8	1/4	26	17
	13	1/8	3/8	28	21
	23	1/4	3/8	30	21
	24	1/4	1/2	36	26
	34	3/8	1/2	38	26
	36	3/8	3/4	44	32

For orders larger than indicated quantity, please check with WOS.

Part Number	R (PT)	Rc (PT)	L	B	Unit Price	Volume Discount Rate
Type	No.	T1	T2			
SJSXSD	12	1/8	1/4	22	17	
	21	1/4	1/8	22	14	
	23	1/4	3/8	26	21	
	32	3/8	1/4	26	17	
	34	3/8	1/2	31	26	
	43	1/2	3/4	30	22	

For orders larger than indicated quantity, please check with WOS.

Part Number	R (PT)	L	B	Unit Price	Volume Discount Rate
Type	No.	T1	T2		
SJSRND	12	1/8	1/4	26	14
	13	1/8	3/8	29	17
	23	1/4	3/8	31	17
	24	1/4	1/2	34	22
	34	3/8	1/2	36	22
	36	3/8	3/4	41	27



For orders larger than indicated quantity, please check with WOS.

Part Number	Rc (PT)	R (PT)	L	B	Unit Price	Volume Discount Rate
Type	No.	T1	T2			
SJSXP	12	1/8	1/4	16	17	
	13	1/8	3/8	19	19	
	23	1/4	3/8	19	19	
	24	1/4	1/2	21	24	
	34	3/8	1/2	21	24	
	36	3/8	3/4	25	30	

For orders larger than indicated quantity, please check with WOS.

Part Number	Rc (PT)	R (PT)	L	B	Unit Price	Volume Discount Rate
Type	No.	T1	T2			
SJSXP	12	1/8	1/4	16	17	
	13	1/8	3/8	19	19	
	23	1/4	3/8	19	19	
	24	1/4	1/2	21	24	
	34	3/8	1/2	21	24	
	36	3/8	3/4	25	30	

For orders larger than indicated quantity, please check with WOS.

 <b>Fitting Specifications</b>	<b>Operating Temperature Range</b> -50 ~ 150°C (No Freezing) <b>Max. Operating Pressure</b> 6.9MPa	 <b>Ordering Example</b> Part Number SJSMT6A
	For orders larger than indicated quantity, please check with WOS.	