

Plastic Hoses for Ordinary Purposes / Flexible Tubes

Coiled Hoses / Air Hoses

■ Plastic Hoses for Ordinary Purposes
Oil-Resistant

HOTRS
HOTRSL

RoHS 10

Construction Diagram

Part Number	Hose Length		I.D. (mm)	O.D. (mm)	Operating Temp. Range (°C)	Operating Pressure (MPa)	Min. Bending Radius (mm)	Mass kg/m	Fixed Length	Configurable Length
	Type	Hose Nominal I.D.							Fixed (m)	Configurable (0.1mm Increment)
HOTRS (Fixed Length)	9	50	9	15	-5~60	0~1.0	45	0.15		
		100								
HOTRSL (Configurable Length)	12	50	12	18	-5~60	0~0.8	60	0.19		
		100								
HOTRSL (Configurable Length)	15	50	15	22	-5~60	0~0.8	90	0.27		
		100								
		19								
		25								

For orders larger than indicated quantity, please check with WOS.

■ Plastic Hoses for Ordinary Purposes
High Strength

HOTG
HOTGL

Construction Diagram

Part Number	Hose Length		I.D. (mm)	O.D. (mm)	Operating Temp. Range (°C)	Operating Pressure (MPa)	Min. Bending Radius (mm)	Mass kg/m	Fixed Length	Configurable Length
	Type	Hose Nominal I.D.							Fixed (m)	Configurable (0.1mm Increment)
HOTG (Fixed Length)	9	50	9	15	-5~60	-0.1~0.8	40	0.14		
		100								
HOTGL (Configurable Length)	12	50	12	18	-5~60	-0.1~0.5	50	0.185		
		100								
HOTGL (Configurable Length)	15	50	15	22	-5~60	-0.1~0.5	60	0.25		
		100								
		19								
		25								

For orders larger than indicated quantity, please check with WOS.

■ Plastic Hoses for Ordinary Purposes
High Pressure

HOTSG
HOTSGL

RoHS 10

Construction Diagram

Part Number	Hose Length		I.D. (mm)	O.D. (mm)	Operating Temp. Range (°C)	Operating Pressure (MPa)	Min. Bending Radius (mm)	Mass kg/m	Fixed Length	Configurable Length
	Type	Hose Nominal I.D.							Fixed (m)	Configurable (0.1mm Increment)
HOTSG (Fixed Length)	9	50	9	15	-5~60	0~1.5	45	0.15		
		100								
HOTSGL (Configurable Length)	12	50	12	18	-5~60	0~1.5	55	0.19		
		100								
HOTSGL (Configurable Length)	15	50	15	22	-5~60	0~1.5	80	0.27		
		100								
		19								
		25								

For orders larger than indicated quantity, please check with WOS.

Ordering Example

Part Number - Hose Length

HOTRSL19 - 45.9

■ Flexible Tubes

HOFBL

Applicable Fluids: Water, Warm Water Max. Operating Temp.: 80°C Material: SUS304 Accessory: MBR Gasket

Part Number	Type	Nominal Dia.	L 5mm Increment	Wrench Flats H1	Wrench Flats H2	B (mm)	R (PT)	Tube I.D. (Reference Value)	Min. Bending Radius (mm)	Max. Operating Pressure (MPa)	Unit Price			
											L105~200	L205~300	L305~400	L405~500
HOFBL		4	105~500	24	22	35	1/2	12	40	1.75				
			115~500											
		6		30	27	42	3/4	15	60					

For Nominal Dia., L dimension is 115 ~.

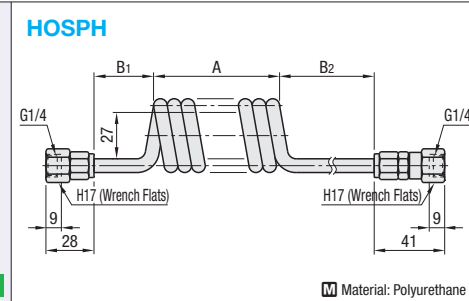
Ordering Example

Part Number - L

HOFBL4 - 150

■ Coiled Hoses

RoHS 10



- Features
- Excellent in flexibility.
 - Excellent in mechanical strength, especially in abrasion resistance.

Specifications

Applicable Fluids	Air
Operating Temperature Range	-40~80°C
Max. Operating Pressure	1.1MPa

Ordering Example

Part Number - Hose Length

HOSP8 - 3000

Part Number	Type	Hose Nominal I.D.	Hose Extension Length (mm)	I.D. (mm)	O.D. (mm)	A	B1	B2	Min. Bending Radius (mm)	O.D. Accuracy	Mass (g)	HOSPH					
												Unit Price 1 pc.	Volume Discount Rate 2~5				
HOSP8	8	8	800	5	8	180	100	500	14	±0.1	200						
			1800	5	8	400	100	500				300					
			3000	5	8	630	100	500				405					
			3700	5	8	800	100	500				490					
			10	800	6.5	10	185	100				500	16	±0.1	285		
				1800	6.5	10	400	100				500				425	
3700	6.5	10		800	100	500	690										

■ Air Hoses Standard

RoHS 10

Material: Polyurethane

Part Number	Type	Hose Nominal I.D.	Hose Length (m) Selection	Hose Color	I.D. (mm)	O.D. (mm)	Thickness (mm)	Min. Bending Radius (mm)	Operating Pressure (MPa)	Operating Temp. Range (°C)	Unit Price 1~4 pc(s).	Volume Discount Rate 5~10
EHOS	6	6.5	10	Not specified (Red) BL (Blue)	10	12.5	1.75	40	0~1.5	-20~60°C		
			20									
			10									
			20									
9	8.5	12.5	10	Not specified (Red) BL (Blue)	10	2	55	0~1.5	-20~60°C			
			20									

- Features
- Hose weight is very light.
 - Excellent in cold resistance and oil resistance.

Specifications

Applicable Fluids	Air
Operating Temperature Range	-20~60°C
Max. Operating Pressure	1.5MPa

■ Air Hoses Sliding

RoHS 10

Material: Special Polyurethane

Part Number	Type	Hose Nominal I.D.	Hose Length (m) Selection	Hose Color	I.D. (mm)	O.D. (mm)	Thickness (mm)	Min. Bending Radius (mm)	Operating Pressure (MPa)	Operating Temp. Range (°C)	Unit Price 1~4 pc(s).	Volume Discount Rate 5~10
ERHOS	6	6.3	10	Not specified (Red) BL (Blue)	10	12.5	1.85	40	0~1.5	-20~60°C		
			20									
			10									
			20									
9	8.3	12.5	10	Not specified (Red) BL (Blue)	10	2.1	40	0~1.5	-20~60°C			
			20									

- Features
- Enhances sliding of hose and facilitates movement and operation.
 - Soft and flexible hose leads to less burden on wrist and arm.
 - Light hose causes less leaping and secures safety at foot.

Specifications

Applicable Fluids	Air
Operating Temperature Range	-20~60°C
Max. Operating Pressure	1.5MPa

■ Air Hoses High-Flex

RoHS 10

Material: PVC

Part Number	Type	Hose Nominal I.D.	Hose Length (m) Selection	I.D. (mm)	O.D. (mm)	Thickness (mm)	Min. Bending Radius (mm)	Operating Pressure (MPa)	Operating Temp. Range (°C)	Unit Price 1~4 pc(s).	Volume Discount Rate 5~10
AHOS	6	6.5	10	8	15	3.25	30	0~1.0	-5~60°C		
			20								
			10								
			20								
9	8	15	10	8	15	3.5	35	0~1.0	-5~60°C		
			20								

- Features
- Soft type is easy to insert into metal fittings such as hose nipples.
 - Band tightening with high air tightness prevents leakage of air.
 - No sticking of oil. No swelling often seen in rubber hoses.

Specifications

Applicable Fluids	Air
Operating Temperature Range	-5~60°C
Max. Operating Pressure	1.0MPa

Ordering Example

Part Number - Hose Length - Hose Color

EHOS6 - 10 - BL