


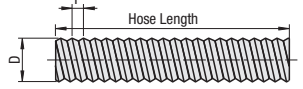
Duct Hoses / Cuffs for Duct Hoses

Oil-Resistant / Non-PVC

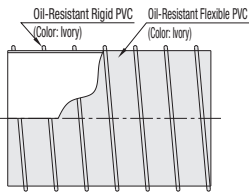
Oil-Resistant



HOSEDY
(Hose Body Only)




Construction Diagram



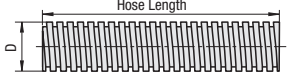
Material: Hose Body: Oil-resistant Hard/Flexible PVC

Part Number Type	Nominal	Hose Length 0.1m Increment	D	Hose I.D. (Reference) (mm)		P	Allowable Bending Radius (mm)	Reference Mass (kg/m)	Unit Price	
				d1	d2				Hose Unit Price/m	pc(s)
HOSEDY (Hose Body)	75	0.5-30.0	86.4	76.4	13	75	0.785			
	100		112.2	101.6	15	100	1.03			
	125	0.5-20.0	138.7	125.9	21	125	1.355			
	150		164.8	152.4	20	150	1.68			

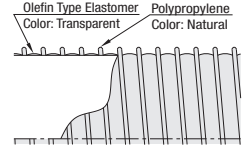
Non-PVC



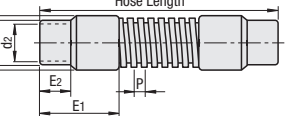
HOSECD
(Hose Body)



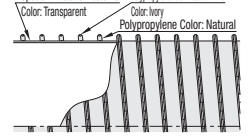
Construction Diagram



HOSECE
(Hose Body)



Construction Diagram



Material: Hose Body: Polypropylene, Olefin Type Elastomer (for HOSECE, Special Anti-electrostatic Elastomer)
Cuff: Olefin Type Elastomer

Part Number Type	Nominal Dia.	Hose Length 0.1m Increment	D	Hose I.D. (Reference) (mm)		P	d	d1	d2	E1	E2	Allowable Bending Radius (mm)	Reference Mass (kg/m)	Allowable Pressure (Ambient Temp.) (MPa (kgf/cm ²))	Allowable Decompression (Ambient Temp.) (kPa (mmHg))	Unit Price HOSECD		Unit Price HOSECE	
				Hose Unit Price/m	One End Cuffed (+ Hose Unit Price)											Both Ends Cuffed (+ Hose Unit Price)	Hose Unit Price/m	Both Ends Cuffed (+ Hose Unit Price)	
Translucent Duct Hoses	38	0.5-30.0	45.0	38.0	7.8	48	43	38	80	35	50	0.22	0.04 (0.4)	-50.7 (-380)					
	50		59.0	50.8	10.0	65.5	56.3	50.8	82	35	60	0.33	0.03 (0.3)	-33.0 (-248)					
	75		85.0	76.2	13.0	92.5	83.2	76.2	94	37	90	0.47	0.03 (0.3)	-17.5 (-131)					
Antistatic Translucent Duct Hoses	100	0.5-20.0	111.5	101.6	15.0	119	108.6	101.6	110	42	110	0.64	0.02 (0.2)	-12.5 (-94)					
	125		138.5	127.0	21.0	146.3	135	128	142	50	135	0.81							
	150		164.0	152.4	20.0	173.3	160	152	159	70	160	1.06							

Specifications

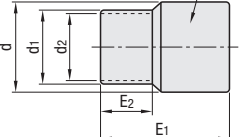
Type	HOSEDY	HOSECD	HOSECE
Application	Suction and exhaust emission of oil mist	For air supply and exhaust (Air)	
Operating Temp. Range (°C)	-10~50	-20~50	
Allowable Pressure Range (MPa)	Below ambient temperature: 0 ~ 0.04 Above ambient temperature: 0 ~ 0.02		

Ordering Example Part Number - Hose Length
HOSEDY100 - 5.5
HOSECD50 - 3.2

Cuffs for Duct Hoses

Type	Material	Applicable Hoses
DHED	Flexible PVC	Lightweight Type
DHSD	EPDM (Light Gray)	Flexible
DHHD	EPDM (Black)	Wear Resistant, Antistatic
DHTD	Olefin Type Elastomer	Translucent Type

The inside has been machined to match the helical thread of the duct, which corresponds to the nominal value.




Ordering Example Part Number
DHSD50

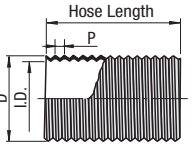
Part Number Type	Nominal	DHED				DHSD				DHHD				DHTD							
		d	d1	d2	E1	d	d1	d2	E1	d	d1	d2	E1	d	d1	d2	E1	E2			
DHED (For Lightweight Duct Hoses)	38	48	43	38	80	35	47.7	44	38	70	35	52	43	38	75	30	48	43	38	80	35
	50	65.5	56.3	50.8	82	35	64	56.8	50.8	70	35	66.3	56	51	81	23	65.5	56.3	50.8	82	35
DHSD (For Flexible Duct Hoses)	65	78.5	69	63	86	33	78	69.5	63.5	76	35	78.1	69	63	87	31	-	-	-	-	-
	75	92.5	83.2	76.2	94	37	88	82.5	76.5	85	40	92.5	84	77	98	38	92.5	83.2	76.2	94	37
DHHD (For Friction Resistant and Antistatic Duct Hoses)	90	106.5	96.9	89.2	99	40	100	95.9	88.9	95	45	105.8	97	89	107	46	-	-	-	-	-
	100	119.8	109.6	101.6	110	42	115.5	108.6	101.6	95	45	118.3	110	102	111	43	119	108.6	101.6	110	42
DHTD (For Translucent Duct Hoses)	125	146.3	135	128	142	50	140.5	134	127	95	45	144.8	134	126	146	52	146.3	135	128	142	50
	150	173.3	160	152	160	70	166	160.4	152.4	113	50	172.3	161	153	162	78	173.3	160	152	159	70

Aluminum Duct Hoses / Heat Resistant Duct Hoses

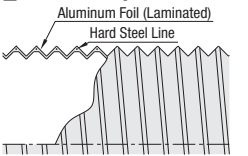
Aluminum Duct Hoses



HOAD



Construction Diagram



Material: Aluminum Foil (Laminated), Hard Steel Wire

Operating Temp. Range (°C): -20~80°C

Part Number Type	Nominal Dia.	Hose Length 0.1m Increment	Hose I.D. (Reference) (mm)	D	P	Allowable Pressure Range (MPa (kgf/cm ²))	Allowable Decompression (Ambient Temp.) (kPa (mmHg))	Allowable Bending Radius (mm)	Reference Mass g/m	Unit Price	
										Hose Unit Price/m	pc(s)
HOAD	38	0.5-5	39	45.0	10.8	0~0.02 (0~0.2)	-33 (-248)	30	130		
	50		50	55.3	10.8			35	168		
	65		64	70.3	10.8			45	205		
	75		75	80.3	10.8			55	244		
	100		98	105.3	10.8			70	312		
	117	113	119.3	10.8	75	375					
	125	125	130.3	10.8	90	390					
	150	150	155.7	10.8	105	606					

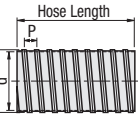
* Hose length refers to the length with the hose extended.

Ordering Example Part Number - Hose Length
HOAD50 - 3.2

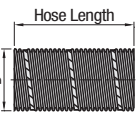
Heat-Resistant Duct Hoses

Type	Application	Material		Operating Temp. Range (°C)
		Main Body	Others	
HOCTD	Low Dust Generation Type	Aluminum Polyester Cloth	Reinforcement Spiral: Zinc Plating	-20~130°C
HOTD	Heat-Resistant Type	Special Coating Glass Cloth	Reinforcement Spiral: SUS304	-20~250°C
HOTDS	Heat-Resistant Type	Aluminum Glass Cloth	Reinforcement Spiral: SPC (Zinc Plating)	-20~180°C
HOTDH	Heat-Resistant Type	SUS304	Reinforcement Spiral: SUS304	30~450°C
HOTDK	Heat-Resistant Type	SUS304	Reinforcement Spiral: SUS304	~600°C
HOTDA	Heat-Resistant - Heat Retention Type	Aluminum	Reinforcement Spiral: Glass Fiber	-30~200°C

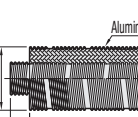
HOCTD



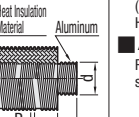
HOTD



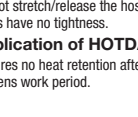
HOTDS



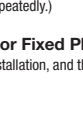
HOTDH



HOTDK



HOTDA



Part Number Type	No.	Hose Length 0.1m Increment	Hose I.D. (Reference) (mm)	D	P	Allowable Pressure Range (MPa)	Allowable Decompression (Ambient Temp.) (kPa)	Reference Mass (g/m)	Allowable Bending Radius (mm)	Unit Price	
										Hose Unit Price/m	pc(s)
HOCTD (Low Dust Generation Type)	50	0.5-5	51	54.5	20	0~0.007	-8.5	370	120		
	75		76	80	20			530	160		
	100		102.5	106	23			640	210		
	125		127.5	131	23			770	250		
	150		152	155	23			945	300		
HOTD (Heat Resistant Temperature 250°C Type)	50	0.5-5	51	54.5	20	0~0.007	-8.5	360	110		
	65		67	71.5	20			480	140		
	75		76	80	20			525	160		
	90		91	94.5	23			645	190		
	100		102.5	106	23			770	210		
HOTDS (Heat Resistant Temperature 180°C Type)	50	0.5-5	51	54.5	20	0~0.007	-8.5	405	110		
	65		67	71.5	20			460	120		
	75		76	80	20			525	140		
	90		91.5	95	23			645	190		
	100		102.5	106	23			770	210		
HOTDH (Heat Resistant Temperature 450°C Type)	50	0.5-2	52.5	56	20	0~0.007	-10.5	365	170		
	65		67	71.5	20			460	210		
	75		76	80	20			525	240		
	90		91.5	95	23			645	290		
	100		102.5	106	23			770	320		
HOTDK (Heat Resistant Temperature 600°C Type)	50	0.5-4	51.2	56.8	-	0~0.027	-27	220	75		
	65		66.2	71.8	-			280	98		
	75		76.2	81.8	-			320	113		
	80		81.2	86.8	-			340	120		
	100		101.7	107.3	-			420	200		
HOTDA (Heat Insulating Layer Coated Type)	50	0.5-2	50.9	107	4.1	0.009	-9	470	200		
	75		75.9	132	4.1			590	300		
	100		101.4	157	4.1			720	400		

* Hose length refers to the length when the hose is stretched without tensile load. (The allowable pressure is the maximum design pressure. The allowable reduction pressure is the maximum negative pressure that can be applied to the hose under ambient temperature. Above range is for Hose Body only. Use data as reference.)

* Use two hose clamps for each installation location to secure the hose.

Ordering Example Part Number - Hose Length
HOTDK50 - 3.2

For orders larger than indicated quantity, please check with WDS.