

# Pressure Tanks with Base - Wide Mouth

Number of Holes Fixed/Selectable

Features: Wide opening design for easy cleaning. Excels in liquid discharging and little liquid remains when the tank is emptied. Excels in liquid discharging and little liquid remains when the tank is emptied (Capacity: 1 ~ 10ℓ)

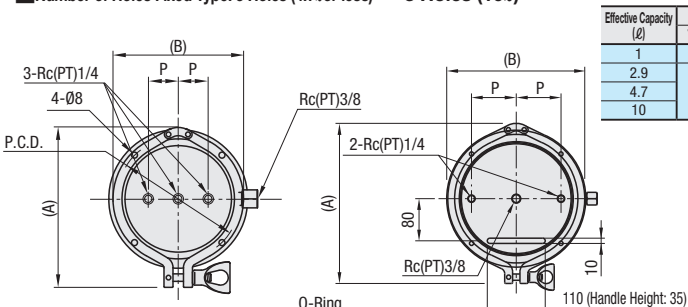


Type	Material	Surface Finish	Normal Operating Pressure
TNKB TNKBH TNKBF TNKBFH	SUS304 Nitrile Rubber Fluororubber	Buffer (main body only) Inner & Outer Surface: #40 Equivalent Except weld bead portion on I.D.	0.5MPa or Lower

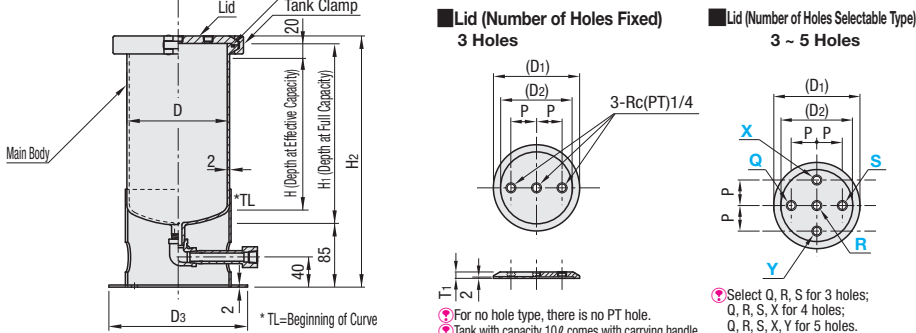
Feature of Nitrile Rubber / Fluororubber P.391 Feature of O-Ring: P.1362

Effective Capacity (ℓ)	Weight (kg)			
	Main Body	Lid	Tank	Clamp
1	1.46	0.62	0.42	
2.9	2.63	1.42	0.95	
4.7	3.27	2.18	1.05	
10	5.35	3.45	2.2	

Number of Holes Fixed Type: 3 Holes (4.7ℓ or less) 3 Holes (10ℓ)



Effective Capacity (ℓ)	Lid & Clamp					
	T1	(D1)	(D2)	P	(A)	(B)
1	10	120	103	30	166	133
2.9	10	160	143	40	213	174
4.7	12	190	166	40	246	204
10	12	244	216	85	302	258

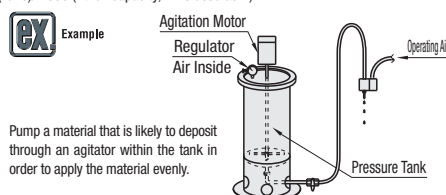


For detailed clamp dimensions, see P.1371. Please read "Precautions for Use" and "Operating Instruction" on P.1362 before use.

Part Number	Number of Holes Selection for Fixed Type	For "Number of Holes Selectable Type" only Number of Holes * Rc (PT) Selection of Q, R, S, X, Y	At Full Capacity (ℓ)	I.D.	Effective Capacity Depth H	At Full Capacity Depth Hi	H2	P.C.D.	D3	O-Ring Size	Unit Price 1 ~ 3 pc(s).									
											Number of Holes Fixed Qty. 0	Qty. 3	Qty. 3	Qty. 4	Qty. 5					
Number of Holes Fixed Type	Number of Holes Selectable Type																			
TNKB TNKBH (O-Ring: Nitrile Rubber)	TNKB2.9	3	1.1	95.6	130	167	260	127	140	G105										
TNKBF TNKBFH (O-Ring: Fluororubber)	TNKB4.7	5	3.2	133	194	240	335	165	185	G145										
	TNKB4.7	3	5.1	158.4	220	270	365	190	210	G170										
	TNKB10	5	10.6	208.3	265	325	420	240	260	G220										

To specify \* marked Q, R, S, X and Y, use the numbers in front of (:): 1, 2, 3. Full capacity level is a theoretical value that is obtained by calculation (base area x H depth). Use within the effective H depth (up to -20mm from upper surface). Reference Effective Capacity (ℓ) = Radius cm (D/2/10) x Radius cm (D/2/10) x 3.14 x Depth at Effective Capacity cm (H/10)/1000 (At full capacity, Hi is used as H)

Ordering Example: Part Number - Number of Holes - Q - R - S - X - Y  
 Number of Holes Fixed Type: 3 Holes TNKB2.9 - 3  
 Number of Holes Selectable Type: 3 Holes TNKBH4.7 - 3 - Q2 - R3 - S3  
 Number of Holes Selectable Type: 5 Holes TNKBH4.7 - 5 - Q1 - R2 - S3 - X2 - Y2  
 For Number of Holes Selectable Type, choose between Q ~ Y according to the number of holes. Specify up to S for 3 holes, up to Y for 5 holes.



Pump a material that is likely to deposit through an agitator within the tank in order to apply the material evenly.

Alterations Example: Part Number - Number of Holes - Q - R - S - X - Y - (LG, FS, AN)  
 TNKBH4.7 - 4 - Q2 - R2 - S2 - X3 - FS AN

Alterations	Code	Spec.	Alterations	Code	Spec.	Alterations	Code	Spec.
Installation of Level Gauge	LG	Install level gauge to provide visual view of the liquid level. Suspended at a position of 40mm from upper surface (X) and 40mm from the bottom.	Low Level Float Switches Installation	FS	Install a switch to operate as alarm or signal of level of liquids such as water and oil. Stem tip will be suspended at 10mm from bottom of Tanks. For details of Low Level Float Switches, see P.1372.	Pressure Tanks with Safety Function	AN	Install Safety Cover and Support Angle. Applicable only to Number of Hole Fixed Type.

# Pressure Tanks with Base - Narrow Mouth

Number of Holes Fixed/Selectable

Features: Wide opening design for easy cleaning. Excels in liquid discharging and little liquid remains when the tank is emptied (Capacity: 4 ~ 22.5). Can be used for vacuum de-foaming (decompression).



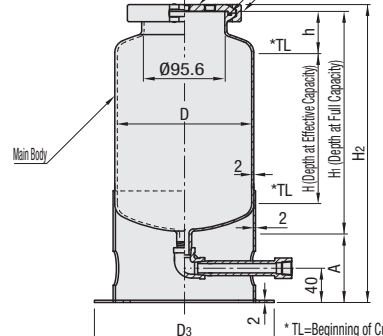
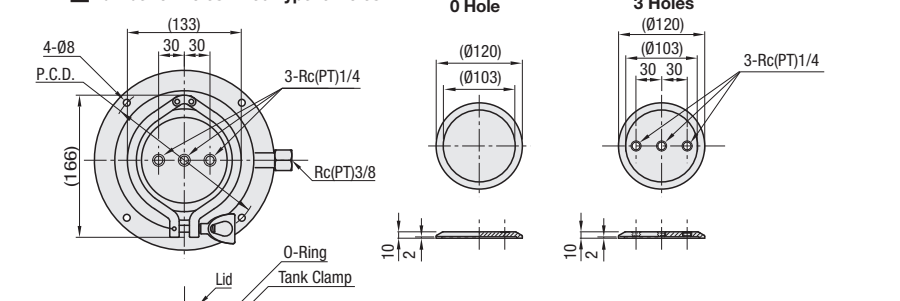
Type	Material	Surface Finish	Normal Operating Pressure
TNKC TNKCH TNKCF TNKCFH	SUS304 Nitrile Rubber Fluororubber	Buffer (main body only) Inner & Outer Surface: #40 Equivalent Except weld bead portion on I.D.	0.5MPa or Lower

Feature of Nitrile Rubber / Fluororubber P.391 Feature of O-Ring: P.1362

Effective Capacity (ℓ)	Weight (kg)			
	Main Body	Lid	Tank	Clamp
4	3.06			
5.9	3.96	0.62		
12.7	6.46			
22.5	7.96			

Number of Holes Fixed Type: 3 Holes

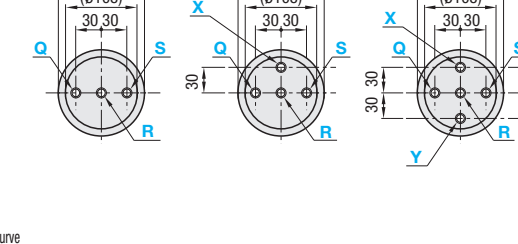
Lid (Number of Holes Fixed Type) 0 Hole



Lid (Number of Holes Selectable Type) 3 Holes

4 Holes

5 Holes



For detailed clamp dimensions, see P.1371. Please read "Precautions for Use" and "Operating Instruction" on P.1362 before use.

Part Number	Number of Holes Selection for Fixed Type	For "Number of Holes Selectable Type" only Number of Holes * Rc (PT) Selection of Q, R, S, X, Y	At Full Capacity (ℓ)	I.D.	Effective Capacity Depth H	At Full Capacity Depth Hi	H2	P.C.D.	D3	O-Ring Size	Unit Price 1 ~ 3 pc(s).								
											Number of Holes Fixed Qty. 0	Qty. 3	Qty. 3	Qty. 4	Qty. 5				
Number of Holes Fixed Type	Number of Holes Selectable Type																		
TNKC TNKCH (O-Ring: Nitrile Rubber)	TNKC12.7	3	4.2	158.4	175	260	80	348	49.3	190	210								
TNKC TNKCH (O-Ring: Nitrile Rubber)	TNKC5.9	5	6	180	194	287	80	375	54.8	210	230								
TNKC TNKCH (O-Ring: Fluororubber)	TNKC12.7	3	13.2	250	208	325	85	418	73.5	285	310								
	TNKC22.5	5	23.2	250	408	530	85	623	73.5	285	310								

To specify \* marked Q, R, S, X and Y, use the numbers in front of (:): 1, 2, 3. Full capacity level is a theoretical value that is obtained by calculation (base area x H depth). Use within the effective H depth (up to -20mm from upper surface). Reference Effective Capacity (ℓ) = Radius cm (D/2/10) x Radius cm (D/2/10) x 3.14 x Depth at Effective Capacity cm (H/10)/1000 (At full capacity, Hi is used as H)

Ordering Example: Part Number - Number of Holes - Q - R - S - X - Y  
 Number of Holes Fixed Type: 3 Holes TNKC12.7 - 3  
 Number of Holes Selectable Type: 5 Holes TNKCH5.9 - 5 - Q1 - R2 - S3 - X2 - Y2  
 For Number of Holes Selectable Type, choose between Q ~ Y according to the number of holes. Specify up to S for 3 holes, up to Y for 5 holes.

Alterations Example: Part Number - Number of Holes - Q - R - S - X - Y - (LG, FS, AN)  
 TNKCH4 - 4 - Q2 - R2 - S2 - X3 - FS AN

Alterations	Code	Spec.	Alterations	Code	Spec.
Installation of Level Gauge	LG	Install level gauge to provide visual view of the liquid level. Suspended at 40mm from the bottom of the tank. Capacity: X=59.5mm, 5.9ℓ Capacity; X=65mm, 12.7ℓ Capacity; X=80mm, 22.5ℓ Capacity; X=80mm	Low Level Float Switch Installation	FS	Install a switch to operate as alarm or signal of level of liquids such as water and oil. Stem tip will be suspended at 10mm from bottom of Tanks. For details of Low Level Float Switches, see P.1372.
			Pressure Tanks with Safety Function	AN	Install Safety Cover and Support Angle. For details of features and dimensions, see overview page P.1362. Applicable only to Number of Hole Fixed Type.