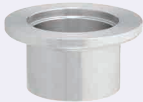
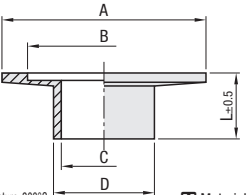

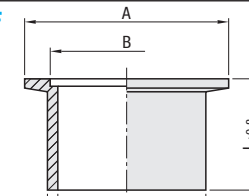

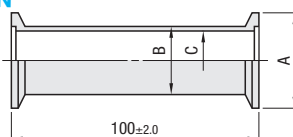

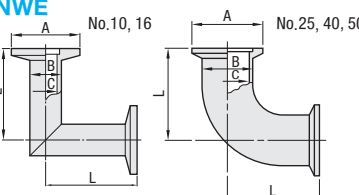

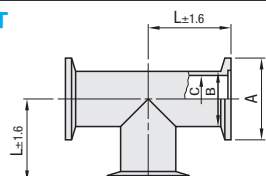

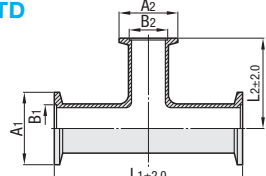

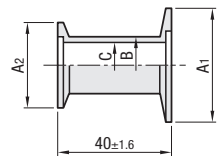



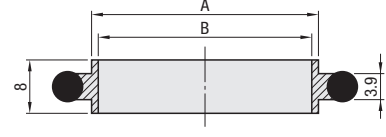

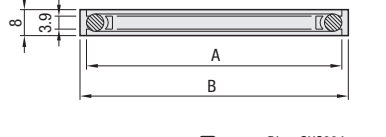

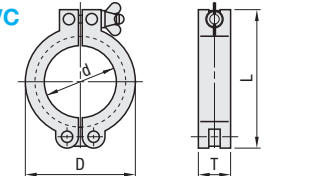

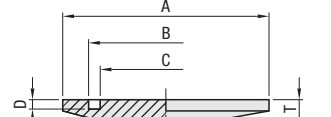
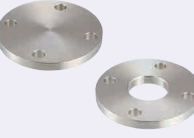
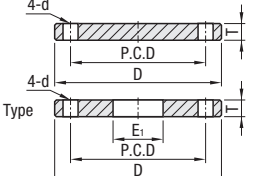

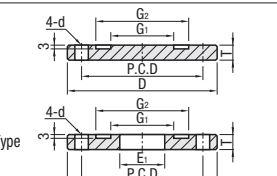
Fittings for Vacuum Plumbing


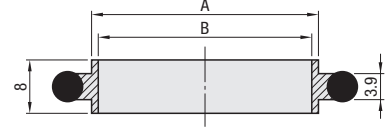

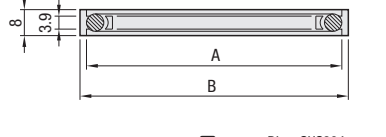

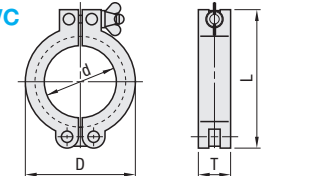

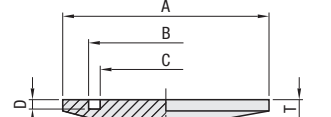
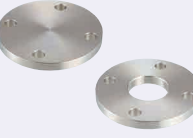
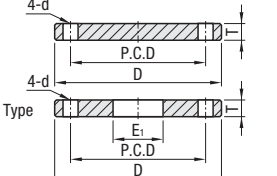

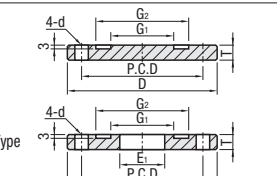
NW (KF) Flanged

Fittings for Vacuum Plumbing

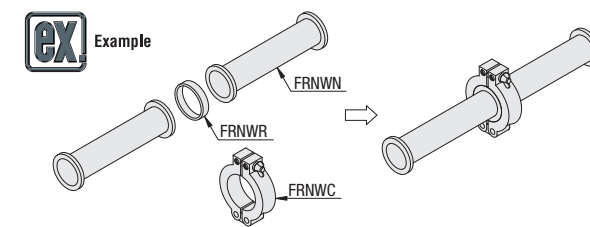
NW (KF) Flanged / JIS Flanged

 <p>RoHS10</p>	<p>FRNWF</p>  <p>Max. Operation Temperature: 200°C Material: SUS304</p>																																													
	<table border="1"> <thead> <tr> <th>Part Number</th> <th>Type</th> <th>No.</th> <th>A</th> <th>B</th> <th>C</th> <th>D</th> <th>L</th> <th>Unit Price</th> </tr> </thead> <tbody> <tr> <td rowspan="5">FRNWF</td> <td>10</td> <td>30</td> <td>12.2</td> <td>10.0</td> <td>13.8</td> <td rowspan="5">20</td> <td></td> <td></td> </tr> <tr> <td>16</td> <td>30</td> <td>17.2</td> <td>17.5</td> <td>21.7</td> <td></td> <td></td> </tr> <tr> <td>25</td> <td>40</td> <td>26.2</td> <td>23.0</td> <td>27.2</td> <td></td> <td></td> </tr> <tr> <td>40</td> <td>55</td> <td>41.2</td> <td>37.1</td> <td>42.7</td> <td></td> <td></td> </tr> <tr> <td>50</td> <td>75</td> <td>52.2</td> <td>54.9</td> <td>60.5</td> <td></td> <td></td> </tr> </tbody> </table> <p>For some sizes of NW Flanged type, the actual groove shape may be different from that shown on the drawing. For orders larger than indicated quantity, please check with WOS.</p>	Part Number	Type	No.	A	B	C	D	L	Unit Price	FRNWF	10	30	12.2	10.0	13.8	20			16	30	17.2	17.5	21.7			25	40	26.2	23.0	27.2			40	55	41.2	37.1	42.7			50	75	52.2	54.9	60.5	
Part Number	Type	No.	A	B	C	D	L	Unit Price																																						
FRNWF	10	30	12.2	10.0	13.8	20																																								
	16	30	17.2	17.5	21.7																																									
	25	40	26.2	23.0	27.2																																									
	40	55	41.2	37.1	42.7																																									
	50	75	52.2	54.9	60.5																																									
 <p>RoHS10</p>	<p>FRNWL</p>  <p>Max. Operation Temperature: 200°C Material: SUS304</p>																																													
	<table border="1"> <thead> <tr> <th>Part Number</th> <th>Type</th> <th>No.</th> <th>A</th> <th>B</th> <th>C</th> <th>D</th> <th>L</th> <th>Unit Price</th> </tr> </thead> <tbody> <tr> <td rowspan="5">FRNWL</td> <td>10</td> <td>30</td> <td>12.2</td> <td>10.0</td> <td>13.8</td> <td rowspan="5">50</td> <td></td> <td></td> </tr> <tr> <td>16</td> <td>30</td> <td>17.2</td> <td>17.5</td> <td>21.7</td> <td></td> <td></td> </tr> <tr> <td>25</td> <td>40</td> <td>26.2</td> <td>23.0</td> <td>27.2</td> <td></td> <td></td> </tr> <tr> <td>40</td> <td>55</td> <td>41.2</td> <td>37.1</td> <td>42.7</td> <td></td> <td></td> </tr> <tr> <td>50</td> <td>75</td> <td>52.2</td> <td>54.9</td> <td>60.5</td> <td></td> <td></td> </tr> </tbody> </table> <p>For some sizes of NW Flanged type, the actual groove shape may be different from that shown on the drawing. For orders larger than indicated quantity, please check with WOS.</p>	Part Number	Type	No.	A	B	C	D	L	Unit Price	FRNWL	10	30	12.2	10.0	13.8	50			16	30	17.2	17.5	21.7			25	40	26.2	23.0	27.2			40	55	41.2	37.1	42.7			50	75	52.2	54.9	60.5	
Part Number	Type	No.	A	B	C	D	L	Unit Price																																						
FRNWL	10	30	12.2	10.0	13.8	50																																								
	16	30	17.2	17.5	21.7																																									
	25	40	26.2	23.0	27.2																																									
	40	55	41.2	37.1	42.7																																									
	50	75	52.2	54.9	60.5																																									
 <p>RoHS10</p>	<p>FRNWN</p>  <p>Max. Operation Temperature: 200°C Material: SUS304</p>																																													
	<table border="1"> <thead> <tr> <th>Part Number</th> <th>Type</th> <th>No.</th> <th>A</th> <th>B</th> <th>C</th> <th>Unit Price</th> </tr> </thead> <tbody> <tr> <td rowspan="5">FRNWN</td> <td>10</td> <td>30</td> <td>13.8</td> <td>10.0</td> <td></td> <td></td> </tr> <tr> <td>16</td> <td>30</td> <td>21.7</td> <td>17.5</td> <td></td> <td></td> </tr> <tr> <td>25</td> <td>40</td> <td>27.2</td> <td>23.0</td> <td></td> <td></td> </tr> <tr> <td>40</td> <td>55</td> <td>42.7</td> <td>37.1</td> <td></td> <td></td> </tr> <tr> <td>50</td> <td>75</td> <td>60.5</td> <td>54.9</td> <td></td> <td></td> </tr> </tbody> </table> <p>For orders larger than indicated quantity, please check with WOS.</p>	Part Number	Type	No.	A	B	C	Unit Price	FRNWN	10	30	13.8	10.0			16	30	21.7	17.5			25	40	27.2	23.0			40	55	42.7	37.1			50	75	60.5	54.9									
Part Number	Type	No.	A	B	C	Unit Price																																								
FRNWN	10	30	13.8	10.0																																										
	16	30	21.7	17.5																																										
	25	40	27.2	23.0																																										
	40	55	42.7	37.1																																										
	50	75	60.5	54.9																																										
 <p>RoHS10</p>	<p>FRNWE</p>  <p>Max. Operation Temperature: 200°C Material: SUS304</p>																																													
	<table border="1"> <thead> <tr> <th>Part Number</th> <th>Type</th> <th>No.</th> <th>A</th> <th>B</th> <th>C</th> <th>L±2.0</th> <th>Unit Price</th> </tr> </thead> <tbody> <tr> <td rowspan="5">FRNWE</td> <td>10</td> <td>30</td> <td>13.8</td> <td>10</td> <td>40</td> <td></td> <td></td> </tr> <tr> <td>16</td> <td>30</td> <td>21.7</td> <td>16</td> <td>40</td> <td></td> <td></td> </tr> <tr> <td>25</td> <td>40</td> <td>27.2</td> <td>23</td> <td>50</td> <td></td> <td></td> </tr> <tr> <td>40</td> <td>55</td> <td>42.7</td> <td>37.1</td> <td>65</td> <td></td> <td></td> </tr> <tr> <td>50</td> <td>75</td> <td>60.5</td> <td>54.9</td> <td>80</td> <td></td> <td></td> </tr> </tbody> </table> <p>For orders larger than indicated quantity, please check with WOS.</p>	Part Number	Type	No.	A	B	C	L±2.0	Unit Price	FRNWE	10	30	13.8	10	40			16	30	21.7	16	40			25	40	27.2	23	50			40	55	42.7	37.1	65			50	75	60.5	54.9	80			
Part Number	Type	No.	A	B	C	L±2.0	Unit Price																																							
FRNWE	10	30	13.8	10	40																																									
	16	30	21.7	16	40																																									
	25	40	27.2	23	50																																									
	40	55	42.7	37.1	65																																									
	50	75	60.5	54.9	80																																									
 <p>RoHS10</p>	<p>FRNWT</p>  <p>Max. Operation Temperature: 200°C Material: SUS304</p>																																													
	<table border="1"> <thead> <tr> <th>Part Number</th> <th>Type</th> <th>No.</th> <th>A</th> <th>B</th> <th>C</th> <th>L</th> <th>Unit Price</th> </tr> </thead> <tbody> <tr> <td rowspan="5">FRNWT</td> <td>10</td> <td>30</td> <td>13.8</td> <td>10</td> <td>40</td> <td></td> <td></td> </tr> <tr> <td>16</td> <td>30</td> <td>21.7</td> <td>16</td> <td>40</td> <td></td> <td></td> </tr> <tr> <td>25</td> <td>40</td> <td>27.2</td> <td>23</td> <td>50</td> <td></td> <td></td> </tr> <tr> <td>40</td> <td>55</td> <td>42.7</td> <td>37.1</td> <td>65</td> <td></td> <td></td> </tr> <tr> <td>50</td> <td>75</td> <td>60.5</td> <td>54.9</td> <td>80</td> <td></td> <td></td> </tr> </tbody> </table> <p>For orders larger than indicated quantity, please check with WOS.</p>	Part Number	Type	No.	A	B	C	L	Unit Price	FRNWT	10	30	13.8	10	40			16	30	21.7	16	40			25	40	27.2	23	50			40	55	42.7	37.1	65			50	75	60.5	54.9	80			
Part Number	Type	No.	A	B	C	L	Unit Price																																							
FRNWT	10	30	13.8	10	40																																									
	16	30	21.7	16	40																																									
	25	40	27.2	23	50																																									
	40	55	42.7	37.1	65																																									
	50	75	60.5	54.9	80																																									
 <p>RoHS10</p>	<p>FRNWD</p>  <p>Max. Operation Temperature: 200°C Material: SUS304</p>																																													
	<table border="1"> <thead> <tr> <th>Part Number</th> <th>Type</th> <th>No.</th> <th>A1</th> <th>B1</th> <th>L1</th> <th>A2</th> <th>B2</th> <th>L2</th> <th>Unit Price</th> </tr> </thead> <tbody> <tr> <td rowspan="3">FRNWD</td> <td>25-16</td> <td>40</td> <td>27.2</td> <td>97.2</td> <td>30</td> <td>21.7</td> <td>48.6</td> <td></td> <td></td> </tr> <tr> <td>40-25</td> <td>55</td> <td>42.7</td> <td>135.2</td> <td>40</td> <td>27.2</td> <td>67.6</td> <td></td> <td></td> </tr> </tbody> </table> <p>For orders larger than indicated quantity, please check with WOS.</p>	Part Number	Type	No.	A1	B1	L1	A2	B2	L2	Unit Price	FRNWD	25-16	40	27.2	97.2	30	21.7	48.6			40-25	55	42.7	135.2	40	27.2	67.6																		
Part Number	Type	No.	A1	B1	L1	A2	B2	L2	Unit Price																																					
FRNWD	25-16	40	27.2	97.2	30	21.7	48.6																																							
	40-25	55	42.7	135.2	40	27.2	67.6																																							
	 <p>RoHS10</p>	<p>FRNWJ</p>  <p>Max. Operation Temperature: 200°C Material: SUS304</p>																																												
<table border="1"> <thead> <tr> <th>Part Number</th> <th>Type</th> <th>No.</th> <th>A1</th> <th>A2</th> <th>B</th> <th>C</th> <th>Unit Price</th> </tr> </thead> <tbody> <tr> <td rowspan="5">FRNWJ</td> <td>25-10</td> <td>40</td> <td>30</td> <td>13.8</td> <td>10.0</td> <td></td> <td></td> </tr> <tr> <td>25-16</td> <td>40</td> <td>30</td> <td>21.7</td> <td>17.5</td> <td></td> <td></td> </tr> <tr> <td>40-16</td> <td>55</td> <td>30</td> <td>21.7</td> <td>17.5</td> <td></td> <td></td> </tr> <tr> <td>40-25</td> <td>55</td> <td>40</td> <td>27.2</td> <td>23.0</td> <td></td> <td></td> </tr> <tr> <td>50-25</td> <td>75</td> <td>40</td> <td>27.2</td> <td>23.0</td> <td></td> <td></td> </tr> </tbody> </table> <p>For orders larger than indicated quantity, please check with WOS.</p>		Part Number	Type	No.	A1	A2	B	C	Unit Price	FRNWJ	25-10	40	30	13.8	10.0			25-16	40	30	21.7	17.5			40-16	55	30	21.7	17.5			40-25	55	40	27.2	23.0			50-25	75	40	27.2	23.0			
Part Number	Type	No.	A1	A2	B	C	Unit Price																																							
FRNWJ	25-10	40	30	13.8	10.0																																									
	25-16	40	30	21.7	17.5																																									
	40-16	55	30	21.7	17.5																																									
	40-25	55	40	27.2	23.0																																									
	50-25	75	40	27.2	23.0																																									

 <p>RoHS10</p>	<p>FRNWCR</p>  <p>Max. Operation Temperature: 150°C Material Ring: SUS304 O-Ring: Fluororubber</p>																																																																			
	<table border="1"> <thead> <tr> <th>Part Number</th> <th>Type</th> <th>No.</th> <th>A</th> <th>B</th> <th>Unit Price</th> </tr> </thead> <tbody> <tr> <td rowspan="4">FRNWCR</td> <td>16</td> <td>17</td> <td>16</td> <td></td> <td></td> </tr> <tr> <td>25</td> <td>26</td> <td>25</td> <td></td> <td></td> </tr> <tr> <td>40</td> <td>41</td> <td>40</td> <td></td> <td></td> </tr> <tr> <td>50</td> <td>52</td> <td>50</td> <td></td> <td></td> </tr> </tbody> </table> <p>FRNWCR16 cannot be used in combination with Vacuum Plumbing No.10. For orders larger than indicated quantity, please check with WOS.</p>	Part Number	Type	No.	A	B	Unit Price	FRNWCR	16	17	16			25	26	25			40	41	40			50	52	50																																										
Part Number	Type	No.	A	B	Unit Price																																																															
FRNWCR	16	17	16																																																																	
	25	26	25																																																																	
	40	41	40																																																																	
	50	52	50																																																																	
 <p>RoHS10</p>	<p>FRNWR</p>  <p>Max. Operation Temperature: 150°C Material Ring: SUS304 O-Ring: Fluororubber</p>																																																																			
	<table border="1"> <thead> <tr> <th>Part Number</th> <th>Type</th> <th>No.</th> <th>A</th> <th>B</th> <th>Unit Price</th> </tr> </thead> <tbody> <tr> <td rowspan="4">FRNWR</td> <td>16</td> <td>30</td> <td>32</td> <td></td> <td></td> </tr> <tr> <td>25</td> <td>40</td> <td>42</td> <td></td> <td></td> </tr> <tr> <td>40</td> <td>55</td> <td>57</td> <td></td> <td></td> </tr> <tr> <td>50</td> <td>75</td> <td>77</td> <td></td> <td></td> </tr> </tbody> </table> <p>FRNWR can be commonly used for No.10 and 16. For orders larger than indicated quantity, please check with WOS. Features: Center rings prevent O-Rings from falling off and suppress deformation.</p>	Part Number	Type	No.	A	B	Unit Price	FRNWR	16	30	32			25	40	42			40	55	57			50	75	77																																										
Part Number	Type	No.	A	B	Unit Price																																																															
FRNWR	16	30	32																																																																	
	25	40	42																																																																	
	40	55	57																																																																	
	50	75	77																																																																	
 <p>RoHS10</p>	<p>FRNWC</p>  <p>Max. Operation Temperature: 200°C Material Main Body: Aluminum Thread: SUS304</p>																																																																			
	<table border="1"> <thead> <tr> <th>Part Number</th> <th>Type</th> <th>No.</th> <th>d</th> <th>D</th> <th>L</th> <th>T</th> <th>Unit Price</th> </tr> </thead> <tbody> <tr> <td rowspan="4">FRNWC</td> <td>16</td> <td>20</td> <td>42</td> <td>61</td> <td>17</td> <td></td> <td></td> </tr> <tr> <td>25</td> <td>30</td> <td>52</td> <td>72</td> <td>17</td> <td></td> <td></td> </tr> <tr> <td>40</td> <td>44</td> <td>70</td> <td>90</td> <td>17</td> <td></td> <td></td> </tr> <tr> <td>50</td> <td>62</td> <td>94</td> <td>123</td> <td>25</td> <td></td> <td></td> </tr> </tbody> </table> <p>Commonly used for No.10 and 16. For orders larger than indicated quantity, please check with WOS.</p>	Part Number	Type	No.	d	D	L	T	Unit Price	FRNWC	16	20	42	61	17			25	30	52	72	17			40	44	70	90	17			50	62	94	123	25																																
Part Number	Type	No.	d	D	L	T	Unit Price																																																													
FRNWC	16	20	42	61	17																																																															
	25	30	52	72	17																																																															
	40	44	70	90	17																																																															
	50	62	94	123	25																																																															
 <p>RoHS10</p>	<p>FRNWB</p>  <p>Max. Operation Temperature: 200°C Material: SUS304</p>																																																																			
	<table border="1"> <thead> <tr> <th>Part Number</th> <th>Type</th> <th>No.</th> <th>A</th> <th>B</th> <th>C</th> <th>D</th> <th>T</th> <th>Unit Price</th> </tr> </thead> <tbody> <tr> <td rowspan="5">FRNWB</td> <td>10</td> <td>30</td> <td>12.2</td> <td>6.0</td> <td></td> <td rowspan="5">2.5</td> <td rowspan="5">5</td> <td></td> </tr> <tr> <td>16</td> <td>30</td> <td>17.2</td> <td>11.0</td> <td></td> <td></td> </tr> <tr> <td>25</td> <td>40</td> <td>26.2</td> <td>20.0</td> <td></td> <td></td> </tr> <tr> <td>40</td> <td>55</td> <td>41.2</td> <td>35.0</td> <td></td> <td></td> </tr> <tr> <td>50</td> <td>75</td> <td>52.2</td> <td>46.0</td> <td></td> <td></td> </tr> </tbody> </table> <p>For orders larger than indicated quantity, please check with WOS.</p>	Part Number	Type	No.	A	B	C	D	T	Unit Price	FRNWB	10	30	12.2	6.0		2.5	5		16	30	17.2	11.0			25	40	26.2	20.0			40	55	41.2	35.0			50	75	52.2	46.0																											
Part Number	Type	No.	A	B	C	D	T	Unit Price																																																												
FRNWB	10	30	12.2	6.0		2.5	5																																																													
	16	30	17.2	11.0																																																																
	25	40	26.2	20.0																																																																
	40	55	41.2	35.0																																																																
	50	75	52.2	46.0																																																																
 <p>RoHS10</p>	<p>FRVF</p>  <p>Max. Operation Temperature: 200°C Material: SUS304</p>																																																																			
	<table border="1"> <thead> <tr> <th>Part Number</th> <th>Type</th> <th>No.</th> <th>D</th> <th>P.C.D</th> <th>T</th> <th>d</th> <th>Hole Machined Type</th> <th>Unit Price</th> </tr> </thead> <tbody> <tr> <td rowspan="5">FRVF</td> <td>10A</td> <td>70</td> <td>50</td> <td>8</td> <td>10</td> <td>17.8</td> <td>E1</td> <td>FRVF</td> </tr> <tr> <td>20A</td> <td>80</td> <td>60</td> <td>8</td> <td>10</td> <td>27.7</td> <td></td> <td>FRVA</td> </tr> <tr> <td>25A</td> <td>90</td> <td>70</td> <td>8</td> <td>10</td> <td>34.4</td> <td></td> <td></td> </tr> <tr> <td>40A</td> <td>105</td> <td>85</td> <td>10</td> <td>10</td> <td>49.1</td> <td></td> <td></td> </tr> <tr> <td>50A</td> <td>120</td> <td>100</td> <td>10</td> <td>10</td> <td>61.1</td> <td></td> <td></td> </tr> </tbody> </table> <p>For orders larger than indicated quantity, please check with WOS.</p>	Part Number	Type	No.	D	P.C.D	T	d	Hole Machined Type	Unit Price	FRVF	10A	70	50	8	10	17.8	E1	FRVF	20A	80	60	8	10	27.7		FRVA	25A	90	70	8	10	34.4			40A	105	85	10	10	49.1			50A	120	100	10	10	61.1																			
Part Number	Type	No.	D	P.C.D	T	d	Hole Machined Type	Unit Price																																																												
FRVF	10A	70	50	8	10	17.8	E1	FRVF																																																												
	20A	80	60	8	10	27.7		FRVA																																																												
	25A	90	70	8	10	34.4																																																														
	40A	105	85	10	10	49.1																																																														
	50A	120	100	10	10	61.1																																																														
 <p>RoHS10</p>	<p>FRVG</p>  <p>Max. Operation Temperature: 200°C Material: SUS304</p>																																																																			
	<table border="1"> <thead> <tr> <th>Part Number</th> <th>Type</th> <th>No.</th> <th>D</th> <th>P.C.D</th> <th>T</th> <th>d</th> <th>G1</th> <th>G2</th> <th>Hole Machined Type</th> <th>Applicable O-Ring Size</th> <th>Unit Price</th> </tr> </thead> <tbody> <tr> <td rowspan="5">FRVG</td> <td>10A</td> <td>70</td> <td>50</td> <td>8</td> <td>10</td> <td>24</td> <td>34</td> <td>17.8</td> <td>V24</td> <td></td> <td></td> </tr> <tr> <td>20A</td> <td>80</td> <td>60</td> <td>8</td> <td>10</td> <td>34</td> <td>44</td> <td>27.7</td> <td>V34</td> <td></td> <td></td> </tr> <tr> <td>25A</td> <td>90</td> <td>70</td> <td>8</td> <td>10</td> <td>40</td> <td>50</td> <td>34.4</td> <td>V40</td> <td></td> <td></td> </tr> <tr> <td>40A</td> <td>105</td> <td>85</td> <td>10</td> <td>10</td> <td>55</td> <td>65</td> <td>49.1</td> <td>V55</td> <td></td> <td></td> </tr> <tr> <td>50A</td> <td>120</td> <td>100</td> <td>10</td> <td>10</td> <td>70</td> <td>80</td> <td>61.1</td> <td>V70</td> <td></td> <td></td> </tr> </tbody> </table> <p>For orders larger than indicated quantity, please check with WOS.</p>	Part Number	Type	No.	D	P.C.D	T	d	G1	G2	Hole Machined Type	Applicable O-Ring Size	Unit Price	FRVG	10A	70	50	8	10	24	34	17.8	V24			20A	80	60	8	10	34	44	27.7	V34			25A	90	70	8	10	40	50	34.4	V40			40A	105	85	10	10	55	65	49.1	V55			50A	120	100	10	10	70	80	61.1	V70	
Part Number	Type	No.	D	P.C.D	T	d	G1	G2	Hole Machined Type	Applicable O-Ring Size	Unit Price																																																									
FRVG	10A	70	50	8	10	24	34	17.8	V24																																																											
	20A	80	60	8	10	34	44	27.7	V34																																																											
	25A	90	70	8	10	40	50	34.4	V40																																																											
	40A	105	85	10	10	55	65	49.1	V55																																																											
	50A	120	100	10	10	70	80	61.1	V70																																																											

 <p>RoHS10</p>	<p>FRNWCR</p>  <p>Max. Operation Temperature: 150°C Material Ring: SUS304 O-Ring: Fluororubber</p>																																																																			
	<table border="1"> <thead> <tr> <th>Part Number</th> <th>Type</th> <th>No.</th> <th>A</th> <th>B</th> <th>Unit Price</th> </tr> </thead> <tbody> <tr> <td rowspan="4">FRNWCR</td> <td>16</td> <td>17</td> <td>16</td> <td></td> <td></td> </tr> <tr> <td>25</td> <td>26</td> <td>25</td> <td></td> <td></td> </tr> <tr> <td>40</td> <td>41</td> <td>40</td> <td></td> <td></td> </tr> <tr> <td>50</td> <td>52</td> <td>50</td> <td></td> <td></td> </tr> </tbody> </table> <p>FRNWCR16 cannot be used in combination with Vacuum Plumbing No.10. For orders larger than indicated quantity, please check with WOS.</p>	Part Number	Type	No.	A	B	Unit Price	FRNWCR	16	17	16			25	26	25			40	41	40			50	52	50																																										
Part Number	Type	No.	A	B	Unit Price																																																															
FRNWCR	16	17	16																																																																	
	25	26	25																																																																	
	40	41	40																																																																	
	50	52	50																																																																	
 <p>RoHS10</p>	<p>FRNWR</p>  <p>Max. Operation Temperature: 150°C Material Ring: SUS304 O-Ring: Fluororubber</p>																																																																			
	<table border="1"> <thead> <tr> <th>Part Number</th> <th>Type</th> <th>No.</th> <th>A</th> <th>B</th> <th>Unit Price</th> </tr> </thead> <tbody> <tr> <td rowspan="4">FRNWR</td> <td>16</td> <td>30</td> <td>32</td> <td></td> <td></td> </tr> <tr> <td>25</td> <td>40</td> <td>42</td> <td></td> <td></td> </tr> <tr> <td>40</td> <td>55</td> <td>57</td> <td></td> <td></td> </tr> <tr> <td>50</td> <td>75</td> <td>77</td> <td></td> <td></td> </tr> </tbody> </table> <p>FRNWR can be commonly used for No.10 and 16. For orders larger than indicated quantity, please check with WOS. Features: Center rings prevent O-Rings from falling off and suppress deformation.</p>	Part Number	Type	No.	A	B	Unit Price	FRNWR	16	30	32			25	40	42			40	55	57			50	75	77																																										
Part Number	Type	No.	A	B	Unit Price																																																															
FRNWR	16	30	32																																																																	
	25	40	42																																																																	
	40	55	57																																																																	
	50	75	77																																																																	
 <p>RoHS10</p>	<p>FRNWC</p>  <p>Max. Operation Temperature: 200°C Material Main Body: Aluminum Thread: SUS304</p>																																																																			
	<table border="1"> <thead> <tr> <th>Part Number</th> <th>Type</th> <th>No.</th> <th>d</th> <th>D</th> <th>L</th> <th>T</th> <th>Unit Price</th> </tr> </thead> <tbody> <tr> <td rowspan="4">FRNWC</td> <td>16</td> <td>20</td> <td>42</td> <td>61</td> <td>17</td> <td></td> <td></td> </tr> <tr> <td>25</td> <td>30</td> <td>52</td> <td>72</td> <td>17</td> <td></td> <td></td> </tr> <tr> <td>40</td> <td>44</td> <td>70</td> <td>90</td> <td>17</td> <td></td> <td></td> </tr> <tr> <td>50</td> <td>62</td> <td>94</td> <td>123</td> <td>25</td> <td></td> <td></td> </tr> </tbody> </table> <p>Commonly used for No.10 and 16. For orders larger than indicated quantity, please check with WOS.</p>	Part Number	Type	No.	d	D	L	T	Unit Price	FRNWC	16	20	42	61	17			25	30	52	72	17			40	44	70	90	17			50	62	94	123	25																																
Part Number	Type	No.	d	D	L	T	Unit Price																																																													
FRNWC	16	20	42	61	17																																																															
	25	30	52	72	17																																																															
	40	44	70	90	17																																																															
	50	62	94	123	25																																																															
 <p>RoHS10</p>	<p>FRNWB</p>  <p>Max. Operation Temperature: 200°C Material: SUS304</p>																																																																			
	<table border="1"> <thead> <tr> <th>Part Number</th> <th>Type</th> <th>No.</th> <th>A</th> <th>B</th> <th>C</th> <th>D</th> <th>T</th> <th>Unit Price</th> </tr> </thead> <tbody> <tr> <td rowspan="5">FRNWB</td> <td>10</td> <td>30</td> <td>12.2</td> <td>6.0</td> <td></td> <td rowspan="5">2.5</td> <td rowspan="5">5</td> <td></td> </tr> <tr> <td>16</td> <td>30</td> <td>17.2</td> <td>11.0</td> <td></td> <td></td> </tr> <tr> <td>25</td> <td>40</td> <td>26.2</td> <td>20.0</td> <td></td> <td></td> </tr> <tr> <td>40</td> <td>55</td> <td>41.2</td> <td>35.0</td> <td></td> <td></td> </tr> <tr> <td>50</td> <td>75</td> <td>52.2</td> <td>46.0</td> <td></td> <td></td> </tr> </tbody> </table> <p>For orders larger than indicated quantity, please check with WOS.</p>	Part Number	Type	No.	A	B	C	D	T	Unit Price	FRNWB	10	30	12.2	6.0		2.5	5		16	30	17.2	11.0			25	40	26.2	20.0			40	55	41.2	35.0			50	75	52.2	46.0																											
Part Number	Type	No.	A	B	C	D	T	Unit Price																																																												
FRNWB	10	30	12.2	6.0		2.5	5																																																													
	16	30	17.2	11.0																																																																
	25	40	26.2	20.0																																																																
	40	55	41.2	35.0																																																																
	50	75	52.2	46.0																																																																
 <p>RoHS10</p>	<p>FRVF</p>  <p>Max. Operation Temperature: 200°C Material: SUS304</p>																																																																			
	<table border="1"> <thead> <tr> <th>Part Number</th> <th>Type</th> <th>No.</th> <th>D</th> <th>P.C.D</th> <th>T</th> <th>d</th> <th>Hole Machined Type</th> <th>Unit Price</th> </tr> </thead> <tbody> <tr> <td rowspan="5">FRVF</td> <td>10A</td> <td>70</td> <td>50</td> <td>8</td> <td>10</td> <td>17.8</td> <td>E1</td> <td>FRVF</td> </tr> <tr> <td>20A</td> <td>80</td> <td>60</td> <td>8</td> <td>10</td> <td>27.7</td> <td></td> <td>FRVA</td> </tr> <tr> <td>25A</td> <td>90</td> <td>70</td> <td>8</td> <td>10</td> <td>34.4</td> <td></td> <td></td> </tr> <tr> <td>40A</td> <td>105</td> <td>85</td> <td>10</td> <td>10</td> <td>49.1</td> <td></td> <td></td> </tr> <tr> <td>50A</td> <td>120</td> <td>100</td> <td>10</td> <td>10</td> <td>61.1</td> <td></td> <td></td> </tr> </tbody> </table> <p>For orders larger than indicated quantity, please check with WOS.</p>	Part Number	Type	No.	D	P.C.D	T	d	Hole Machined Type	Unit Price	FRVF	10A	70	50	8	10	17.8	E1	FRVF	20A	80	60	8	10	27.7		FRVA	25A	90	70	8	10	34.4			40A	105	85	10	10	49.1			50A	120	100	10	10	61.1																			
Part Number	Type	No.	D	P.C.D	T	d	Hole Machined Type	Unit Price																																																												
FRVF	10A	70	50	8	10	17.8	E1	FRVF																																																												
	20A	80	60	8	10	27.7		FRVA																																																												
	25A	90	70	8	10	34.4																																																														
	40A	105	85	10	10	49.1																																																														
	50A	120	100	10	10	61.1																																																														
 <p>RoHS10</p>	<p>FRVG</p>  <p>Max. Operation Temperature: 200°C Material: SUS304</p>																																																																			
	<table border="1"> <thead> <tr> <th>Part Number</th> <th>Type</th> <th>No.</th> <th>D</th> <th>P.C.D</th> <th>T</th> <th>d</th> <th>G1</th> <th>G2</th> <th>Hole Machined Type</th> <th>Applicable O-Ring Size</th> <th>Unit Price</th> </tr> </thead> <tbody> <tr> <td rowspan="5">FRVG</td> <td>10A</td> <td>70</td> <td>50</td> <td>8</td> <td>10</td> <td>24</td> <td>34</td> <td>17.8</td> <td>V24</td> <td></td> <td></td> </tr> <tr> <td>20A</td> <td>80</td> <td>60</td> <td>8</td> <td>10</td> <td>34</td> <td>44</td> <td>27.7</td> <td>V34</td> <td></td> <td></td> </tr> <tr> <td>25A</td> <td>90</td> <td>70</td> <td>8</td> <td>10</td> <td>40</td> <td>50</td> <td>34.4</td> <td>V40</td> <td></td> <td></td> </tr> <tr> <td>40A</td> <td>105</td> <td>85</td> <td>10</td> <td>10</td> <td>55</td> <td>65</td> <td>49.1</td> <td>V55</td> <td></td> <td></td> </tr> <tr> <td>50A</td> <td>120</td> <td>100</td> <td>10</td> <td>10</td> <td>70</td> <td>80</td> <td>61.1</td> <td>V70</td> <td></td> <td></td> </tr> </tbody> </table> <p>For orders larger than indicated quantity, please check with WOS.</p>	Part Number	Type	No.	D	P.C.D	T	d	G1	G2	Hole Machined Type	Applicable O-Ring Size	Unit Price	FRVG	10A	70	50	8	10	24	34	17.8	V24			20A	80	60	8	10	34	44	27.7	V34			25A	90	70	8	10	40	50	34.4	V40			40A	105	85	10	10	55	65	49.1	V55			50A	120	100	10	10	70	80	61.1	V70	
Part Number	Type	No.	D	P.C.D	T	d	G1	G2	Hole Machined Type	Applicable O-Ring Size	Unit Price																																																									
FRVG	10A	70	50	8	10	24	34	17.8	V24																																																											
	20A	80	60	8	10	34	44	27.7	V34																																																											
	25A	90	70	8	10	40	50	34.4	V40																																																											
	40A	105	85	10	10	55	65	49.1	V55																																																											
	50A	120	100	10	10	70	80	61.1	V70																																																											

Ordering Example Part Number FRNWC25



Features
These vacuum pipes are for auxiliary exhaust system of High Vacuum System or rough vacuum fitting of an Ultrahigh Vacuum System. The plumbing parts of NW (KF) Flanged Type enables frequent detachment without tools compliant with ISO or KF.

Specifications
Dimensions and shapes are compliant with ISO2861/1-1974 - JISB8365: 1988.

Ordering Example Part Number FRNWF16