


Flat Air Nozzles

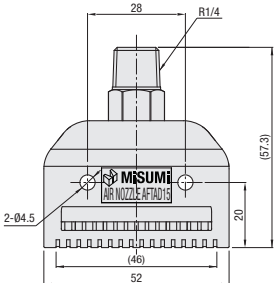
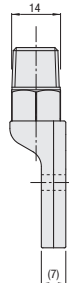
Air-Amplified Standard Type

Air blow videos are now on the web! [MISUMI Nozzles Videos](#) [Search](#) <http://jp.misumi-ec.com/>



RoHS 10

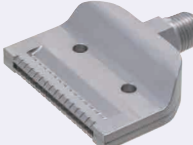
Type	Material	Max. Operating Pressure	Thread Breakdown Torque	Heat Resistance Temp.
AFTAD	PPS Resin	0.7MPa	10N·m	200°C

Features
Air volume and speed out of the orifices are increased by taking surrounding air.
High colliding force with less air enables energy saving and air consumption reduction.
PPS Resin is used to improved oil and heat resistance.
Grooves are provided at the tip of the nozzle to protect the orifice.
⚠ To prevent damage
• Avoid excessive tightening of screws.
• Avoid shocks to the screws.

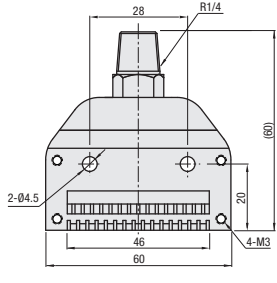

Part Number	Orifice	Air Flow Rate NL/Min (for 0.3MPa)	Weight (g)	Unit Price 1 ~ 4 pc(s)	Volume Discount Rate 5~39	40~99	100~200
AFTAD	15	16-01	270	15			

⚠ For orders larger than indicated quantity, please check with WOS.



RoHS 10

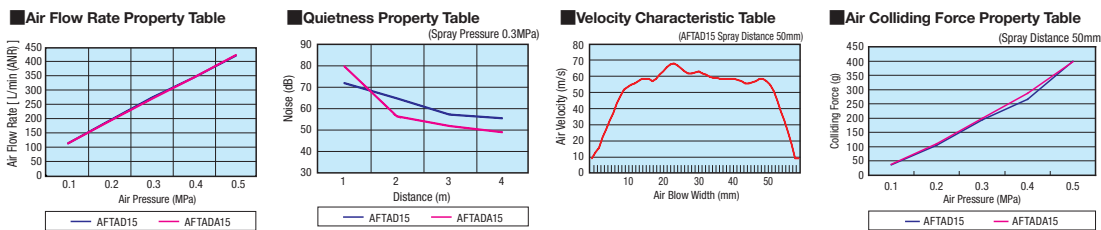
Type	Material	Max. Operating Pressure	Heat Resistance Temp.
AFTADA	A5052P	0.4MPa	200°C

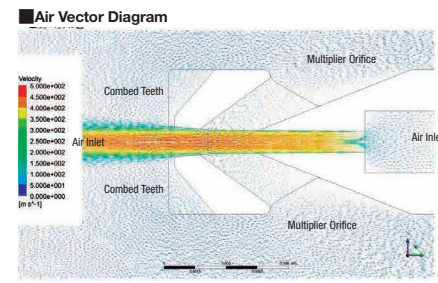
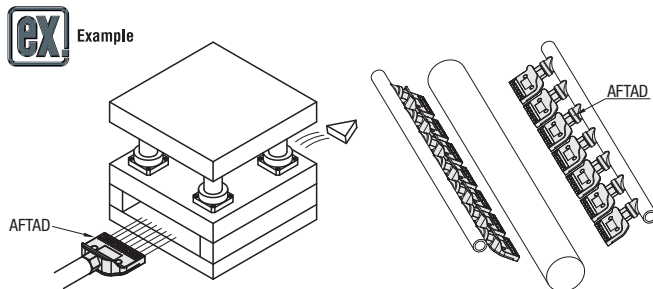
Features
Air volume and speed out of the orifices are increased by taking surrounding air.
High colliding force with less air enables energy saving and air consumption reduction.
Grooves are provided at the tip of the nozzle to protect the orifice.
⚠ Do not disassemble the main body.
⚠ For AFTADA, MISUMI logo, Product Name or Part Number is not engraved.

Part Number	Orifice	Air Flow Rate NL/min (for 0.3MPa)	Weight (g)	Unit Price 1 ~ 4 pc(s)	Volume Discount Rate 5~9	10~19	20~30
AFTADA	15	16-01	270	60			

⚠ For orders larger than indicated quantity, please check with WOS.




⚠ Listed Flow Rate is Supplied Flow Rate, not Discharged Flow Rate.
⚠ Values on the graph are for reference, not guaranteed.



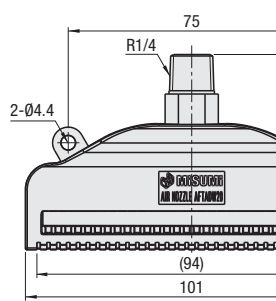

Flat Air Nozzles

Air-Amplify Wide Type / Air-Amplify Compact Type



RoHS 10


Type	Material	Max. Operating Pressure	Thread Breakdown Torque	Heat Resistance Temp.
AFTADW	PPS Resin	0.7MPa	10N·m	200°C

Features
Blow Port width approx. two times as wide as Standard Type (AFTAD).
Air volume and speed out of the orifices are increased by taking surrounding air.
High colliding force with less air enables energy saving and air consumption reduction.
PPS Resin is used to improved oil and heat resistance.
Grooves are provided at the tip of the nozzle to protect the orifice.
Hex socket type connecting port allows easy replacement even when the damage to the thread occurs.
⚠ To prevent damage
• Avoid excessive tightening of screws.
• Avoid shocks to the screws.

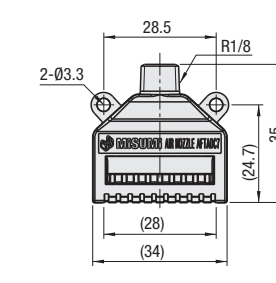

Part Number	Orifice	Air Flow Rate NL/min (for 0.3MPa)	Weight (g)	Unit Price 1 ~ 4 pc(s)	Volume Discount Rate 5~39	40~99	100~200
AFTADW	20	32-01	410	28			

⚠ For orders larger than indicated quantity, please check with WOS.



RoHS 10

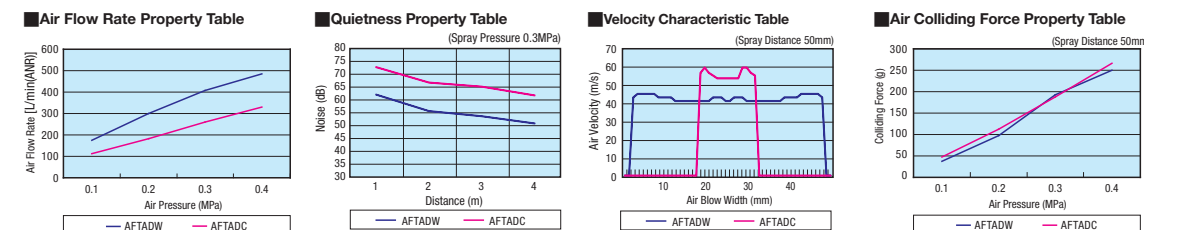
Type	Material	Max. Operating Pressure	Heat Resistance Temp.
AFTADC	PPS Resin	0.7MPa	200°C

Features
More compact than Standard Type (AFTAD). (Width: Approx. 35%, Overall Length: Approx. 40% more compact)
Air volume and speed out of the orifices are increased by taking surrounding air.
High colliding force with less air enables energy saving and air consumption reduction.
PPS Resin is used to improved oil and heat resistance.
Grooves are provided at the tip of the nozzle to protect the orifice.
Hex socket type connecting port allows easy replacement even when the damage to the thread occurs.
⚠ To prevent damage
• Avoid excessive tightening of screws.
• Avoid shocks to the screws.

Part Number	Orifice	Air Flow Rate NL/min (for 0.3MPa)	Weight (g)	Unit Price 1 ~ 4 pc(s)	Volume Discount Rate 5~39	40~99	100~200
AFTADC	7	10-01	260	7			

⚠ For orders larger than indicated quantity, please check with WOS.



⚠ Listed Flow Rate is Supplied Flow Rate, not Discharged Flow Rate.
⚠ Values on the graph are for reference, not guaranteed.