

# Holder

## Side Mount, Flange Type

■ Features: Prepared for types with different hardness.



RoHS10

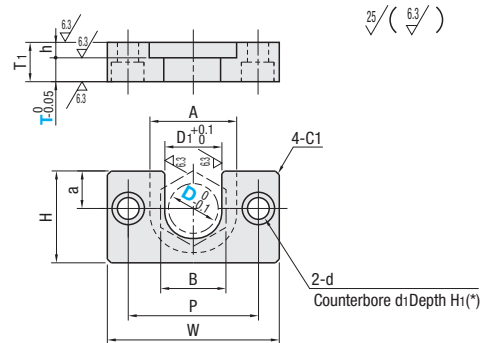
■ T Fixed

Type	Material	Surface Treatment	Hardness
HLRA	S45C Equivalent	Salt-bath Nitriding	500HV~
HLRASW	SUS304 Equivalent	Nitriding Treatment	1000HV~
HLRASS		-	-
HLRAC	-	Hard Chrome Plating	700HV~

■ T Configurable

Type	Material	Surface Treatment	Hardness
HLRAF	S45C Equivalent	Salt-bath Nitriding	500HV~

- ⊕ Salt-bath Nitriding may cause uneven color, which doesn't affect mechanical function.
- ⊕ For details on Salt-bath Nitriding, see P.1907.
- ⊕ \* Holes for HLRAF are straight holes, not counterbored.



■ T Fixed

Part Number Type	D	T	B	D1	A	T1	h	W	H	a	P	d	d1	H1	Unit Price			
															HLRA	HLRASW	HLRASS	HLRAC
4	4	6	4.5	9	8	4	30	10	4	20	4.5	8	4.4	-	-	-	-	
6	4	8	6.5	12	8	4	34	13	5	24	4.5	8	4.4	-	-	-	-	
7	4	10	8	14	8	4	36	15	6	26	4.5	8	4.4	-	-	-	-	
8	6	12	9	17	10	4	42	18	7	30	5.5	9.5	5.4	-	-	-	-	
10	6	14	11	19	11	4	44	20	8	32	5.5	9.5	5.4	-	-	-	-	
13	8	17	14	23	13	5	52	24	10	38	6.6	11	6.5	-	-	-	-	
16	8	21	18	28	13	5	56	30	12	42	6.6	11	6.5	-	-	-	-	
18	12	23	20	31	17	5	66	34	14	48	9	14	8.6	-	-	-	-	
21	12	26	23	34	17	5	70	36	15	52	9	14	8.6	-	-	-	-	
25	15	30	27	38	21	6	84	43	19	62	11	17	10.5	-	-	-	-	
27	20	32	29	40	27	7	-	-	-	-	-	-	-	-	-	-	-	

■ T Configurable

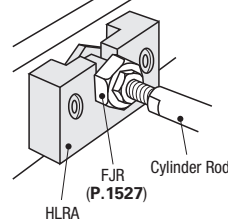
Part Number Type	D	T	B	D1	A	T1	h	W	H	a	P	d	d1	H1	Unit Price	
															HLRAF	HLRACB
6	3~6	8	6.5	12	8	4	34	13	5	24	4.5	8	4.4	-	-	
7	3~8	10	8	14	8	4	36	15	6	26	4.5	8	4.4	-	-	
8	3~10	12	9	17	10	4	42	18	7	30	5.5	9.5	5.4	-	-	
10	3~12	14	11	19	11	4	44	20	8	32	5.5	9.5	5.4	-	-	
13	4~12	17	14	23	13	5	52	24	10	38	6.6	11	6.5	-	-	
16	5~15	21	18	28	13	5	56	30	12	42	6.6	11	6.5	-	-	
21	6~15	26	23	34	17	6	70	36	15	52	9	14	8.6	-	-	
25	8~20	30	27	38	21	6	84	43	19	62	11	17	10.5	-	-	
27	12~20	32	29	40	27	7	-	-	-	-	-	-	-	-	-	

Ordering Example: Part Number - T  
HLRA8 - 3

Example: HLRA8

Alterations: Part Number - (HC)  
HLRA8 - HC30

App. Example of Floating Joints and Holders

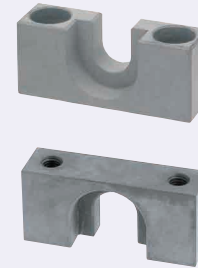


Alteration Code	Height HC	
⊕ Available for HLRA only.	HC	
⊕ The range of HC is shown as below.	HC	
D	HC 1mm Increment	a
4	12-20	4
6	16-25	6
7	18-30	7
8	22-30	8
10	24-35	10
13	28-40	13
16	36-45	16
18	40-50	18
21	42-50	21
25	48-60	25
⊕ Not applicable to D27.		

# Holder

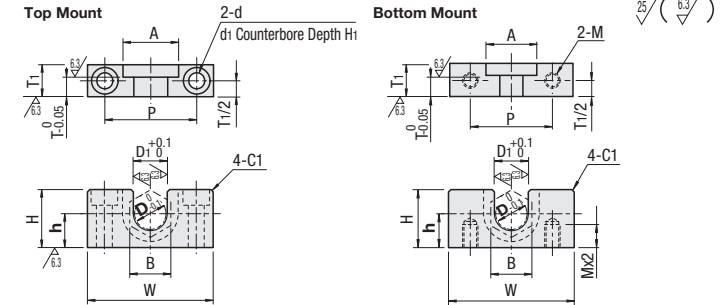
## Top/Bottom Mount, Flange Type

■ Features: Up/down mounting direction and height is also configurable.



RoHS10

Mounting method	Height h Fixed	Height h Configurable	Material	Surface Treatment	Hardness
Top Mount	HLRC	HLRCH	S45C Equivalent	Salt-bath Nitriding	500HV~
Bottom Mount	HLRCB	HLRCHB			



- ⊕ Salt-bath Nitriding may cause uneven color, which doesn't affect mechanical function.
- ⊕ For details on Salt-bath Nitriding, see P.1907.

■ h Fixed

Part Number Type	D	h	H	B	D1	A	T	T1	W	P	d	d1	H1	M	Unit Price	
															HLRC	HLRCB
4	6	h+4	6	4.5	9	8	8	30	20	3.5	6.5	3.5	3	-	-	
6	8	h+5	8	6.5	12	4	10	34	24	4.5	8	4.5	4	-	-	
7	9	h+6	10	8	14	6	10	36	26	4.5	8	4.5	4	-	-	
8	11	h+7	12	9	17	8	12	42	30	5.5	9.5	5.5	5	-	-	
10	12	h+8	14	11	19	6	12	44	32	5.5	9.5	5.5	5	-	-	
13	14	h+10	17	14	23	8	13	52	38	6.6	11	6.5	6	-	-	
16	18	h+12	21	18	28	8	13	56	42	6.6	11	6.5	6	-	-	
18	20	h+14	23	20	31	12	17	66	48	9	14	9	8	-	-	
21	21	h+15	26	23	34	12	17	70	52	9	14	9	8	-	-	
25	24	h+19	30	27	38	15	21	84	62	11	17	11	10	-	-	
27	24	h+19	32	29	40	20	27	84	62	11	17	11	10	-	-	

■ h Configurable

Part Number Type	D	h	H	B	D1	A	T	T1	W	P	d	d1	H1	M	Unit Price	
															HLRCH	HLRCHB
4	7~16	h+4	6	4.5	9	8	8	30	20	3.5	6.5	3.5	3	-	-	
6	9~20	h+5	8	6.5	12	4	10	34	24	4.5	8	4.5	4	-	-	
7	10~24	h+6	10	8	14	6	10	36	26	4.5	8	4.5	4	-	-	
8	12~23	h+7	12	9	17	8	12	42	30	5.5	9.5	5.5	5	-	-	
10	13~27	h+8	14	11	19	6	12	44	32	5.5	9.5	5.5	5	-	-	
13	15~30	h+10	17	14	23	8	13	52	38	6.6	11	6.5	6	-	-	
16	19~33	h+12	21	18	28	8	13	56	42	6.6	11	6.5	6	-	-	
18	21~36	h+14	23	20	31	12	17	66	48	9	14	9	8	-	-	
21	22~35	h+15	26	23	34	12	17	70	52	9	14	9	8	-	-	
25	23~41	h+19	30	27	38	15	21	84	62	11	17	11	10	-	-	
27	23~41	h+19	32	29	40	20	27	84	62	11	17	11	10	-	-	

Ordering Example: Part Number - h  
HLRC13 - 30