

Floating Joints - Flange Mounting

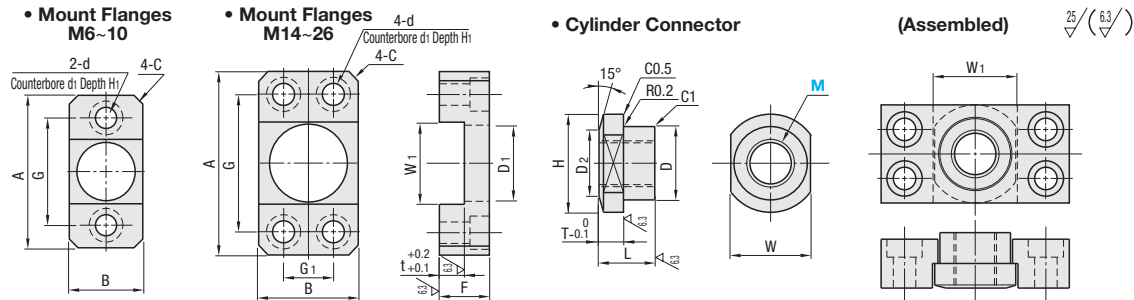
Square Flange / Square Flange - Thin

■ **Features:** Square flange makes it compact. A shorter design length can be realized when arranging in series.



RoHS 10

Type	Set	Mount Flanges		Cylinder Connector		
		Material	Surface Treatment	Material	Hardness	Surface Treatment
Square Flange Type	FJCF	S45C Equivalent	Black Oxide	S45C Equivalent	28~33HRC	Black Oxide
	FJCFM	SUS304	Electroless Nickel Plating	SUS304	-	Electroless Nickel Plating
	FJCFM	SUS304	-	SUS304	-	-
Square Flange - Thin	FJCFM	S45C Equivalent	Black Oxide	S45C Equivalent	28~33HRC	Black Oxide



Square Flange

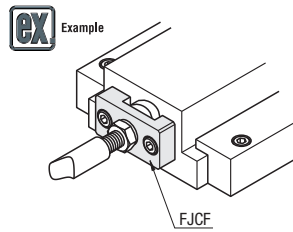
Part Number	Cylinder Connector							Mount Flanges												
	M	MxPitch	L	D	D2	H	T	W	A	G	B	G1	W1	D1	t	F	d	d1	H1	C
Set FJCF FJCFM FJCFM	6	6x1.0	10	12	11	16	4	13	38	26	16	-	14	13	4	8	4.5	8	4	2
	8	8x1.25	12	14	13	20	5	16	43	30	20	-	17	15	5	10	5.5	9.5	5	
	10	10x1.25	16	18	15	24	7	20	50	35	24	-	21	19	7	14				
	14	14x1.5	18	24	20	32	8	26	60	45	32	16	27	25	8	16	7	11	6	3
	18	18x1.5	20	30	26	38	9	33	75	55	38	20	34.5	31.5	9	18	10	14	8	
	22	22x1.5	24	35	30	48	11	40	90	65	48	25	42	37	11	22				
26	26x1.5	28	40	32	54	13	45	100	75	54	30	47	42	13	26	12	17.5	10	4	

Square Flange - Thin

Part Number	Cylinder Connector							Mount Flanges												
	M	MxPitch	L	D	D2	H	T	W	A	G	B	G1	W1	D1	t	F	d	d1	H1	C
Set FJCFM	10	10x1.25	8	18	15	24	3.5	20	50	35	24	-	21	19	3.5	7				
	14	14x1.5	9	24	20	32	4	26	60	45	32	16	27	25	4	8	7	11	4	3
	18	18x1.5	10	30	26	38	4.5	33	75	55	38	20	34.5	31.5	4.5	9	10	14	5	

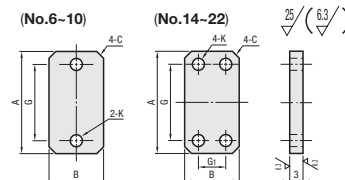
Ordering Example Part Number FJCF10

M	Unit Price			
	Square Flange	Square Flange - Thin		
6	FJCF	FJCFM	FJCFM	FJCFM
8				
10				
14				
18				
22				



Backing Plates

Type	Material	Hardness	Surface Treatment
BPFJ	S45CEquivalent	28~33HRC	Black Oxide
BPFJM	SUS304	-	Electroless Nickel Plating
BPFJS	SUS304	-	-



Part Number	Unit Price									
	Type	No.	A	G	B	G1	K	C	BPFJ	BPFJM
BPFJ BPFJM BPFJS	6	38	26	16	-	4.5	2			
	8	43	30	20	-	5.5				
	10	50	35	24	-	7				
	14	60	45	32	16		3			
	18	75	55	38	20	10				
	22	90	65	48	25	12	4			

Ordering Example Part Number BPFJ10

Floating Joints - Flange Mounting

Slide

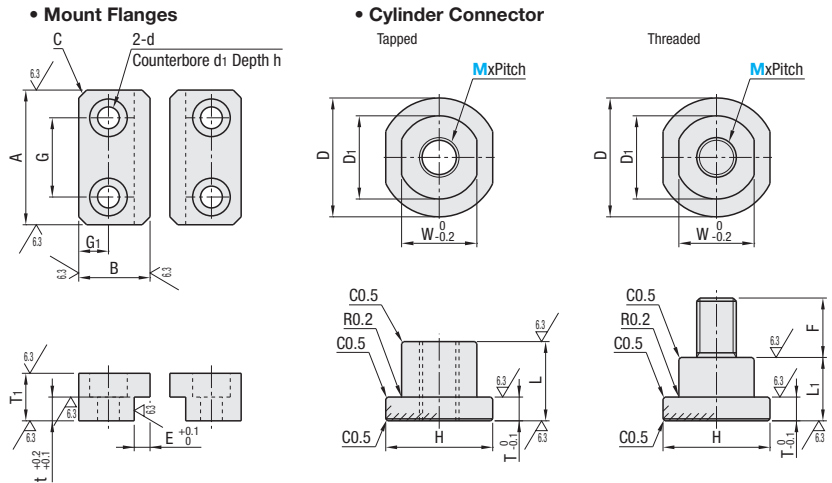
■ **Features:** Mounting pitch is configurable.



RoHS 10

Screws	Components			Mount Flanges			Cylinder Connector		
	Set	Cylinder Connector	Mount Flange	Material	Surface Treatment	Hardness	Material	Surface Treatment	Hardness
Tapped	FJY	-	FJY-H	S45C Equivalent	Black Oxide	40~45HRC	S45C Equivalent	Black Oxide	Section, 45~50HRC Induction Hardened Surface
Threaded	FJMY	FJMYN	-	-	-	-	-	-	-

25 / (6.3 / 6.3)



Mount Flange and Cylinder Connector - Sets / Mount Flange

Part Number	Cylinder Connector							Mount Flanges														
	Type	M	MxPitch	L	MxPitch	L1	F	D	D1	H	T	W	A	G	B	G1	E	t	T1	d	d1	h
Set Connector, Tapped FJY	6	6x1.0	14	6x1.0	11	13	20	14	18	4	12	22	12	14	6	3	4	8	4.5	8	4.5	2
	8	8x1.25	17	8x1.25	14	15	23	16	20	5	14	25	14	14	6	3	5	11	4.5	8	4.5	
	10	10x1.25	21	10x1.5	16	18	30	21	27	6	19	34	20	19	8	4	6	13	5.5	9.5	5	
	14	14x1.5	25	-	-	-	38	27	34	7	24	42	26	22	9	5	7	15	6.5	11	6.5	
	16	-	-	16x2.0	19	30	45	32	40	8	30	48	30	25	10	5	8	15	10	14	8	
	18	18x1.5	28	-	-	-	45	32	40	8	30	48	30	25	10	5	8	15	10	14	8	3
Connector, Threaded FJMY	10	10x1.25	21	10x1.5	16	18	30	21	27	6	19	34	20	19	8	4	6	13	5.5	9.5	5	
	14	14x1.5	25	-	-	-	38	27	34	7	24	42	26	22	9	5	7	15	6.5	11	6.5	
	16	-	-	16x2.0	19	30	45	32	40	8	30	48	30	25	10	5	8	15	10	14	8	
	18	18x1.5	28	-	-	-	45	32	40	8	30	48	30	25	10	5	8	15	10	14	8	3
Cylinder Connector Connector, Threaded FJMYN	10	10x1.25	21	10x1.5	16	18	30	21	27	6	19	34	20	19	8	4	6	13	5.5	9.5	5	
	14	14x1.5	25	-	-	-	38	27	34	7	24	42	26	22	9	5	7	15	6.5	11	6.5	
	16	-	-	16x2.0	19	30	45	32	40	8	30	48	30	25	10	5	8	15	10	14	8	
	18	18x1.5	28	-	-	-	45	32	40	8	30	48	30	25	10	5	8	15	10	14	8	3
Mount Flange FJY-H	20	-	-	20x2.5	20	32	56	40	50	10	36	60	38	28	11	7	10	18				
	22	22x1.5	33	22x2.5	23	35	56	40	50	10	36	60	38	28	11	7	10	18				

Ordering Example Part Number FJY18

M	Unit Price			
	Set	Cylinder Connector	Mount Flange (Set of 2 pcs.)	
6	FJY	FJMY	FJMYN	FJY-H
8				
10				
14				
16	-	-	-	
18	-	-	-	
20	-	-	-	
22				

■ **Features**
 1. Allowable lateral misalignment can be adjusted by adjusting the mounting pitch as desired.
 2. Sliding removal design is also suitable for frequent maintenance scheme.

Example Assembled (when Allowable Misalignment is 0.5mm)

