

Hinge Bases


L-Shaped Fulcrum Type

Thick Hinge Bases

L-Shaped Fulcrum Type

■Features: Prevent interference by shifting Fulcrum.

■Features: Prevent interference by shifting Fulcrum.




Type		Material	Surface Treatment
U-Shaped	T-Shaped	S45C Equivalent	Black Oxide
HGLTB	HGLNB	SUS304	Electroless Nickel Plating
HGLTM	HGLNM	-	-
HGLTS	-	-	-

$\sqrt{2.5} / (\sqrt{6.3} / \sqrt{1.6})$

U-Shaped

T-Shaped



Type		Material	Surface Treatment
U-Shaped	T-Shaped	S45C Equivalent	Black Oxide
HGLJB	HGLKB	SUS304	Electroless Nickel Plating
HGLJM	HGLKM	-	-
HGLJS	-	-	-

$\sqrt{2.5} / (\sqrt{6.3} / \sqrt{1.6})$

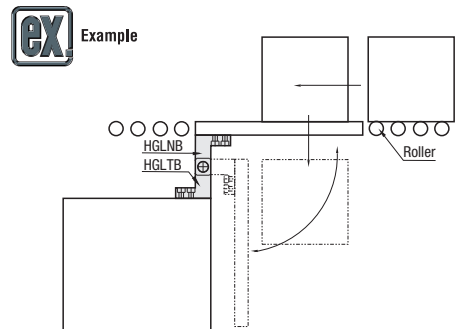
U-Shaped

T-Shaped

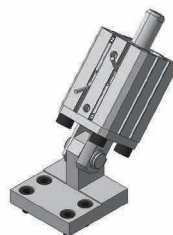
Part Number Type	DH7	W		H		A	F	P	X	B	S	T	d2	d1	H1
		1mm Increment	5mm Increment	1mm Increment	5mm Increment										
U-Shaped HGLTB HGLTM HGLTS	3	3~6	15~25	20	10	-	14.5	H+5	8	9	4.5	8	4.5		
	4	4~8	20~30	22	11	-	15.5	H+6	10	12	5.5	9.5	5.5		
	5	5~10	25~35	25	12	-	18.5	H+8	12	16	6.5	11	6.5		
	6	6~12	30~40	28	14	-	24	H+10	14	19	7.5	12	7.5		
	8	8~16	35~45	32	20	-	27	H+12	15	22	8.5	14	8.5		
	10	10~18	40~50	38	25	-	33	H+14	17	25	9.5	16	9.5		
	12	12~30		45	28	12	25	H+17	18	30	10.5	17	10.5		
	13	13~30		50	34	14	28								
	14	14~24		60	40	17	33								
	15	15~24		65	45	17	38								
T-Shaped HGLNB HGLNM	16	16~24													
	20	20~30													
	25	25~35													

Part Number Type	DH7	T Selection	W		H		A	F	P	X	S	d2	d1	H1	C	Unit Price	
			1mm Increment	5mm Increment	1mm Increment	5mm Increment										U-Shaped	T-Shaped
U-Shaped HGLJB HGLJM HGLJS	4	12	4~8	20~30	25	12	18.5	7.5	4.5	8	4.5	8	4.5	3			
	5	16	5~10	21~31	28	20	22	9.5	5.5	9.5	5.5	9.5	5.5	4			
	6	16	6~12	25~35	32	20	22	11.5	6.5	11	6.5	11	6.5	5			
	8	19	8~16	30~40	38	25	25.5	12	7.5	12	7.5	12	7.5	6			
	10	19	10~20	35~45	45	30	27.5	15	8.5	14	8.5	14	8.5	7			
	12	22	12~30	40~50	50	35	28.5	17	9.5	16	9.5	16	9.5	8			
	13	22	13~30		60	40	28.5	17	10.5	17	10.5	17	10.5	9			
	14	25	14~30		65	45	35	16	11.5	18	11.5	18	11.5	10			
	15	25	14~30		70	45	37.5	16	12.5	19	12.5	19	12.5	11			
	16	30	14~30				37.5	16	13.5	20	13.5	20	13.5	12			
T-Shaped HGLKB HGLKM	20	30	20~35	40~50	65	45	39	16	9	14	9	14	9	11			
	25	38	25~35		70	45	46	16	9	14	9	14	9	11			

Ordering Example
 Part Number - W - H
 HGLTS20 - W20 - H40
 HGLNB12 - W12 - H35



Combination of these app. examples can be selected on our website.
 For details of selections [P.87](#)
 *Enter the search keyword in the search box on e-Catalog. The search result will be shown in "Modular Assembler" area.
 e-Catalog Search Keyword
 #MA704 Search



DH7	Unit Price				
	U-Shaped			T-Shaped	
	HGLTB	HGLTM	HGLTS	HGLNB	HGLNM
3					
4					
5					
6					
8					
10					
12					
13					
14					
15					
16					
20					
25					

Ordering Example
 Part Number - T - W - H
 HGLKM16 - T30 - W25 - H42
 HGLKB10 - T19 - W15 - H35

■List of Diameter (DH7), Thickness (T) and Thickness on One Side

DH7	Hinge Bases Standard (P.1585)			Hinge Bases Thick		
	T	Thickness on One Side (T-DH7)/2	T	Thickness on One Side (T-DH7)/2	T	Thickness on One Side (T-DH7)/2
4	9	2.5	12	4	-	-
5	12	3.5	16	5.5	19	7
6	16	3	19	5	22	6.5
8	16	4	19	5.5	22	7
10	16	3	19	4.5	22	6
12	19	3.5	22	5	25	6.5
13	19	3	22	4.5	25	6
14	19	4	22	5.5	25	8
15	22	3.5	25	5	30	7.5
16	22	3	25	4.5	30	7
20	25	2.5	30	5	38	9
25	30	2.5	38	6.5	-	-

■Features: The hole's thickness on one side is selectable by working load.