


Knuckle Joints

Tapped, Configurable

Knuckle Joints

Threaded, Configurable

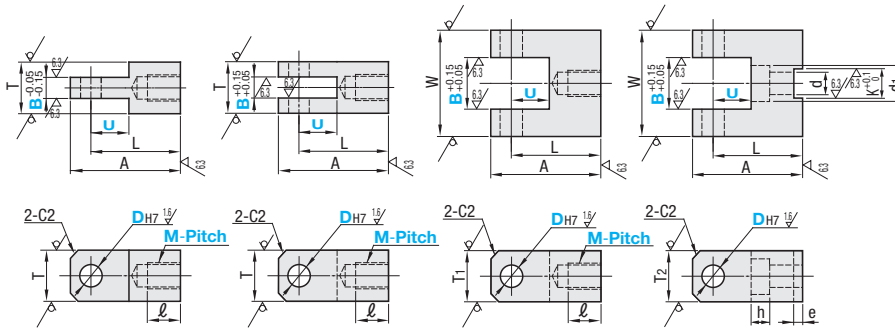
■ Features: Various Concave Tapped types are available.



Convex Type	Concave Type				Material	Surface Treatment
	Standard Type	Wide Type	Bolt Fixing Type			
FNNB	FNTB	FNTWB	FNTFB		S45C Equivalent	Black Oxide
FNNM	FNTM	FNTWM	-			Electroless Nickel Plating
FNNS	FNTS	FNTWS	-		SUS304	-

25 / (∇ 6.3 / 1.6 / ∇)

Convex Type Standard Concave Type Wide Concave Type Bolt Fixing Concave Type



2-C2 D_{H7} 1/2 M-Pitch

⚠ Thread depth ℓ: For M3 ~ 8, the thread depth is ℓ=Mx1.5;
For M10 - 26, the thread depth is ℓ=Mx1

Part Number	Type	M-Pitch	D _{H7} Selection	B 1mm Increment				U 5mm Increment	A	L	T	T ₁	T ₂	W	d	h	d ₁	K	e
				Convex Type	Concave Type														
					Standard Type	Wide Type	Bolt Fixing Type												
Convex Type FNNB FNNM FNNS		*3-0.5	3 4 5	3~10	3~5	6~10	6~10	10~20	L+6	U+10	10	9	10	19	3.2	3.5	6.5	5	2.5
		*4-0.7									12	12	12	25	5.2	5.5	9.5	8	3.5
		*5-0.8									16	16	16	32	8.2	9	14	14	4
		*6-1.0									20	19	25	38	10.2	11	18	17	4
Standard Concave Type FNTB FNTM FNTS		8-1.0	5 6 8	5~16	5~8	9~16	-	10~30	L+8	U+20	16	16	20	32	-	-	-	-	-
		*8-1.25									20	19	25	38	-	-	-	-	-
		10-1.25									24	23	28	44	-	-	-	-	-
		-									28	27	32	44	-	-	-	-	-
Wide Concave Type FNTWB FNTWM FNTWS		*10-1.5	6 8 10	6~20	6~10	11~20	11~20	15~30	L+10	U+25	22	22	-	44	-	-	-	-	-
		12-1.25									26	25	32	44	-	-	-	-	-
		12-1.5									30	29	36	44	-	-	-	-	-
		14-1.5									34	33	40	44	-	-	-	-	-
Bolt Fixing Concave Type (Only * marked sizes) FNTFB		16-1.5	10 12 13 14 15 16	10~25	10~13	14~25	-	20~30	L+12	U+30	25	25	-	50	-	-	-	-	-
		18-1.5									28	28	30	-	-	-	-	-	
		22-1.5									32	32	32	-	-	-	-	-	
		26-1.5									38	38	38	-	-	-	-	-	

- ⚠ Only * marked sizes are available for Bolt Fixing Concave Type (FNTFB).
- ⚠ For Bolt Fixing Concave Type (FNTFB), when B<d₁ is specified, the knuckle joint shape is as the lower right photo shown above.
- ⚠ For M22 - 1.5 and M26 - 1.5, only Convex Type and Standard Concave Type are available.

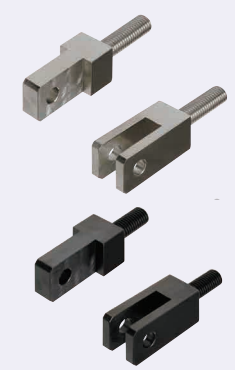
Ordering Example

Part Number - D - B - U

Example FNNB8-1.0 - D6 - B8 - U20
FNTWM6-1.0 - D6 - B9 - U10

Type	Unit Price										
	Convex Type			Standard Concave Type			Wide Concave Type			Bolt Fixing Concave Type	
M-Pitch	FNNB	FNNM	FNNS	FNTB	FNTM	FNTS	FNTWB	FNTWM	FNTWS	FNTFB	
3-0.5											
4-0.7											
5-0.8											
6-1.0											
8-1.0											-
8-1.25											-
10-1.25											-
10-1.5											-
12-1.25											-
12-1.5											-
14-1.5											-
16-1.5											-
18-1.5											-
22-1.5											-
26-1.5											-

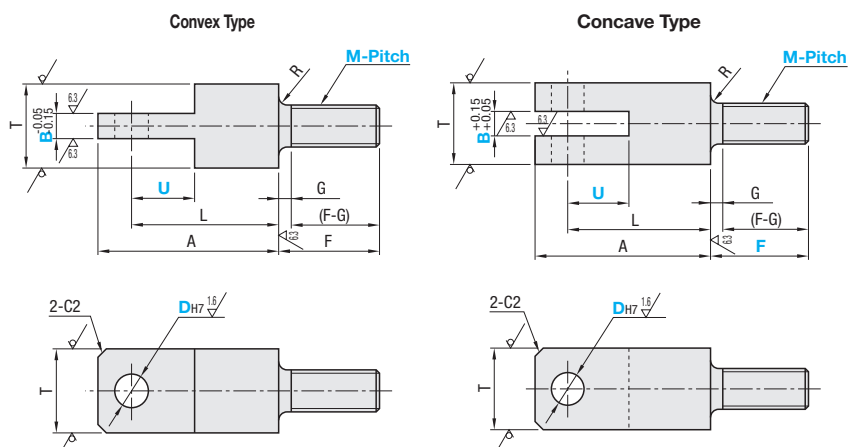
■ Features: Convex/Concave Selectable Threaded Type.



Convex Type	Concave Type		Material	Surface Treatment
	F Fixed	F Configurable		
FNMB	FNMTB	FNMTBF	S45C Equivalent	Black Oxide
FNMS	FNMTS	-	SUS304	-

25 / (∇ 6.3 / 1.6 / ∇)

Convex Type Concave Type



2-C2 D_{H7} 1/2 M-Pitch

⚠ The end face of the screw may have a cantering hole.

Part Number	Type	M-Pitch	D _{H7} Selection	B 1mm Increment		U 5mm Increment	F							
				Convex Type	Concave Type		Standard	Configurable 1mm Increment	A	L	T	G	R	
Convex Type F Fixed FNMB FNMS		3-0.5	3 4 5	3-10	3-5	10~20	9	8~12	L+5	U+10	10	3	0.8	
		4-0.7					12	10~16			12	4		
		5-0.8					14	12~19			16	4		
		6-1.0					16	13~22			20	4		
Concave Type F Fixed F Configurable FNMTB FNMTBF FNMTS		8-1.25	5 6 8	5-16	5-8	15~30	20	16~28	L+8	U+15	16	5	1.6	
		10-1.5					25	20~35			L+10	20		7
		16-2.0					39	31~55			L+16	32		9
		20-2.5					49	39~69			L+19	38		9

Ordering Example

Part Number - D - B - U - F

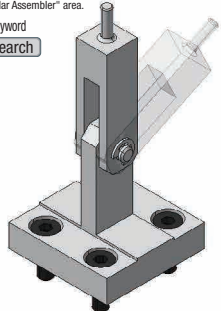
Example FNMB8-1.25 - D8 - B9 - U20
FNMTBF10-1.5 - D10 - B7 - U25 - F30

Example

Combination of these app. examples can be selected on our website. For details of selections see P87

*Enter the search keyword in the search box on e-Catalog. The search result will be shown in "Modular Assembler" area.

e-Catalog Search Keyword
#MA602 Search



M-Pitch	Unit Price				
	Convex Type		Concave Type		
	F Fixed	FNMS	F Fixed	FNMTS	F Configurable
	FNMB	FNMS	FNMTB	FNMTS	FNMTBF
3-0.5					
4-0.7					
5-0.8					
6-1.0					
8-1.25					
10-1.5					
16-2.0					
20-2.5					