

Note that, for some of the types shown here, order might be unable to be received by the MISUMI Thailand, Malaysia, Indonesia, and/or India offices.

Hex Socket Head Cap Screws

Stainless Steel (Available in Box)

Hex Socket Head Cap Screws

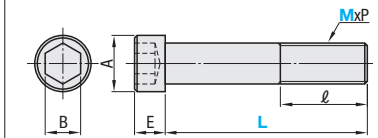
Stainless Steel (Available in Single item)



RoHS10

Type	Material
BOX-SCB	SUS304 Equivalent

Strength Class A2-70



MxP (Coarse)	A	E	B
2 x0.4	3.8	2	1.5
2.5x0.45	4.5	2.5	2
2.6x0.45	4.5	2.6	2
3 x0.5	5.5	3	2.5
4 x0.7	7	4	3
5 x0.8	8.5	5	4
6 x1.0	10	6	5
8 x1.25	13	8	6
10 x1.5	16	10	8

Can be ordered as a separate item. P.174

*The strength class signifies the screw's tensile strength.
(Ex.) A2 - 70
This indicates that the minimum value of tensile strength is 700N/mm².
The steel class is A2 (Austenitic Stainless Steel)

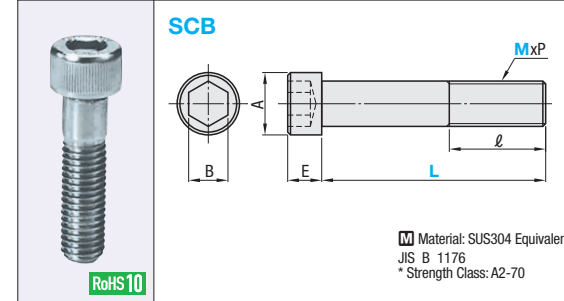
Please specify in box quantity when ordering.
One box is shipped for an order of 1.

Ordering Example
Part Number
BOX-SCB3-6

Box package is cost-saving for in-house stock or when large quantities are needed.

ℓ	Part Number		Unit Price 1 to 10 boxes		Pcs./Box								
	Type	M-L	Price per pkg.	1 Box									
18	Studs - Fully Threaded	BOX-SCB (Stainless Steel)	2- 5		1,000 pcs./box								
			8										
			10										
			12										
			15										
			2.5- 5										
			8										
			10										
			2.6- 5										
			8										
			10										
			3- 5										
			6										
			8										
			10										
12													
15													
20													
25													
30													
20	Studs - Fully Threaded	BOX-SCB (Stainless Steel)	4- 5		500 pcs./box								
			6										
			8										
			10										
			12										
			15										
			20										
			25										
			30										
			35										
			40										
			22	Studs - Fully Threaded		BOX-SCB (Stainless Steel)	5- 8		1,000 pcs./box				
							10						
							12						
							15						
20													
25													
30													
35													
40													
24	Studs - Fully Threaded	BOX-SCB (Stainless Steel)			6- 8			1,000 pcs./box					
					10								
					12								
					15								
					20								
					25								
			30										
			35										
			40										
			28	Studs - Fully Threaded	BOX-SCB (Stainless Steel)	8-12			500 pcs./box				
						15							
						20							
						25							
						30							
						35							
40													
28	Studs - Fully Threaded	BOX-SCB (Stainless Steel)				10-20		200 pcs./box					
						25							
						30							
						35							
						40							
						28	Studs - Fully Threaded			BOX-SCB (Stainless Steel)	10-20		150 pcs./box
											25		
											30		
			35										
			40										

When you need large quantities, box packaging is more economical. P.173



Material: SUS304 Equivalent
JIS B 1176
* Strength Class: A2-70

MxP	A	E	B
2x0.4	3.8	2	1.5
2.5x0.45	4.5	2.5	2
2.6x0.45	4.5	2.6	2
3x0.5	5.5	3	2.5
4x0.7	7	4	3
5x0.8	8.5	5	4
6x1.0	10	6	5
8x1.25	13	8	6
10x1.5	16	10	8
12x1.75	18	12	10

*The strength class signifies the screw's tensile strength.

(Ex.) A2 - 70
This indicates that the minimum value of tensile strength is 700N/mm².
The steel class is A2 (Austenitic Stainless Steel)

Reference: Dimensions of Counterbore and Cap Screw Hole for Hex Socket Head Cap Screws P.1891

Part Number	Unit Price	Volume Discount Rate	Part Number	Unit Price	Volume Discount Rate
Type M- L	ℓ	1 - 9 pc(s), 10 - 29 pcs, 30 - 99 pcs, 100 - 500 pcs.	Type M- L	ℓ	1 - 9 pc(s), 10 - 29 pcs, 30 - 99 pcs, 100 - 500 pcs.
SCB 2- 3			SCB 4- 30		
4			35		
5			40	20	
6			45		
8			50		
10			SCB 5- 6		
12			8		
15			10		
SCB 2.5- 4			12		
5			14		
6			15		
8			16		
10			18		
12			20		
15			22		
SCB 2.6- 4			25		
5			30		
6			35		
8			40	22	
10			45		
12			50		
15			SCB 6- 8		
SCB 3- 4			10		
5			12		
6			14		
8			15		
10			16		
12			18		
14			20		
15			22		
16			25		
18			30		
20			35		
25			40		
30			45		
35			50		
40			55		
SCB 4- 5			60		
6			65		
8			70		
10			SCB 8- 10		
12			12		
14			14		
16			15		
18			16		
20					
22					
25					

Part Number	Unit Price	Volume Discount Rate	Part Number	Unit Price	Volume Discount Rate
Type M- L	ℓ	1 - 9 pc(s), 10 - 29 pcs, 30 - 99 pcs, 100 - 500 pcs.	Type M- L	ℓ	1 - 9 pc(s), 10 - 29 pcs, 30 - 99 pcs, 100 - 500 pcs.
SCB 4- 30			SCB 8- 18		
35			20		
40	20		22		
45			25		
50			30		
SCB 5- 6			35		
8			40		
10			45		
12			50		
14			55		
15			60	28	
16			65		
18			70		
20			75		
22			80		
25			SCB 10- 12		
30			14		
35			15		
40	22		16		
45			18		
50			20		
SCB 6- 8			25		
10			30		
12			35		
14			40		
15			45		
16			50		
18			55		
20			60	32	
22			65		
25			70		
30			75		
35			SCB 12- 15		
40			20		
45			25		
50			30		
55			35		
60			40		
65			45		
70			50		
75			55		
SCB 8- 10			60		
12			36		
14					
15					
16					

Part Number	Unit Price	Volume Discount Rate	Part Number	Unit Price	Volume Discount Rate
Type M- L	ℓ	1 - 9 pc(s), 10 - 29 pcs, 30 - 99 pcs, 100 - 500 pcs.	Type M- L	ℓ	1 - 9 pc(s), 10 - 29 pcs, 30 - 99 pcs, 100 - 500 pcs.
SCB 8- 18			SCB 10- 12		
20			14		
22			15		
25			16		
30			18		
35			20		
40			25		
45			30		
50			35		
55			40		
60	28		45		
65			50		
70			55		
75			60	32	
80			65		
SCB 10- 12			70		
14			75		
15			SCB 12- 15		
16			20		
18			25		
20			30		
25			35		
30			40		
35			45		
40			50		
45			55		
50			60		
55			36		
60					

Ordering Example
Part Number
SCB3-5