


# Hex Socket Set Screws

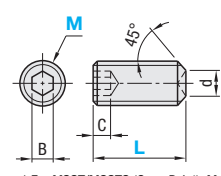
Cup Point/Flat End/Cone Point (Available in Single item)

MSSF, MSSFS, MSSK and MSSU can be ordered in cost-saving boxes. P209, 210

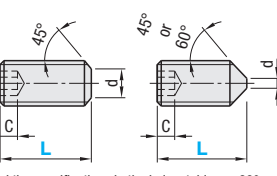
**MSSK**  
MSSU (Stainless Steel)



**MSSF**  
MSSFS (Stainless Steel)



**MSST**  
MSSTS (Stainless Steel)



Type	Material	Hardness	Surface Treatment
MSSK	SCM435		Black Oxide
MSSF	Equivalent	45HRC~	
MSST	Equivalent		Black Oxide
MSSU	SUS304		
MSSFS	Equivalent		
MSSTS	Equivalent		

MxP (Coarse)	B	C (Min.)	d (Max.)		
			Flat End	Cone Point	Cup Point
2x0.4	0.9	0.8	1	0.8	1
2.6x0.45	1.3	1.2	1.5	1.2	1.2
3x0.5	1.5	1.2	2	0.75	1.4
4x0.7	2	1.5	2.5	1	2
5x0.8	2.5	2	3.5	1.25	2.5
6x1.0	3	2	4	1.5	3
8x1.25	4	3	5.5	2	5
10x1.5	5	4	7	2.5	6
12x1.75	6	4.8	8.5	3	8

\* For MSST/MSSTS (Cone Point), M>L and the specifications in the below table are 60°. \* This product is manufactured based on JIS standards.

M-L	
2-3	3-4
4-5	5-6

Part Number	MSSK (Cup Point)		MSSF (Flat End)		MSST (Cone Point)		MSSU (Cup Point)		MSSFS (Flat End)		MSSTS (Cone Point)	
	Unit Price	Volume Discount Rate	Unit Price	Volume Discount Rate	Unit Price	Volume Discount Rate	Unit Price	Volume Discount Rate	Unit Price	Volume Discount Rate	Unit Price	Volume Discount Rate
Type	M	L	1-9 pcs	10-199 pcs	1-9 pcs	10-199 pcs	1-9 pcs	10-199 pcs	1-9 pcs	10-199 pcs	1-9 pcs	10-199 pcs
2 -	2	2										
2.6 -	3	3										
3 -	2.5	2.5										
4 -	3	3										
5 -	4	4										
6 -	5	5										
8 -	6	6										
10 -	8	8										
12 -	10	10										
15 -	12	12										
16 -	15	15										
20 -	20	20										
25 -	25	25										
30 -	30	30										
30 -	30	30										


MSSK  
MSSF  
MSST  
(Stainless Steel)  
MSSU  
MSSFS  
MSSTS

Note that, for some of the types shown here, order might be unable to be received by the MISUMI Malaysia, Indonesia and/or India offices.

# Hex Socket Set Screws / Hex Socket Cap Screws / Crush Pads


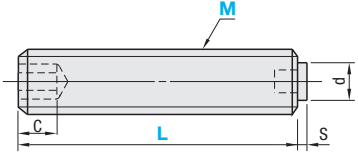
Soft Tips / Head Cap Screws

**Hex Socket Set Screws Soft Tips**



RoHS 10

Type	Thread's Material	Surface Treatment	Pad Material
SBPP	SCM435	Black Oxide	Polyacetal (White)
SBPC			Free-cutting Brass (C3604BD)
SBCP			Urethane (Shore A70, Black)
SBPPS	SUS304 Equivalent		Polyacetal (White)
SBCPS			Free-cutting Brass (C3604BD)
SBCTS			Urethane (Shore A70, Black)





Part Number	Type	M (Coarse)	L										S	d	B	C (Min.)	
			⊕ Dimensions in ( ) are only applicable to SBPP and SBPC.														
SBPP	SBPP	3	5	6	8	10	12	16	20								
SBPPS	SBPPS	4	6	8	10	12	16	20									
SBPC	SBPC	5			8	10	12	16	20	25							
SBPPS	SBPPS	6			8	10	12	16	20	25	30	40	50				
		8			10	12	16	20	25	30	40	50	(60)				
SBCT	SBCT	10			12	16	20	25	30	40	50	(60)	(80)				
SBCTS	SBCTS	12			16	20	25	30	40	50	(60)	(80)	(100)				

M (Coarse)	Unit Price					
	SBPP	SBPC	SBCT	SBPPS	SBCPS	SBCTS
3						
4						
5						
6						
8						
10						
12						


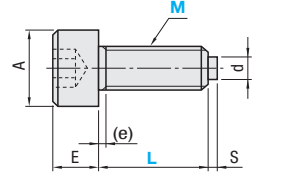
Ordering Example: Part Number - L  
SBPP10 - 50

**Hex Socket Set Screws Head Cap Screws**




RoHS 10

Type	Material Thread	Surface Treatment	Material Pad
CBPP	SCM435	Black Oxide	Polyacetal (White)
CBPC			Free-cutting Brass (C3604BD)
CBPPS			Polyacetal (White)
CBCP	SUS304 Equivalent		Polyacetal (White)
CBCPS			Free-cutting Brass (C3604BD)

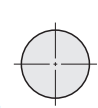
Part Number	Type	M (Coarse)	L	A	E	S	d	B	(e)	CBPP		CBPC		CBPPS		CBCPS	
										Unit Price	Volume Discount Rate	Unit Price	Volume Discount Rate	Unit Price	Volume Discount Rate	Unit Price	Volume Discount Rate
CBPP (Plastic Pad)	3	10 15 20	5.5	3	0.5	1.5	2.5	0.5									
CBPPS	4	10 15 20	7	4	1	2	3	0.6									
CBCP (Brass Pad)	5	15 20 30	8.5	5	1	3	4	0.6									
CBCPS	6	15 20 30	10	6	1	4	5	0.7									
	8	20 30 40	13	8	2	6	6	1.0									

**Crush Pads**



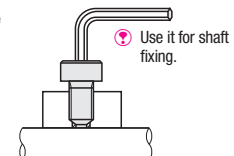
50 pcs. per Pkg.

**SEPN**  
SEPN (Thin)  
(50 pcs. per Pkg.)  
**PACK-SEPN**  
PACK-SEPN



⊕ Material: C3604BD

**EX** Example



Use it for shaft fixing.

Part Number	Type	Applicable M	d	t		C	Unit Price 1 to 100 (Single item)	PACK-SEPN, PACK-SEPN	
				SEPN	SEPN			Unit Price	Volume Discount Rate
SEPN		*3	2.2	2.0	0.5	*0.2			
SEPN		*4	3.0	2.5					
SEPN		*5	3.9	3.0					
SEPN		*6	4.7	3.5	1.0				
PACK-SEPN (50 pcs. per Pkg.)		8	6.4	4.5	-				
PACK-SEPN (50 pcs. per Pkg.)		10	8.2	5.5	-		*0.3		
		12	9.9	6.5	-				

⊕ SEPN is available only in M3 through M6. \* For SEPNs, C<0.1 ⊕ PACK-SEPN is available only in M3 through M6.  
⊕ When placing an order for PACK-SEPN or PACK-SEPN, please specify number of packages. 1 package to be delivered includes 50 pieces.

Ordering Example: Part Number MSSF5-10

Ordering Example: Part Number CBPP3-10 SEPN5 PACK-SEPN4

⊕ Use this set piece to prevent set screw from damaging the mating material.