



# Dowel Pins / General Purpose Pins

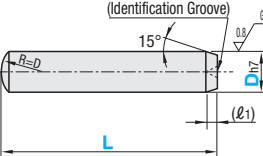
## Undersized

### Dowel Pin - Straight (h7)

RoHS10

Type	Material	Hardness
MSH	SUS440C or 13Cr stainless	45~50HRC
MSHS	SUS304	-



(Identification Groove)

15°

0.5

6

$D_{h7}$

$L$

$\ell_1$



Ⓜ The identification groove is available for MSH only.  
 Ⓜ  $\phi 1.5$  or smaller pins have no identification groove.  
 Ⓜ  $\phi 1$  dimension may become larger than the value shown in the catalog due to polishing process.

$\ell_1$	$D_{h7}$	Part Number		L	Unit Price 1 ~ 9 pc(s)	Volume Discount Rate			
		Type	D			10~49	50~99	100~500	
0.4	0	MSH	1	5 6 8 10					
				1.5	5 6 8 10				
0.6	0	MSH	2	5 6 8 10 12 15 20					
				2.5	6 8 10 12 15 20 25 30				
1	0	MSH	3	6 8 10 12 15 20 25 30 35 40					
				4	8 10 12 15 20 25 30 35 40 45 50				
1.5	0	MSH	5	8 10 12 15 20 25 30 35 40 45 50					
				6	8 10 12 15 20 25 30 35 40 45 50 55 60				
2	0	MSH	8	10 15 20 25 30 35 40 50 60					
				10	15 20 25 30 35 40 50 60				
2.5	0	MSH	10	15 20 25 30 35 40 50 60					

Ⓜ For orders larger than indicated quantity, please check with WOS.

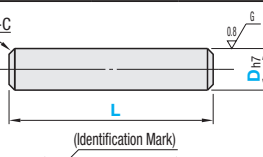
$\ell_1$	$D_{h7}$	Part Number		L	Unit Price 1 ~ 9 pc(s)	Volume Discount Rate			
		Type	D			10~49	50~99	100~200	
0.4	0	MSHS	1	5 6 8 10					
				1.5	5 6 8 10				
0.6	0	MSHS	2	5 6 8 10 12 15 18 20					
				2.5	6 8 10 12 15				
1	0	MSHS	3	6 8 10 12 15 18 20					
				4	8 10 12 15 18 20				
1.5	0	MSHS	5	8 10 12 15 18 20					
				6	10 12 15 18 20				
2	0	MSHS	8	15 18 20					

### Dowel Pins - Chamfered

RoHS10

Type	Material	Hardness
MSHHM	SUS440C	58HRC~
MSHSM	SUS304	-



2-C

0.5

$D_{h7}$

$L$

(Identification Mark)

MSHHM

MSHSM


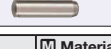
C	$D_{h7}$	Part Number		L	Unit Price 1 ~ 19 pc(s)	Volume Discount Rate			
		Type	D			20~29	30~49	50~100	
0.3 or Less	0	MSHHM	2	6 8 10 12 15					
				3	6 8 10 12 15 20				
0.5	0	MSHHM	4	8 10 12 15 20					
				5	8 10 12 15 20				
0.5	0	MSHHM	6	10 12 15 20					
				8	15 20				

Ⓜ For orders larger than indicated quantity, please check with WOS.

C	$D_{h7}$	Part Number		L	Unit Price 1 ~ 19 pc(s)	Volume Discount Rate			
		Type	D			20~29	30~49	50~100	
0.3 or Less	0	MSHSM	2	6 8 10 12 15					
				3	6 8 10 12 15 20				
0.5	0	MSHSM	4	8 10 12 15 20					
				5	8 10 12 15 20				
0.5	0	MSHSM	6	10 12 15 20					
				8	15 20				

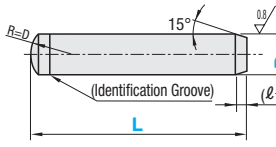
Ⓜ For orders larger than indicated quantity, please check with WOS.

### General Purpose Pin - Straight (g6)

RoHS10

Type	Material	Hardness
MSGB	SUJ2	58HRC~
MSGS	SUS440C	58HRC~
MSGSS	SUS304	-



15°

0.5

6

$D_{g6}$

$L$

(Identification Groove)

$\ell_1$

(Identification Mark)

MSGS

MSGB-MSGSS


Ⓜ  $\phi 1$  dimension may become larger than the value shown in the catalog due to polishing process.

$\ell_1$	$D_{g6}$	Part Number		L					
		Type	D	2	6	8	10	12	15
1.0	-0.002 -0.008	MSGB MSGS MSGSS	2	6	8	10	12	15	
				3	6	8	10	12	15
1.5	-0.004 -0.012	MSGB MSGS MSGSS	4	8	10	12	15	20	
				5	8	10	12	15	20
2.0	-0.005 -0.014	MSGB MSGS MSGSS	6	10	12	15	20		
				8	15	20			

D	MSGB				MSGS				MSGSS			
	Unit Price 1 ~ 19 pc(s)	Volume Discount Rate 20~29	30~49	50~100	Unit Price 1 ~ 19 pc(s)	Volume Discount Rate 20~29	30~49	50~100	Unit Price 1 ~ 19 pc(s)	Volume Discount Rate 20~29	30~49	50~100
2												
3												
4												
5												
6												
8												

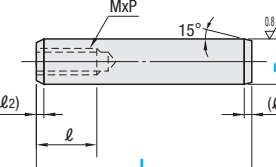
Ⓜ For orders larger than indicated quantity, please check with WOS.

### Dowel Pin One End Tapped (h7)



RoHS10

Type	Material	Hardness
MSHT	SUS440C	40~50HRC



15°

0.5

6

$D_{h7}$

$L$

$\ell_1$

$\ell_2$


MxP

Ⓜ When D=5 or 6 and L=10, the pilot hole for tapping may go through.  
 Ⓜ  $\ell=6$  only when D=6 and L=10  
 Ⓜ  $\phi 1$ ,  $\phi 2$  dimension may become larger than the value shown in the catalog due to polishing process.

$\ell_1$	$\ell_2$	MxP	$\ell$	$D_{h7}$	Part Number		L	Unit Price 1 ~ 499 pc(s)	Volume Discount Rate 500~999	1000~1999	2000~4000
					Type	D					
1.5	0.3	3x0.5	6	0	MSHT	5	10 15 20 25 30				
							6	10 15 20 25 30 35 40 45 50			
2.0	0.5	4x0.7	8	0	MSHT	8	15 20 25 30 35 40 45 50				
							10	15 20 25 30 35 40 45 50			
2.5	1.0	6x1.0	10	0	MSHT	12	30 35 40 45 50				

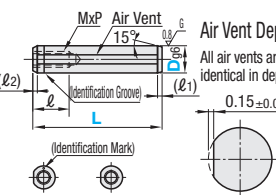
Ⓜ For orders larger than indicated quantity, please check with WOS.

### General Purpose Pins - One End Tapped (g6)



RoHS10

Type	Material	Hardness
MSTG	SUJ2	45~50HRC
MSTSG	SUS440C	45~50HRC



15°

0.5

6

$D_{g6}$

$L$

$\ell_1$

$\ell_2$

MxP

Air Vent

Air Vent Depth

All air vents are identical in depth.

0.15±0.05

(Identification Groove)

(Identification Mark)

MSTSG

MSTG

Ⓜ  $\phi 1$ ,  $\phi 2$  dimension may become larger than the value shown in the catalog due to polishing process.

$\ell_1$	$\ell_2$	MxP	$\ell$	$D_{g6}$	Part Number		L	Unit Price 1 ~ 19 pc(s)	Volume Discount Rate 20~29	30~49	50~100
					Type	D					
1.5	0.3	3x0.5	6	-0.004 -0.012	MSTG	5	10 15 20				
							6	10 15 20 25 30			
2.0	0.5	5x0.8	8	-0.005 -0.014	MSTG	8	15 20 25 30 35 40				
							10	20 25 30 35 40			
2.5	1.0	6x1.0	10	-0.006 -0.017	MSTG	12	30 35 40 45				

Ⓜ For orders larger than indicated quantity, please check with WOS.

$\ell_1$	$\ell_2$	MxP	$\ell$	$D_{g6}$	Part Number		L	Unit Price 1 ~ 19 pc(s)	Volume Discount Rate 20~29	30~49	50~100
					Type	D					
1.5	0.3	3x0.5	6	-0.004 -0.012	MSTSG	5	10 15 20				
							6	10 15 20 25 30			
2.0	0.5	5x0.8	8	-0.005 -0.014	MSTSG	8	15 20 25 30 40				
							10	20 25 30 40			
2.5	1.0	6x1.0	10	-0.005 -0.014	MSTSG	10	20 25 30 40				

Ⓜ For orders larger than indicated quantity, please check with WOS.

Ordering Example  
 Part Number - L  
 MSH2 - 6  
 MSG3 - 12