


Hex Head Bolts with Magnets


Screw Stoppers with Magnet / Magnet Blocks with Three-Side Attraction

ON / OFF Switchable-


Standard Type RoHS 10




Cap Type



Hardened Type



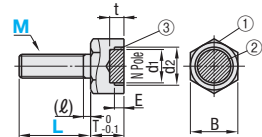
Low Head / Low Small Head
Low Head / Low Small Head Hex Socket



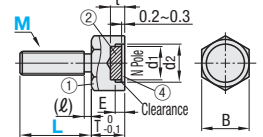
Type							①	②	③	④	Heat Resistant Temperature	
Standard	Cap	Hardened	Low Head Hex Socket	Low Small Head	Low Small Head Hex Socket	Material	Surface Treatment	Material	Surface Treatment	Material	Material	
HXUB	-	-	-	-	-	SUM24L	Electroless Nickel Plating	Samarium-Cobalt Magnet	-	-	-	80°C
HXUBN	-	-	HXSUBN	RHSUBN	KHUBN	RKHUBN	-	Neodymium Magnet	-	-	-	150°C
HXUBNH	-	-	-	-	-	-	-	Neodymium Magnet	Nickel Plating	* Brass (C3604BD)	SUS430	80°C
-	-	HXBY	-	-	-	S45C	-	Neodymium Magnet	-	-	-	80°C

* Brass is not included in Cap, Low Head and Low Small Head Type. Included in Standard and Hardened Type.

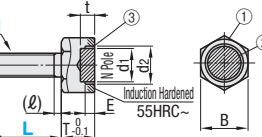
Standard Type
HXUB HXUBN HXUBNH



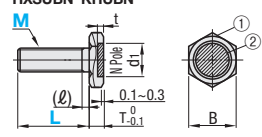
Cap Type
HXUBNK



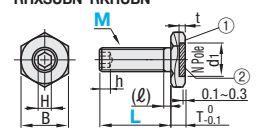
Hardened Type
HXBY



Low Head / Low Small Head
HXSUBN KHUBN



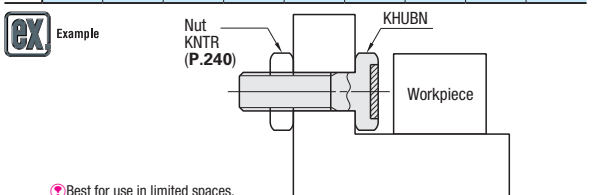
Low Head Hex Socket / Low Small Head Hex Socket
RHSUBN RKHUBN



Part Number	M	L (Selection)	B	T	(L)	d1	d2	t	E	H	h	Attraction Force N [kgf]		Surface Magnetic Flux Density Gauss [G]		
												Samarium-Cobalt Magnet	Neodymium Magnet Heat-resisting Neodymium Magnet	Samarium-Cobalt Magnet	Neodymium Magnet Heat-resisting Neodymium Magnet	
HXUB HXUBN	3	10	7	5	1.2	4	5	2	2	-	-	-	2.9 (0.3)	3.9 (0.4)	2100~2600	2700~3000
	4	10 15	8	6	1.5	5	6	2	2	-	-	-	3.9 (0.4)	6.8 (0.7)	2500~2900	3000~3500
	5	10 15 20	10	7	2	7	8	3	-	-	-	-	10.8 (1.1)	16.7 (1.7)	2700~2900	3600~3900
	6	15 20 25	13	9	2.5	9.5	11	4	3	-	-	-	27.5 (2.8)	39.2 (4.0)	2800~3100	-
	8	15 20 25	17	11	3	12.5	14	4	3	-	-	-	47.1 (4.8)	83.4 (8.5)	2900~3300	3800~4200
	10	20 25	21	13	3.5	16.5	18	6	5	-	-	-	88.3 (9.0)	140.2 (14.3)	2900~3400	4000~4400
HXUBNH	4	10	8	6	1.5	5	6	2	2	-	-	-	6.8 (0.7)	-	3000~3500	-
	5	10	10	7	2	7	8	3	2	-	-	-	16.7 (1.7)	-	3600~3900	-
	6	20	13	9	2.5	9.5	11	4	3	-	-	-	39.2 (4.0)	-	3800~4200	-
	8	20	17	11	3	12.5	14	4	3	-	-	-	4.0 (0.4)	-	3000~3200	-
(Cap Type) HXUBNK	4	10	8	6	1.5	5	6	2	2	-	-	-	10.0 (1.0)	-	3100~3300	-
	5	10	10	7	2	7	8	3	2	-	-	-	23.5 (2.4)	-	3100~3300	-
	6	20	13	9	2.5	9.5	11	4	3	-	-	-	50.1 (5.1)	-	3500~3700	-
	8	20	17	11	3	12.5	14	4	3	-	-	-	6.8 (0.7)	-	3000~3500	-
(Hardened Type) HXBY	4	10	8	6	1.5	5	6	2	2	-	-	-	16.7 (1.7)	-	3600~3900	-
	5	10 15	10	7	2	7	8	3	2	-	-	-	39.2 (4.0)	-	3800~4200	-
	6	15 20	13	9	2.5	9.5	11	4	3	-	-	-	83.4 (8.5)	-	-	-
	8	20	17	11	3	12.5	14	4	3	-	-	-	32.1 (3.3)	-	1700~1900	-
(Low Head Type) HXSUBN (Low Head Hex Socket) RHSUBN	4	10	14	3	1	10	1	2	2.2	-	-	-	49.0 (5.0)	-	2400~2600	-
	5	10 15 20	17	3	2	12.5	1	2.5	2.8	-	-	-	78.4 (8.0)	-	2600~2800	-
	6	15 20 25	19	3.5	2	14.5	1.5	3	3	-	-	-	117.7 (12.0)	-	2800~3100	-
	8	(15) (20) (25) (30)	21	4	3	16.5	1.5	4	4	-	-	-	176.5 (18.0)	-	-	-
(Low Small Head) KHUBN (Low Small Head Hex Socket) RKHUBN	4	10	8	3	1	5	1	2	2.2	-	-	-	3.6 (0.4)	-	2000~2200	-
	5	10 15	10	3	1.5	7	1.5	2.5	2.8	-	-	-	10.2 (1.1)	-	2500~2700	-
	6	15 20	13	3.5	2	9.5	1.5	3	3	-	-	-	25.6 (2.6)	-	2300~2500	-

Ⓜ Sizes in () are not applicable for RHSUBN. Ⓜ Attraction force and surface magnetic flux density are for reference only.

M	Unit Price							
	Standard	Cap	Hardened	Low Head	Low Head Hex Socket	Low Small Head	Low Small Head Hex Socket	
3								
4								
5								
6								
8								
10								



Part Number - L

Example HXUB5 - 15

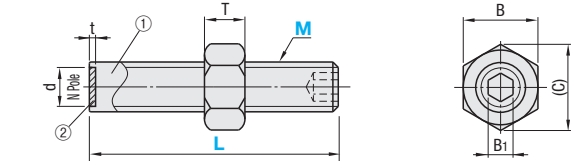
Alterations Part Number - L - (NC)

Example HXUB5 - 15 - NC

Alteration	Code	Spec.
Relief	NC	Adds a relief to under head portion. Ⓜ Applicable for only Standard Type HXUB, HXUBN and HXUBNH. Ordering Code NC

Screw Stoppers with Magnet RoHS 10

Type	①	②	Nut	Heat Resistant Temperature
Standard Type	Material	Surface Treatment	Material	Surface Treatment
HXBB	SCM435	Black Electroless Nickel Plating	Neodymium Magnet	Nickel Plating
HXBN	PHXBN	Electroless Nickel Plating	-	-



Part Number	Type	M	L	Attraction Force N (kgf)		Surface Magnetic Flux Density Gauss [G]		B	B1	(C)	T	t	d	Unit Price		
				Standard Type	Strong Type	Standard Type	Strong Type							HXBB	HXBN	PHXBN
PHXBN	4	15	-	0.5 (0.05)	-	1800~2100	7	2	8.1	3.2	-	3	2	-	-	-
	5	15	-	1 (0.1)	-	2700~3000	8	2.5	9.2	4	-	4	2.5	-	-	-
Standard Type HXBB HXBN	6	*15	*20 30 40	1.4 (0.15)	2 (0.2)	2800~2900	2700~3000	10	3	11.5	5	2	6	3	-	-
	8	*15	*20 30 40 50	4.9 (0.5)	6.9 (0.7)	3000~3300	3000~3300	13	4	15	6.5	2	6	5	-	-
	10	-	30 40 50 60	7.8 (0.8)	-	3000~3300	-	17	5	19.6	8	2	-	6	-	-
	12	-	30 40 50 60	10.7 (1.1)	-	2600~2900	-	19	6	21.9	10	1.5	-	7	-	-
Strong Type PHXBN	16	-	40 50 60 80	24.5 (2.5)	-	3200~3400	-	24	8	27.7	13	2	-	9.5	-	-

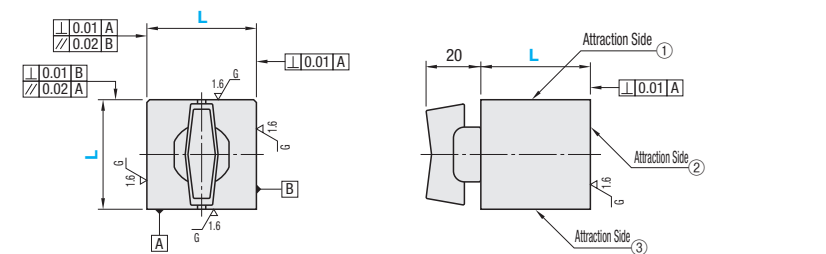
Ⓜ High Strength Type (PHXBN) is available with * marked sizes. Ⓜ Attraction force and surface magnetic flux density are for reference only.

Ordering Example Part Number - L

Example HXBB6 - 30

Magnet Blocks with Three-Side Attraction - ON / OFF Switchable RoHS 10

Component	Material	Surface Treatment
Main Body	SS400	Electroless Nickel Plating
Magnet	Neodymium Magnet	-
Knob	SUS304	-



There is a Brass Separator located in the center.

Part Number	Type	L	Attraction Force ①③ N (kgf)	Attraction Force ② N (kgf)	Mass (g)	Unit Price			Volume Discount Rate		
						1 pc.	2~3	4~10			
HXBK		40	235 {24}	78 {8}	528						
		60	490 {50}	147 {15}	1683						

Ⓜ Attraction force is for reference only. When multiple sides of magnetic material are attracted at same time, Attraction Force may decrease. Ⓜ For orders larger than indicated quantity, please check with WOS.

- Features**
- Attraction surface ①~③ can be turned ON and OFF by turning the knob.
 - Knob is made of sturdy stainless steel.
 - Enhances the assembly and machining efficiency.

Ordering Example Part Number

Example HXBK40