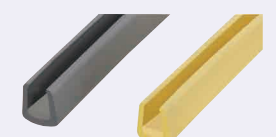



# Compact Trims For Plastic Cover

Compact Trims for Plastic Cover with adhesive type capable of easy installation. Newly added Yellow Type is effective for alerting.

**For Plastic Cover**

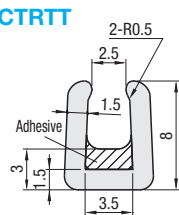


**For Plastic Cover with Lip**



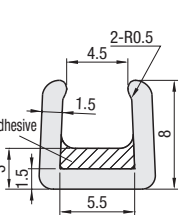
**For Plastic Cover**

**CTRTRT**



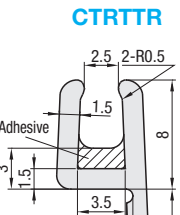
**For Plastic Cover with Lip**

**CTRTRR**



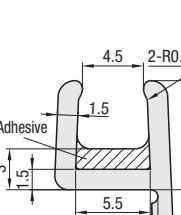
**For Plastic Cover with Lip**

**CTRTRT**



**For Plastic Cover with Lip**

**CTRTRR**



**Material Properties**

Item	TPE	Adhesive
Specific Gravity	0.95	-
Heat Resistance	+135°C	+88°C
Low Temp. Resistance	-60°C	-15°C
Compression Set	15~25%	-

ⓂTPE does not produce dioxin when burned.

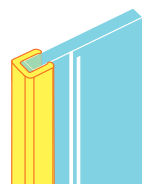
Type	Material	
	Main Body	Adhesive
CTRTRT CTRTRR	Thermoplastic Elastomer (TPE)	Sealant

Part Number	Type	T	Color	L (m)	Applicable Plate Thickness	Unit Price		
						1m	3m	5m
CTRTRT		3.0	G (Gray)	L1 L3 L5	2.5~3.5			
		5.0			4.5~5.5			
CTRTRR		3.0	Y (Yellow)	L1 L3 L5	2.5~3.5			
		5.0			4.5~5.5			

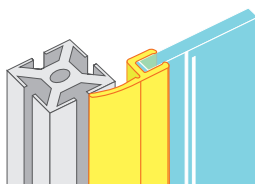
Ordering Example: Part Number - Color - L  
 CTRTRT3.0 - G - L1  
 CTRTRR5.0 - Y - L3



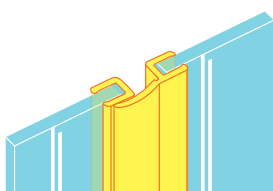
**•Panel End Protection**  
CTRTRT is attached to the panel edge to prevent interference and alert a collision.



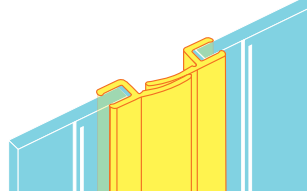
**•Filling a Gap on One Door**  
CTRTRR is attached to the panel edge of one door. Suitable for applications such as filling a gap with an object and insulating from splash and sound.



**•Filling a Gap between Both Doors①**  
CTRTRT and CTRTRR are attached to the panel edge of both doors, filling a gap between panels.




**•Filling a Gap between Both Doors②**  
CTRTRR is attached to the panel edge of both doors, filling a gap between panels. (Either side can be opened first.)



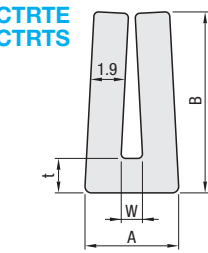
# Compact / Plastic Trims Square / U-Shaped

Compact trims with no internal metal strip are easy to cut and bend as needed. With type U, corners do not protrude to the sheet metal.

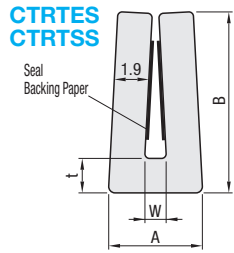
**Compact Trims - Square, U-Shape**



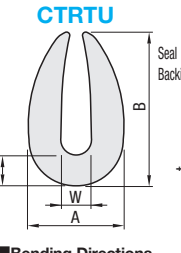
**CTRTE CTRTS**



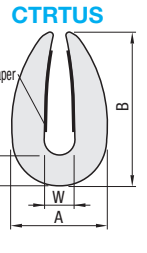
**CTRTE CTRTS**



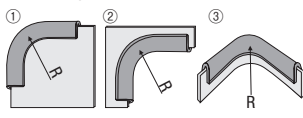
**CTRTRU**



**CTRTRUS**



**Bending Directions**



① For the adhesive tape, P.489ADTR (EPDM), ADTS (silicon) is used.

Type	Shape	Material	Color	Material Properties		
				Item	EPDM	Silicon Rubber
No Adhesive Tape	W/ Adhesive Tape			Specific Gravity	1.2	1.2
CTRTE	CTRTE	Ethylene Rubber (EPDM)	Black	Heat Resistance	120°C	170°C
CTRTRU	CTRTRU	Silicon Rubber	Gray	Low Temp. Resistance	-40°C	-60°C
CTRTRUS	CTRTRUS	Ethylene Rubber (EPDM)	Black	Compression Set	16%	27%


Compact Trims are available in 1m increment. Please note that ordering 5 pieces of L=75 means 5 rolls of 75 meter type.

Part Number	Type	T	L 1mm Increment	A	B	W	t	Minimum Bending Radius mm			Applicable Plate Thickness	Unit Price (1m)	
								Bending Directions①	Bending Directions②	Bending Directions③		No Adhesive Tape	W/ Adhesive Tape
Ethylene Rubber (EPDM) Rectangular	CTRTE	1.6	L1~L75 (1m Increment)	5.2	10	1.4	1.9	R70	R50	R30	1.0~1.6		
		2.3		6	10	2.2	1.9				2.0~2.3		
		3.2		6.9	10	3.1	1.9				3.0~3.2		
		3.2		6.9	10	3.1	1.9				3.0~3.2		
Silicon Rubber Rectangular	CTRTRU	1.6	*W/ Adhesive Tape *L1~L2	5.2	10	1.4	1.9	R30	R30	R30	1.0~1.6		
		2.3		6	10	2.2	1.9				2.0~2.3		
		3.2		6.9	10	3.1	1.9				3.0~3.2		
		3.2		6.9	10	3.1	1.9				3.0~3.2		
Ethylene Rubber (EPDM) U-Shape	CTRTRUS	0.8		4	6	1	1.4	R30	R30	R30	0.6~1.2		
		1.6		4.4	7	1.4	1.4				1.0~1.6		
		2.3		5.3	8	2.1	1.5				2.0~2.3		
		2.3		5.3	8	2.1	1.5				2.0~2.3		


Ordering Example: Part Number - L  
 CTRTE1.6 - L32

Translucent plastic trims blend well with painted sheet metal and stainless steel surfaces.

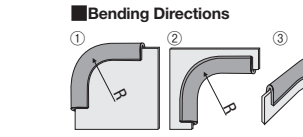
**Plastic Trims**



**PTRTN**



**Bending Directions**



Part Number	Type	No.	L 1mm Increments	A	W	Minimum Bending Radius mm			Applicable Plate Thickness
						Bending Directions①	Bending Directions②	Bending Directions③	
PTRTN		1	10~2000	3.3	1.3	R150	R300	R200	1.0~1.1
		2		3.7	1.7				1.2~1.5
		3		4.4	2.4				1.6~2.2
		4		5.3	3.3				2.3~3.2

Ordering Example: Part Number - L  
 PTRTN1 - 200

Part Number	Type	T Selection	Unit Price									
			L 1mm Increments									
PTRTN		1	10~200	201~400	401~600	601~800	801~1000	1001~1200	1201~1400	1401~1600	1601~1800	1801~2000
		2										
		3										
		4										