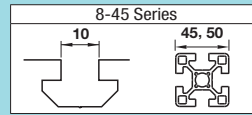


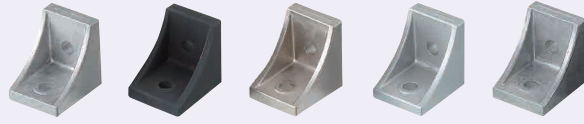
Tabbed Brackets

For 8-45 Series (Slot Width 10mm) Aluminum Extrusions



■ **Features:** Tabbed Brackets to be connected by both L and Cross-Connections.

■ **Tabbed Reversal Brackets**



Type	Material	Surface Treatment
HBLFSN8-45	ADC12	-
HBLFSNB8-45		Black Anodize
HBLFSNM8-45		Electroless Nickel Plating
CHBLFSN8-45		Baked Paint (Silver)
HBLFSN8-50		-

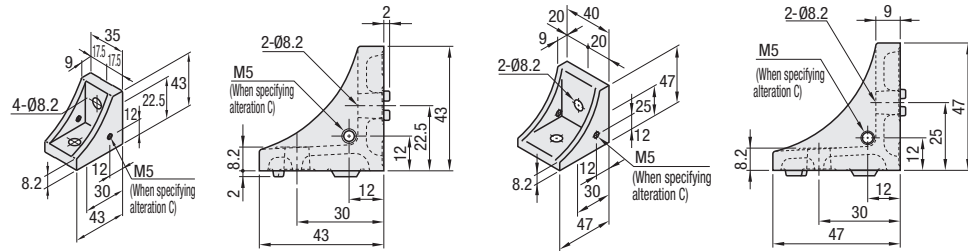
*Baked Paint (Silver) is color coordinated with Clear Coating Extrusions.

Tabbed Reversal Brackets

- HBLFSN8-45
- HBLFSNB8-45 (Black Anodize)
- HBLFSNM8-45 (Electroless Nickel Plating)
- CHBLFSN8-45 (Baked Paint, Silver)

For 50 Sq.

Tabbed Reversal Brackets
HBLFSN8-50



Part Number	Mass (g)	Applicable Screw, T Nut				Allowable Load (N)	Unit Price 1-99 pc(s)	Volume Discount Rate 100-200
		Screw	Quantity	T Nut	Quantity			
HBLFSN8-45	55	CBM8-20	2	HNTT8-8	2	2058		
HBLFSNB8-45*(Black Anodize)								
HBLFSNM8-45 (Electroless Nickel Plating)								
CHBLFSN8-45 (Baked Paint, Silver)								
HBLFSN8-50	78							

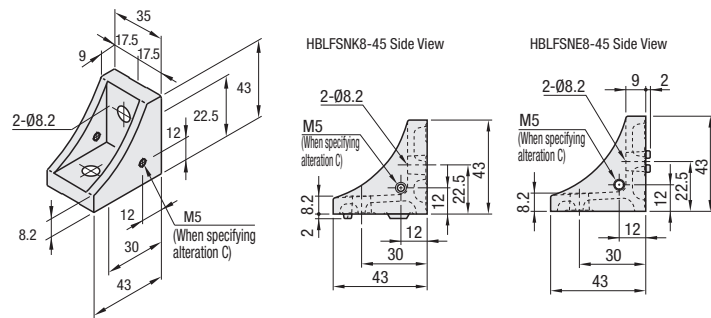
* For repairing black anodizing, refer to P846.

■ **Features:** Brackets with single side tabs. Plates can be mounted on the side without tabs.

■ **Brackets with Single Side Tab**



HBLFSNK8-45
HBLFSNE8-45



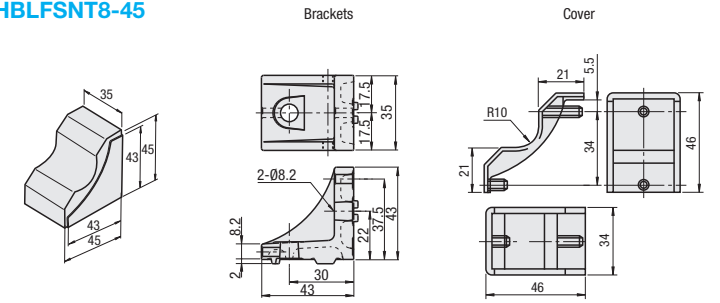
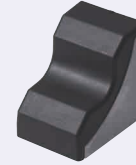
Material: ADC12

Part Number	Mass (g)	Applicable Screw, T Nut				Allowable Load (N)	Unit Price 1-99 pc(s)	Volume Discount Rate 100-200
		Screw	Quantity	T Nut	Quantity			
HBLFSNK8-45	55	CBM8-20	2	HNTT8-8	2	2058		
HBLFSNE8-45								

■ **Features:** Tabbed Reversal Brackets with Cover. Designed to prevent dust build-up.

■ **Brackets with Cover**

HBLFSNT8-45



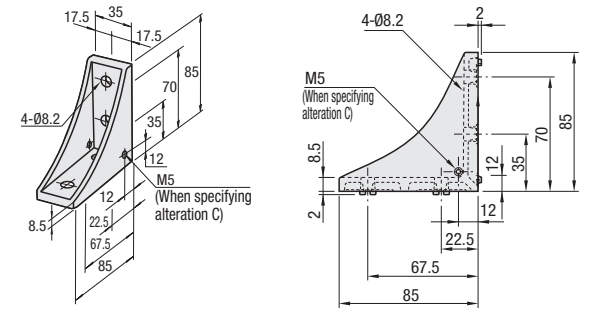
Material: ADC12 (Main Body), Polyamide Black (Cover)

Part Number	Mass (g)	Accessory Component				Applicable Screw, T Nut				Allowable Load (N)	Unit Price 1-99 pc(s)	Volume Discount Rate 100-200
		Part ①	Quantity	Part ②	Quantity	Screw	Quantity	T Nut	Quantity			
HBLFSNT8-45	62	Bracket Body	1	Bracket Cover	1	CBM8-20	2	HNTT8-8	2	2058		

■ **Features:** Brackets with two mounting holes on one side can connect extrusions more securely.

■ **Tabbed Reversal Brackets**

HBLFSSW8-45



Material: ADC12

Part Number	Mass (g)	Applicable Screw, T Nut				Allowable Load (N)	Unit Price 1-99 pc(s)	Volume Discount Rate 100-200
		Screw	Quantity	T Nut	Quantity			
HBLFSSW8-45	136	CBM8-20	4	HNTT8-8	4	3087		

Ordering Example
Part Number
HBLFSNK8-45

Alterations
Part Number - (C, SET, SST, SEU, SSU, SEP, SSP, SEC)
HBLFSNK8-45 - SET

Alterations	Code	Spec.	Applicable Bracket	Alterations	Code	Spec.	Applicable Bracket																						
Mounting Hole Alteration for Cover	C	Adds taps on a bracket for cover mounting. (M5 on Both Sides) (Mounting Screw HCBM on P754)	HBLFSN8-45	Applicable screws and nuts for fixing the brackets on extrusions come in a set. (Adds to the bracket price) (Ex.) When HBLFSN8-45 is specified: <table border="1"> <thead> <tr> <th>Code</th> <th>Screw</th> <th>Nut</th> </tr> </thead> <tbody> <tr> <td>SET</td> <td>CBM8-20</td> <td>HNTT8-8</td> </tr> <tr> <td>SST</td> <td>SCB8-20</td> <td>HNTT8-8</td> </tr> <tr> <td>SEU</td> <td>CBM8-20</td> <td>HNTU8-8</td> </tr> <tr> <td>SSU</td> <td>SCB8-20</td> <td>SHNTU8-8</td> </tr> <tr> <td>SEP</td> <td>CBM8-20</td> <td>HNTP8-8</td> </tr> <tr> <td>SSP</td> <td>SCB8-20</td> <td>SHNTP8-8</td> </tr> <tr> <td>SEC</td> <td>HCBST8-24</td> <td>HNTT8-8</td> </tr> </tbody> </table>	Code	Screw	Nut	SET	CBM8-20	HNTT8-8	SST	SCB8-20	HNTT8-8	SEU	CBM8-20	HNTU8-8	SSU	SCB8-20	SHNTU8-8	SEP	CBM8-20	HNTP8-8	SSP	SCB8-20	SHNTP8-8	SEC	HCBST8-24	HNTT8-8	HBLFSN8-45
			Code		Screw	Nut																							
			SET		CBM8-20	HNTT8-8																							
			SST		SCB8-20	HNTT8-8																							
			SEU		CBM8-20	HNTU8-8																							
			SSU		SCB8-20	SHNTU8-8																							
			SEP		CBM8-20	HNTP8-8																							
			SSP		SCB8-20	SHNTP8-8																							
			SEC		HCBST8-24	HNTT8-8																							
			HBLFSNB8-45		HBLFSNB8-45																								
HBLFSNM8-45	HBLFSNM8-45																												
CHBLFSN8-45	CHBLFSN8-45																												
HBLFSN8-50	HBLFSN8-50																												
HBLFSNK8-45	HBLFSNK8-45																												
HBLFSNE8-45	HBLFSNE8-45																												
HBLFSNT8-45	HBLFSNT8-45																												
HBLFSSW8-45	HBLFSSW8-45																												

⚠ Screws for black anodized brackets are HCBMTB (Trivalent Chromate Black) on P751.
⚠ Included Screw is not RoHS compliant when -SET, -SEU or -SEP other than black anodized brackets is specified.