

# Factory Frame / Pipe Frame Standard Units - Overview

Note that, for some of the types shown here, order might be unable to be received by the MISUMI Indonesia offices.

# Pipe Frame / Factory Frame Standard Units Workbenches

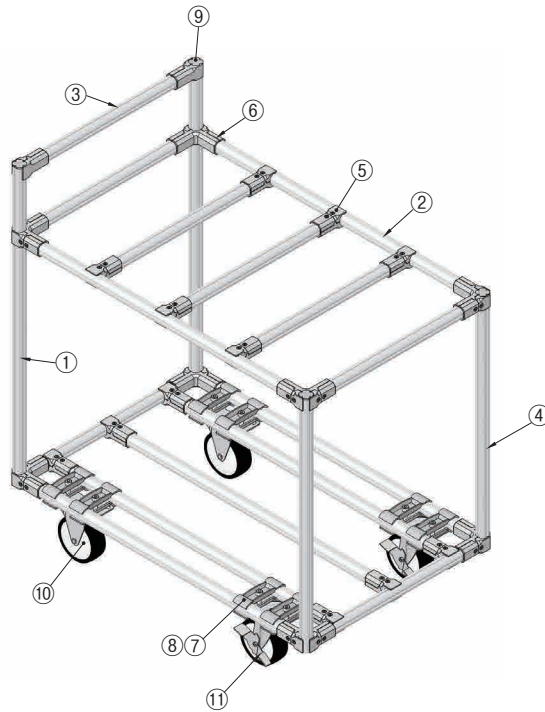
## Standard Units Overview (P.891~P.906)

- With these pipe frame units, the part number and the number of the components are determined just by specifying the component types and each dimension.
- All the materials needed to construct a unit can be specified just a single Type Number.

### Components List

[PFUB]					[FFUB]				
Number	Part Number	Name	Qty.	Listed Page	Number	Part Number	Name	Qty.	Listed Page
①	PFS28-Color-(T-133)	Pipe Frame	2	P891	①	FFA28-(T-133)	Factory Frame	2	P880
②	PFS28-Color-(D-103)	Pipe Frame	7		②	FFA28-(D-110)	Factory Frame	7	
③	PFS28-Color-(W-103)	Pipe Frame	8		③	FFA28-(W-110)	Factory Frame	8	
④	PFS28-Color-(H-133)	Pipe Frame	2		④	FFA28-(H-133)	Factory Frame	2	
⑤	PBSLN1	Metal Joint	14	P894	⑤	FFB1	Metal Joint	14	P881
⑥	PBSLN2	Metal Joint	8		⑥	FFB2	Metal Joint	8	
⑦	JBS005	Caster Attachment Parts	8	P904	⑦	JBS005	Caster Attachment Parts	8	P904
⑧	JBS006	Caster Attachment Parts	8		⑧	JBS006	Caster Attachment Parts	8	
⑨	PJ503-W (White)	Inner Cap	4	P897	⑨	FFS103	Inner Cap	4	P883
⑩	PHCHK100	Caster	2		⑩	PHCHK100	Caster	2	
⑪	PHCHS100	Caster with Stopper	2	P903	⑪	PHCHS100	Caster with Stopper	2	P903

### Assembly Drawing



### For Shelf Panels

This unit doesn't include top panels or shelf panels. Please order separately.

#### For Top Shelf Panels

Select the product among the lineup from P.935~P.940.

[M]Material	Part Number	Listed Page
Double-Sided Melamine Resin Glued Laminated Plywood	MPBHA10, MPBHA15, MPBHA20	P935
Laminated Plywood	PBHA12, PBHA16, PBHA20	
Single-Sided Rubber Glued Laminated Plywood (Standard)	NTBHA10, NTBHA14, NTBHA20	P937
Single-Sided Rubber Glued Laminated Plywood (Antistatic)	ATBHA10, ATBHA14, ATBHA20	
Double-Sided Melamine Resin Glued Laminated Plywood with Soft Edge	MPBHAR10, MPBHAR15, MPBHAR20	P939
Single-Sided Rubber Glued Laminated Plywood with Soft Edge (Standard)	NTBHAR10, NTBHAR14, NTBHAR20	
Single-Sided Rubber Glued Laminated Plywood with Soft Edge (Antistatic)	ATBHAR10, ATBHAR14, ATBHAR20	
Aluminum Glued Laminated Plywood with Soft Edge	ALBHAR10, ALBHAR15, ALBHAR20	

#### Ordering Example

Part Number - A - B - Color - R - E - S  
select from the above table. - W Dimension - D Dimension - Color - 10 - 32 - 32

For Shelf Panel mounting, use PJ706B (P.898) or FEB6 (P.881)

#### For Bottom Shelf Panels

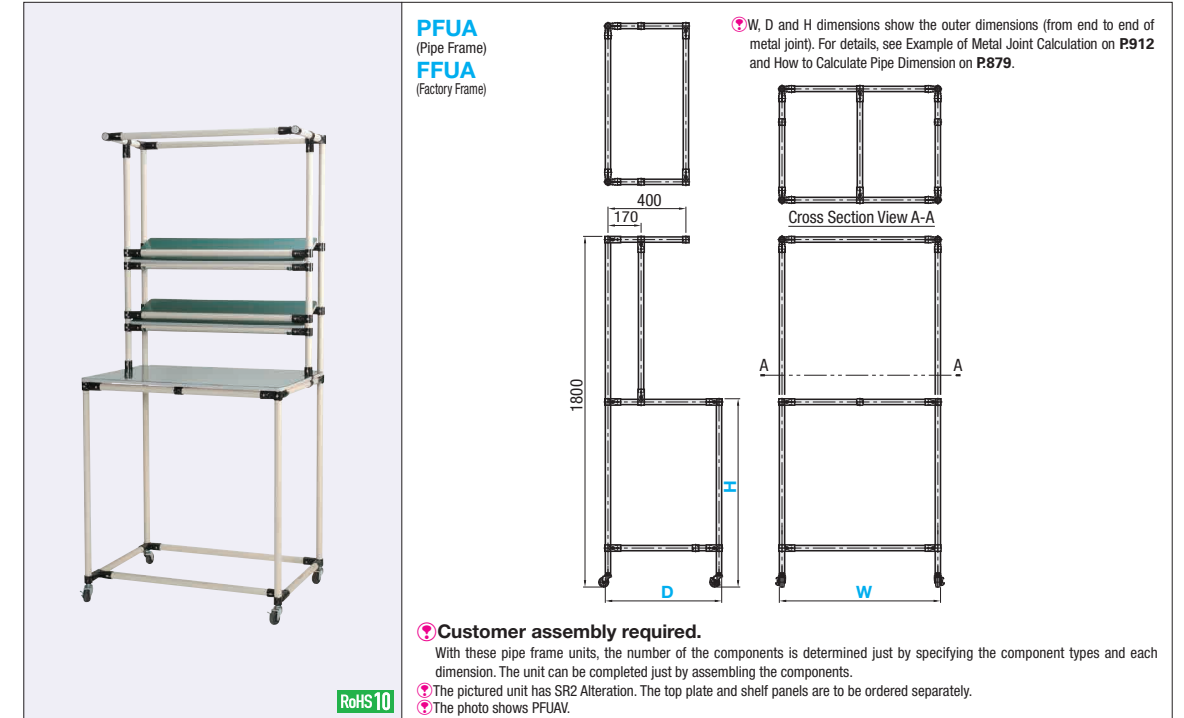
Select the product among the lineup from P.935~P.940.

[M]Material	Part Number	Listed Page
Double-Sided Melamine Resin Glued Laminated Plywood	MPBH10, MPBH15, MPBH20	P935
Laminated Plywood	PBH12, PBH16, PBH20	
Single-Sided Rubber Glued Laminated Plywood (Standard)	NTBH10, NTBH14, NTBH20	P937
Single-Sided Rubber Glued Laminated Plywood (Antistatic)	ATBH10, ATBH14, ATBH20	
Double-Sided Melamine Resin Glued Laminated Plywood with Soft Edge	MPBHR10, MPBHR15, MPBHR20	P939
Single-Sided Rubber Glued Laminated Plywood with Soft Edge (Standard)	NTBHR10, NTBHR14, NTBHR20	
Single-Sided Rubber Glued Laminated Plywood with Soft Edge (Antistatic)	ATBHR10, ATBHR14, ATBHR20	
Aluminum Glued Laminated Plywood with Soft Edge	ALBHR10, ALBHR15, ALBHR20	

#### Ordering Example

Part Number - A - B - Color - E - S - X - Y  
select from the above table. - W Dimension - D Dimension - Color - 32 - 32 - 32 - 32

For Shelf Panel mounting, use PJ706B (P.898) or FEB6 (P.881)



Part Number	Type	Frame / Color	W 1mm Increment	D 1mm Increment	H 1mm Increment
PFUA (Pipe Frame)	W (White) V (Ivory) S (Dark Gray)	400~1200	400~1000	400~1200	
FFUA (Factory Frame)					

For frame types and colors, refer to P.880, 881.

Ordering Example  
 Part Number - W - D - H  
 PFUA - W1000 - D600 - H800  
 FFUA - W1150 - D900 - H850

Part Number	Type	Frame / Color	W	Unit Price 1 ~ 20 pc(s).		
				D		
				400~600	601~800	801~1000
PFUA (Pipe Frame)		W (White) V (Ivory) S (Dark Gray)	400~600 601~800 801~1000 1001~1200			
FFUA (Factory Frame)			400~600 601~800 801~1000 1001~1200			

Alterations  
 Part Number - W - D - H - (TC, SPN, FR, SR, FFR, FSR)  
 PFUAS - W900 - D550 - H900 - TC2000-FR1  
 FFUAS - W900 - D550 - H900 - TC2150-FSR2

Alteration	Code	Spec.	Unit Price	Alteration	Code	Spec.	Unit Price	Alteration	Code	Spec.	Unit Price
Full Height	TC	Changes the overall height. *TC=1mm Increment *1600≤TC≤2200 Ordering Code TC2050	TC Unit Price 1600~1799 1801~1900 1901~2000 2001~2100 2101~2200	Factory Frame Joints for Flat Shelves Available for PFUA only	FR	Adds pipe frame joints for flat shelves. Components List ① PFS28-Color-(W-104) 2 pcs. ② PBSLN1 4 pcs. *Order Shelf Panels separately. Ordering Code 1 Tier→FR1 2 Tiers→FR2	W Unit Price Step 400~600 601~800 801~1000 1001~1200	Factory Frame Joints for Flat Shelves Available for FFUA only	FFR	Adds factory frame joints for flat shelves. Components List ① FFA28-(W-110) 2 pcs. ② FFB1 4 pcs. *Order Shelf Panels separately. Ordering Code 1 Tier→FFR1 2 Tiers→FFR2	W Unit Price Step 400~600 601~800 801~1000 1001~1200
Wrench for Mounting Casters	SPN	Adds a wrench for mounting casters JBS009 (P.904).		Factory Frame Joints for Inclined Shelves Available for PFUA only	SR	Adds pipe frame joints for inclined shelves. Components List ① PFS28-Color-(W-104) 3 pcs. ② PBSLN1 6 pcs. *Order Shelf Panels separately. Ordering Code 1 Tier→SR1 2 Tiers→SR2	W Unit Price Step 400~600 601~800 801~1000 1001~1200	Factory Frame Joints for Inclined Shelves Available for FFUA only	FSR	Adds factory frame joints for inclined shelves. Components List ① FFA28-(W-110) 3 pcs. ② FFB1 6 pcs. *Order Shelf Panels separately. Ordering Code 1 Tier→FSR1 2 Tiers→FSR2	W Unit Price Step 400~600 601~800 801~1000 1001~1200