

Ball Bearing Units

Cast Iron, Pillow Blocks


MISUMI C-VALUE [Medium Accuracy] Ball Bearing Units

Cast Iron, Pillow Blocks

Compared to similar products
Max. 51% OFF

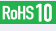
Similar Product Pages P.1051

Similar Products Comparison Points | Products designed for light load, intermediate and low rotation speed, and medium rotational accuracy applications. See P.1015 for the description of C-VALUE Products.



PDR (Pillow Blocks)


RoHS10



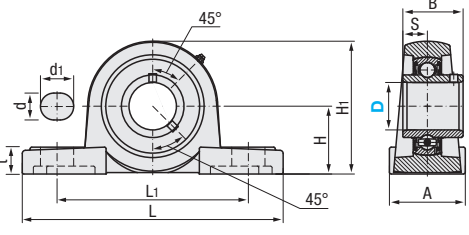
Component	Material
(1) Housing	FC200
(2) Bearing	SUJ2
(3) Rubber Seal	Nitrile Rubber (NBR)
(4) Set Screw	SCM435

Accuracy: JIS B 1558
 JIS B 1514
 JIS B 1559

Bearing Inner Diameter Tolerance: H7 (Clearance Fit)
 Operating Temperature: -15 ~ +100°C
 Grease Fitting Nominal Dia.: 1/4-28UNF (Unified Standards)
 *Ball bearing moves slightly due to self-aligning function.



C-PDR (Pillow Blocks)



Component	Material
(1) Housing	HP200
(2) Bearing	GCR15
(3) Rubber Seal	Nitrile Rubber (NBR)
(4) Set Screw	S45C

Bearing Inner Diameter Tolerance : H7 (Clearance Fit)
 Operating Temperature : -25 ~ +60°C
 Grease Fitting Nominal Dia. : 1/4-28UNF (Unified Standards)

Part Number	Type	D	JIS Nominal	H	L	L ₁	A	d ₁	d	M	ℓ	t	H ₁	B	S	Basic Load Rating (kN)		Set Screw		Mass (g)	Unit Price		
																C _r (Dynamic)	C _{or} (Static)	M ₁	Tightening Torque (N·cm)			Axial Load Capacity (N)	
12	PDR	12	UCP201																M6x0.75	392	640	650	
15		15	UCP202	30.2	127	95		19	13	M10x1.5	12	15	62	31	12.7		12.8	6.6			630		
17		17	UCP203				38														620		
20		20	UCP204	33.3									65								1280	650	
25		25	UCP205	36.5	140	105		16			15	16	70	34.1	14.3		14	7.9			1400	790	
30		30	UCP206	42.9	165	121	48	21			18	18	83	38.1	15.9		19.6	11.3			1960	1260	
35		35	UCP207	47.6	167	127			17	M14x2.0	20	19	94	42.9	17.5		25.9	15.4			2590	1590	
40		40	UCP208	49.2	184	137	54	25			20	19	100	49.2			29.3	17.9			2930	1920	
45		45	UCP209	54	190	146		22			20	108			19		33	20.5			3300	2190	
50		50	UCP210	57.2	206	159	60	25	20	M16x2.0	22	114	51.6				35.5	23.2			3550	2590	

*kgf=Nx0.101972

Ordering Example Part Number **PDR20**

Part Number	Type	D	JIS Nominal	H	L	L ₁	A	d ₁	d	t	H ₁	B	S	Basic Load Rating (kN)		Set Screw		Mass (g)	Unit Price		
														C _r (Dynamic)	C _{or} (Static)	M ₁	Tightening Torque (N·cm)			Axial Load Capacity (N)	
20	C-PDR	20	UCP204	33.3	127	96		19		15	65	31	12.7	12.8	6.6			M6x1	400	1280	700
25		25	UCP205	36.5	140	105		16		16	71	34.1	14.3	14	7.9					1400	800
30		30	UCP206	42.9	165	121	48			17	83	38.1	15.9	19.5	11.3					1960	1300
35		35	UCP207	47.6	167	126		21	17	18	93	42.9	17.5	25.7	15.3			M8x1	850	2590	1600
40		40	UCP208	49.2	184	136	54			18	100	49.2	19	29.1	17.9					2930	1900

*kgf=Nx0.101972

Ordering Example Part Number **C-PDR20**