

# Ball Bearing Units

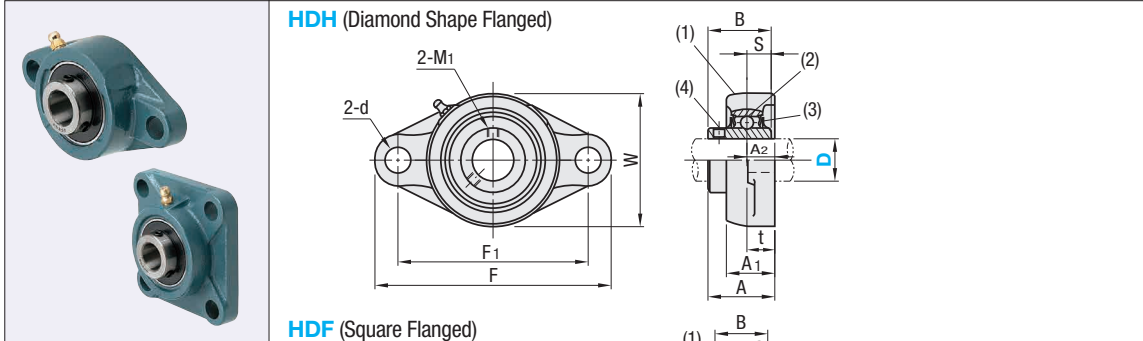
## Cast Iron, Flanged

# MISUMI C-VALUE [Medium Accuracy] Ball Bearing Units

## Cast Iron, Flanged

Compared to similar products, Max. 51% OFF

Similar Product Pages P.1024



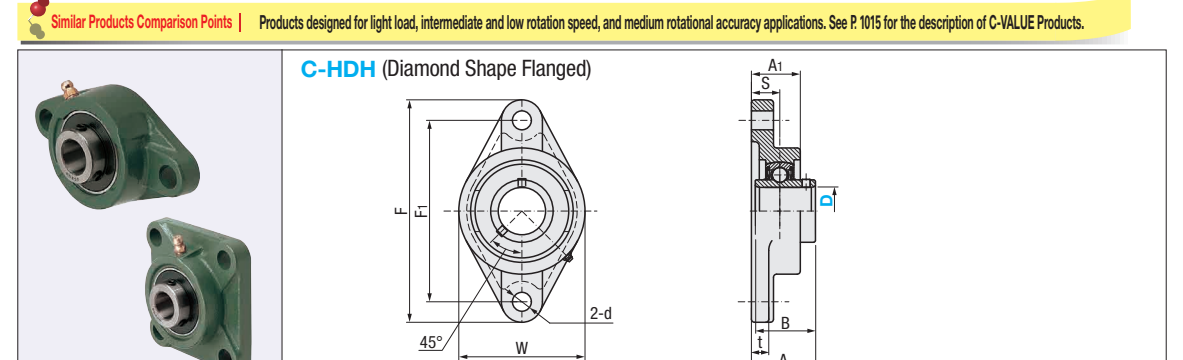
**HDH (Diamond Shape Flanged)**

**HDF (Square Flanged)**

Accuracy: JIS B 1558  
 JIS B 1514  
 JIS B 1559

Bearing Inner Diameter Tolerance: H7 (Clearance Fit)  
 Operating Temperature: -15 ~ +100°C  
 Grease Fitting Nominal Dia.: 1/4-28UNF (Unified Standards)  
 ⚠ Ball bearing moves slightly due to self-aligning function.

Component	Material
(1) Housing	FC200
(2) Bearing	SUJ2
(3) Rubber Seal	Nitrile Rubber (NBR)
(4) Set Screw	SCM435



**C-HDH (Diamond Shape Flanged)**

**C-HDF (Square Flanged)**

Bearing Inner Diameter Tolerance : H7 (Clearance Fit)  
 Operating Temperature : -25 ~ +60°C  
 Grease Fitting Nominal Dia. : 1/4-28UNF (Unified Standards)

Component	Material
(1) Housing	HP200
(2) Bearing	GCR15
(3) Rubber Seal	Nitrile Rubber (NBR)
(4) Set Screw	S45C

Part Number	JIS Nominal		F	F1	W	L	L1	t	A	A1	A2	d	d1	B	S	Basic Load Rating (kN)		Set Screw		Mass (g)		Unit Price																
	Type	HDH														HDF	Cr (Dynamic)	Cor (Static)	M1	Tightening Torque (N·cm)	Axial Load Capacity (N)	HDH	HDF	HDH	HDF													
HDH HDF	12	UCFL201	UCF201	113	90	60	86	64	12	33.3	25.5	15	12	31	12.7	12.8	6.6	M6x0.75	392	640	470	630																
	15	UCFL202	UCF202																		450	610																
	17	UCFL203	UCF203																		440	600																
	20	UCFL204	UCF204	130	99	68	95	70	14	35.8	27	16	12	34.1	14.3	14	7.9	M6x0.75	490	1400	420	580																
	25	UCFL205	UCF205																		1280	1400	590	720														
	30	UCFL206	UCF206																		148	117	80	108	83	40.2	31	18	16	38.1	15.9	19.6	11.3	1960	900	1010		
	35	UCFL207	UCF207																		161	130	90	117	92	44.4	34	19	16	42.9	17.5	25.9	15.4	2590	1200	1380		
	40	UCFL208	UCF208	175	144	100	130	102	51.2	36	21	16	49.2	19	29.3	17.9	M8x1	1180	2930	1510	1770																	
	45	UCFL209	UCF209	188	148	108	137	105	52.2	38	22	19	49.2	19	33	20.5			3300	1900	2070																	
	50	UCFL210	UCF210	197	157	115	143	111	54.6	40	22	19	51.6	19	35.5	23.2	M10x1.25	2350	3550	2200	2360																	

Part Number	JIS Nominal		F	F1	W	L	L1	t	A	A1	A2	d	d1	B	S	Basic Load Rating (kN)		Set Screw		Mass (g)		Unit Price		
	Type	HDH														HDF	Cr (Dynamic)	Cor (Static)	M1	Tightening Torque (N·cm)	Axial Load Capacity (N)	HDH	HDF	C-HDH
C-HDH C-HDF	20	UCFL204	UCF204	113	90	62	88	63.5	12	33.3	25.5	15	12	31.0	12.7	12.8	6.6	M6x1	400	1280	700	500		
	25	UCFL205	UCF205	125	99	70	97	70	15	35.8	27	16	12	34.1	14.3	14	7.9			1400	900	600		
	30	UCFL206	UCF206	142	116.5	83	110	82.5	13	40.2	31	18	12	38.1	15.9	19.6	11.3			1960	1100	900		
	35	UCFL207	UCF207	156	130	96	119	92	14	44.4	34	19	16	42.9	17.5	25.9	15.4	M8x1	850	2590	1500	1200		
	40	UCFL208	UCF208	172	143.5	105	132	101.5	15	51.2	36	21	16	49.2	19	29.3	17.9			2930	1900	1600		

Ordering Example  
 Part Number  
**HDH25**  
**HDF35**

Ordering Example  
 Part Number  
**C-HDH25**  
**C-HDF35**

kgf=Nx0.101972

kgf=Nx0.101972