


Points of comparison against similar products | Max. Basic Dynamic Load Rating 16.7kN

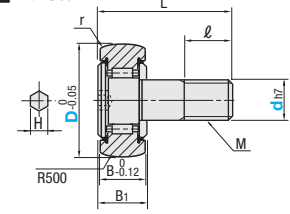
Similar Product Pages P.1073

**■ Crowned**

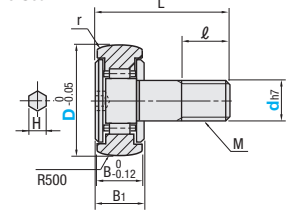
Type		Material	Accessory
With Seal	No Seal		
C-CFUA	C-CUA	SUJ2	1 Hex Nut (S45C Carbon Steel, Black Oxide)

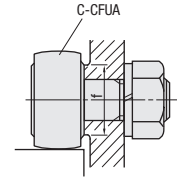


**■ With Seal**



**■ No Seal**






⊘ No grease hole is provided.  
⊘ Operating Temp.: 80°C or lower

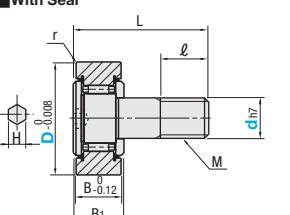
Part Number	Type	dh7 Tolerance	D (Selectable)	MxPitch	B	B1	L	l	r	f	H	Basic Dynamic Load Rating C (kN)	Basic Static Load Rating C (kN)	Max. Allowable Load (kN)	Track Load Capacity (kN)	Max. Rotational Speed (rpm)		Mass (g)	Unit Price	
																With Seal	No Seal		C-CFUA	C-CUA
(With Seal) C-CFUA (No Seal) C-CUA	3	0/-0.010	10	3x0.5	7	8	17	5	0.3	7	2	1.18	0.94	0.29	0.3	26320	37600	4.5		
	4	0/-0.010	12	4x0.7	8	9	20	6	0.3	8.5	2.5	1.65	1.64	0.62	0.38	20720	29600	7.5		
	5	0/-0.012	13	5x0.8	9	10	23	7.5	0.3	9.6	3	2.51	2.22	1.14	0.42	16240	23200	10.5		
	6	0/-0.012	16	6x1.0	11	12.2	28	8	0.15	12.5	4	3.15	3.3	1.69	0.86	14000	14000	18.5		
	8	0/-0.015	19	8x1.25															32	10
	10	0/-0.015	22	10x1.0	12	13.2	36	12	0.3	17.5	5	4.5	5.2	4.65	1.34	8000	8000	45		
	12	0/-0.018	30	12x1.5	14	15.2	40	13	0.6	23	6	6.8	8.4	7.5	1.83	5500	5500	60		
	16	0/-0.018	35	16x1.5	18	19.6	52	17	0.6	27.6	8	9.8	14.1	13.84	2.51	3600	3600	170		
	18	0/-0.021	40	18x1.5	20	21.6	58	19	1	31.5	8	10.9	15.5	20.88	2.98	2900	2900	250		
	20	0/-0.021	52	20x1.5	24	25.6	66	21	1	36.5	10	16.7	29	25.68	6.58	2400	2400	460		

**■ Flat**

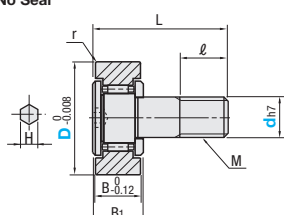
Type		Material	Accessory
With Seal	No Seal		
C-CFFA	C-CFA	SUJ2	1 Hex Nut (S45C Carbon Steel, Black Oxide)

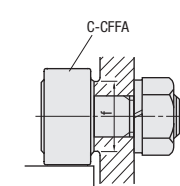


**■ With Seal**



**■ No Seal**





⊘ No grease hole is provided.  
⊘ Operating Temp.: 80°C or lower

Part Number	Type	dh7 Tolerance	D (Selectable)	MxPitch	B	B1	L	l	r	f	H	Basic Dynamic Load Rating C (kN)	Basic Static Load Rating C (kN)	Max. Allowable Load (kN)	Track Load Capacity (kN)	Max. Rotational Speed (rpm)		Mass (g)	Unit Price	
																With Seal	No Seal		C-CFFA	C-CFA
(With Seal) C-CFFA (No Seal) C-CFA	3	0/-0.010	10	3x0.5	7	8	17	5	0.3	7	2	1.18	0.94	0.29	0.3	26320	37600	4.5		
	4	0/-0.010	12	4x0.7	8	9	20	6	0.3	8.5	2.5	1.65	1.64	0.62	0.38	20720	29600	7.5		
	5	0/-0.012	13	5x0.8	9	10	23	7.5	0.3	9.6	3	2.51	2.22	1.14	0.42	16240	23200	10.5		
	6	0/-0.012	16	6x1.0	11	12.2	28	8	0.15	12.5	4	3.15	3.3	1.69	0.86	14000	14000	18.5		
	8	0/-0.015	19	8x1.25															32	10
	10	0/-0.015	22	10x1.0	12	13.2	36	12	0.3	17.5	5	4.5	5.2	4.65	1.34	8000	8000	45		
	12	0/-0.018	30	12x1.5	14	15.2	40	13	0.6	23	6	6.8	8.4	7.5	1.83	5500	5500	60		
	16	0/-0.018	35	16x1.5	18	19.6	52	17	0.6	27.6	8	9.8	14.1	13.84	2.51	3600	3600	170		
	18	0/-0.021	40	18x1.5	20	21.6	58	19	1	31.5	8	10.9	15.5	20.88	2.98	2900	2900	250		
	20	0/-0.021	52	20x1.5	24	25.6	66	21	1	36.5	10	16.7	29	25.68	6.58	2400	2400	460		

Ordering Example: Part Number - D  
C-CFUA10 - 22