


Roller Followers

Separate, Solid

Similar Products Comparison Points | Max. Basic Dynamic Load Rating 41.7kN

Similar Product Pages P.1090

Separate

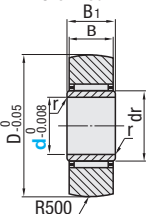


RoHS 10

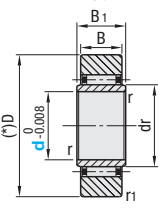
Grease	No Seal		With Seal		Material
	Crowned	Flat	Crowned	Flat	
General	NASTR	NASTF	NASTZ	NASTFZ	SUJ2 Equivalent
Low Dust Generation	-	NASTFS	NASTZS	NASTFZS	SUS440C

No Seal

Crowned

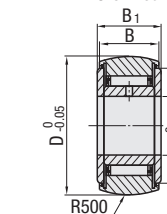


Flat

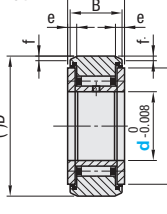


With Seal

Crowned



Flat



* D Tolerance

19-30	0.009
32-47	0.011

Operating Temp.: 80°C or lower

Operating Temp.: 80°C or lower

Separated to an outer ring, an inner ring, and a retainer. See the figure on the overview page P.1087.


Part Number Type	d	D	dr	B	B ₁	r	r ₁	Basic Dynamic Load Rating		Basic Static Load Rating		Track Load Capacity (kN)		Max. Rotational Speed (rpm)	Mass (g)	Unit Price		
								C (kN)	Co (kN)	Co (kN)	Co (kN)	NASTR	NASTF			NASTFS		
(Crowned) NASTR	6	19	10	9.8	10	0.5	0.5	4.12	4.55	1.37	3.53	20000	17.8	-	-	-		
	8	24	12	-	-	1.0	1.0	5.68	5.89	1.86	4.02	17000	28	-	-	-		
	10	30	14	-	-	1.5	1.5	9.70	9.67	2.45	5.59	15000	50	-	-	-		
	12	32	16	11.8	12	0.5	1.5	10.4	10.9	2.74	5.98	13000	58	-	-	-		
	15	35	20	-	-	-	-	12.3	14.3	3.14	-	10000	62	-	-	-		
	17	40	22	15.8	16	-	-	17.4	20.9	3.72	-	9500	110	-	-	-		
20	47	25	-	-	-	-	19.2	24.5	4.61	-	8500	155	-	-	-			

Apply ample grease before use. kgf=Nx0.101972

Part Number Type	d	D	a	B	B ₁	e	f	Basic Dynamic Load Rating		Basic Static Load Rating		Track Load Capacity (kN)		Max. Rotational Speed (rpm)	Mass (g)	Unit Price		
								C (kN)	Co (kN)	Co (kN)	Co (kN)	NASTZ	NASTFZ			NASTZS	NASTFZS	NASTZFS
(Crowned) NASTZ	6	19	14	13.8	14	-	-	4.12	4.55	1.37	3.53	8000	24.5	-	-	-		
	8	24	17.5	-	-	-	-	5.68	5.89	1.86	4.51	6800	39	-	-	-		
	10	30	23.5	-	-	2.5	0.8	9.70	9.67	2.45	6.86	6000	65	-	-	-		
	12	32	25.5	15.8	16	-	-	10.4	10.9	2.74	7.35	5200	75	-	-	-		
	15	35	29.0	-	-	-	-	12.3	14.3	-	8.04	4000	83	-	-	-		
	17	40	32.5	19.8	20	3	1	17.4	20.9	-	11.8	3800	135	-	-	-		
20	47	38.0	-	-	-	-	19.2	24.5	-	13.8	3400	195	-	-	-			

kgf=Nx0.101972

Solid

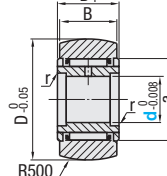


RoHS 10

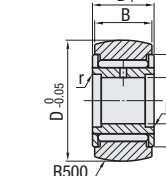
Grease	No Seal		With Seal		Material
	Crowned	Heavy Load Crowned	Crowned	Heavy Load Crowned	
General	NARTR	NARTRV	NARTU	NARTV	SUJ2 Equivalent
Low Dust Generation	NARTRS	-	NARTUS	NARTVS	SUS440C

No Seal

Crowned

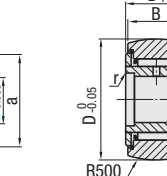


Heavy Load Crowned

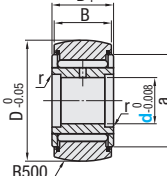


With Seal

Crowned



Heavy Load Crowned



Operating Temp.: 80°C or lower

Separated to an outer ring, an inner ring, and a retainer. See the figure on the overview page P.1087.

Part Number Type	d	D	a	B	B ₁	r	Basic Dynamic Load Rating C (kN)		Basic Static Load Rating Co (kN)		Track Load Capacity (kN)	Max. Rotational Speed (rpm)	Mass (g)	Unit Price			
							NARTR	NARTRV	NARTU	NARTV				NARTRS	NARTRV	NARTV	
(Crowned) NARTR	5	16	12	11	12	0.5	2.84	6.46	2.65	7.81	1.08	25000	10500	15	-	-	-
	6	19	14	-	-	-	3.33	7.58	3.35	10.2	1.37	20000	8700	21	-	-	-
	8	24	17.5	-	-	-	5.68	11.7	5.89	15.6	1.86	17000	7000	42	-	-	-
	10	30	23.5	14	15	-	7.94	15.8	7.59	18.5	2.45	15000	5700	66	-	-	-
	12	32	25.5	-	-	-	8.53	17.0	8.44	21.0	2.74	13000	5200	73	-	-	-

kgf=Nx0.101972

Part Number Type	d	D	a	B	B ₁	r	Basic Dynamic Load Rating C (kN)		Basic Static Load Rating Co (kN)		Track Load Capacity (kN)	Max. Rotational Speed (rpm)	Mass (g)	Unit Price				
							NARTU	NARTV	NARTU	NARTV				NARTU	NARTV	NARTUS	NARTVS	NARTV
(Crowned) NARTU	5	16	12	11	12	0.5	2.84	6.46	2.65	7.81	1.08	10000	4200	14.5	15.1	-	-	-
	6	19	14	-	-	-	3.33	7.58	3.35	10.2	1.37	8000	3480	20.5	21.5	-	-	-
	8	24	17.5	-	-	-	5.68	11.7	5.89	15.6	1.86	6800	2800	41.5	42.5	-	-	-
	10	30	23.5	14	15	-	7.94	15.8	7.59	18.5	2.45	6000	2280	64.5	66.5	-	-	-
	12	32	25.5	-	-	-	8.53	17.0	8.44	21.0	2.74	5200	2080	71	73	-	-	-
	15	35	29.0	18.0	19	-	13.7	25.3	16.4	36.9	3.14	4000	1720	102	106	-	-	-
17	40	32.5	20.0	21	-	17.4	32.0	19.3	46.6	3.72	3800	1560	149	155	-	-	-	
20	47	38.0	24.0	25	-	22.9	41.7	30.6	67.7	4.15	3200	1360	250	255	-	-	-	

kgf=Nx0.101972

Ordering Example Part Number NASTR8

MISUMI C-VALUE Roller Followers


Separate, Solid

Compared to similar products, 30% Off Max.

Similar Products Comparison Points | Max. Basic Dynamic Load Rating 20.6kN

Similar Product Pages P.1089

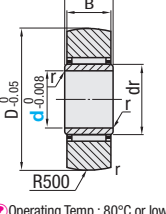
Separate



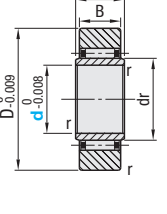
Grease	No Seal		With Seal		Material
	Crowned	Flat	Crowned	Flat	
General	C-NASTR	C-NASTF	C-NASTZ	C-NASTFZ	SUJ2 Equivalent

No Seal

Crowned

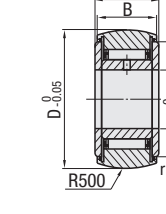


Flat

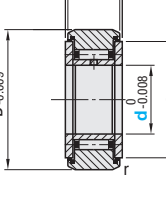


With Seal

Crowned



Flat



* D Tolerance

19-30	0.009
32-47	0.011

Operating Temp.: 80°C or lower

Separated to an outer ring, an inner ring, and a retainer. See the figure on the overview page P.1087.


Part Number Type	d	D	dr	B	B ₁	r	Basic Dynamic Load Rating		Basic Static Load Rating		Track Load Capacity (kN)		Max. Rotational Speed (rpm)	Mass (g)	Unit Price	
							C (kN)	Co (kN)	Co (kN)	Co (kN)	C-NASTR	C-NASTF				
(Crowned) C-NASTR	6	19	10	9.8	10	0.3	3.75	4.57	1.1	2.82	10000	17.8	-	-	-	
	8	24	12	-	-	-	4.2	5.4	1.49	3.22	8000	28	-	-	-	
	10	30	14	-	-	-	8.4	9.2	1.96	4.47	5500	50	-	-	-	
	12	32	16	11.8	12	-	9.0	10.1	2.19	4.78	4500	58	-	-	-	
	15	35	20	-	-	-	9.1	10.7	2.51	-	3300	62	-	-	-	
	17	40	22	15.8	16	-	14.2	17.7	2.98	-	2800	110	-	-	-	
20	47	25	-	-	-	16.2	21.5	3.69	-	2400	155	-	-	-		

Apply ample grease before use. kgf=Nx0.101972

Part Number Type	d	D	a	B	B ₁	r	Basic Dynamic Load Rating		Basic Static Load Rating		Track Load Capacity (kN)		Max. Rotational Speed (rpm)	Mass (g)	Unit Price	
							C (kN)	Co (kN)	Co (kN)	Co (kN)	C-NASTZ	C-NASTFZ			C-NASTZS	C-NASTFZS
(Crowned) C-NASTZ	6	19	14	13.8	14	0.3	1.21	1.45	1.1	2.82	12000	24.5	-	-	-	
	8	24	17.5	-	-	-	1.3	1.7	1.49	3.61	9900	39	-	-	-	
	10	30	25.5	-	-	-	2.34	2.38	1.96	5.49	9400	65	-	-	-	
	12	32	25.5	15.8	16	-	2.52	2.68	2.19	5.88	8100	75	-	-	-	
	15	35	30	-	-	-	2.9	3.4	-	6.43	6300	83	-	-	-	
	17	40	33	19.8	20	-	4.27	5.24	-	9.44	5600	135	-	-	-	
20	47	37	-	-	-	4.5	5.7	-	11.04	4900	195	-	-	-		

kgf=Nx0.101972

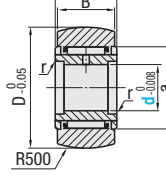
Solid



Grease	No Seal		With Seal		Material
	Crowned	Heavy Load Crowned	Crowned	Heavy Load Crowned	
General	C-NARTR	-	C-NARTU	C-NARTV	SUJ2 Equivalent

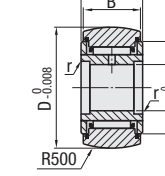
No Seal

Crowned

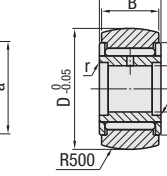


With Seal

Crowned



Heavy Load Crowned



Part Number Type	d	D	a	B	B ₁	r	Basic Dynamic Load Rating C (kN)		Basic Static Load Rating Co (kN)		Track Load Capacity (kN)	Max. Rotational Speed (rpm)	Mass (g)	Unit Price	
							C-NARTU	C-NARTV	C-NARTU	C-NARTV				C-NARTU	C-NARTV
(Crowned) C-NARTR	5	16	12	11	12	0.15	3.15	3.3	0.86	14000	3800	14.5	15.1	-	-
	6	19	14	-	-	-	3.5	3.9	1.1	11000	3100	20.5	21.5	-	-
	8	24	19	-	-	-	5.5	6.4	1.49	7500	2500	41.5	42.5	-	-
	10	30	23	14	15	-	6.8	8.4	1.96	5500	2100	64.5	66.5	-	-
	12	32	25	-	-	-	6.9	8.8	2.19	4500	1800	71	73	-	-

kgf=Nx0.101972

Part Number Type	d	D	a	B	B ₁	r	Basic Dynamic Load Rating C (kN)		Basic Static Load Rating Co (kN)		Track Load Capacity (kN)	Max. Rotational Speed (rpm)	Mass (g)	Unit Price	
							C-NARTU	C-NARTV	C-NARTU	C-NARTV				C-NARTU	C-NARTV
(Crowned) C-NARTU	5	16	12	11	12	0.15	3.15	4.9	3.3	6.5	0.86	14000	3800	14.5	15.1
	6	19	14	-	-	-	3.5	5.4	3.9	7.9	1.1	11000	3100	20.5	21.5
	8	24	19	-	-	-	5.5	7.8	6.4	11.4	1.49	7500	2500	41.5	42.5
	10	30	23	14	15	-	6.8	9.5	8.4	14.6	1.96	5500	2100	64.5	66.5
	12	32	25	-	-	-	6.9	9.7	8.8	15.4	2.19	4500	1800	71	73
	15	35	27	18	19	-	9.8	12.8	14.1	23	2.51	3600	1600	102	106
17	40	32	20	21	-	10.9	14.8	15.5	26.5	2.98	2900	1400	149	155	
20	47	37	24	25	-	15.5	20.6	25.5	42	5.72	3000	2400	250	255	