


Sprockets for Block Chains / Corner Discs

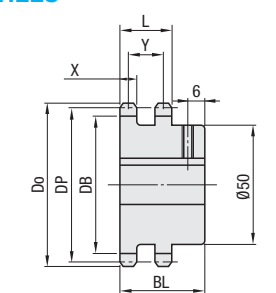
■ Features: Sprockets for 2-row Block Chains and Side Flexing Chains. Can be used for return transfer.

■ Sprockets for Block Chains

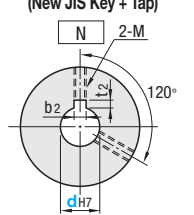


RoHS10

CHEES



Shaft Bore Specifications (New JIS Key + Tap)



⚠ Offset between tooth tip and keyway is ±0.5mm.

Shaft Bore Dia. D	Keyway b x t x z	Set Screw M
20	6x2.8	6
25	8x3.3	8
30	8x3.3	8

Type	Material	Surface Treatment
CHEES	S45C	Bright Chromate Plating
CHEESS	SUS304	-
CHEER	S45C	Bright Chromate Plating
CHEERS	SUS304	-


⚠ Set Screw

Part Number Type	dh7	Number of Teeth	Do	Dp	Root Dia. DB	L	BL	X	Y	Reference Mass(kg)	Applicable Chain	Unit Price	
												Steel	Stainless Steel
Steel CHEES Stainless Steel CHEESS	20	16	68	65.1	57.15	21.4	35	7	14.4	0.6	CHER □ 40W CHEA □ 40W CHEF □ 40W (P.1579~1580) CHEE □ 40W (P.1584)		
	25												
	30												
Steel CHEER Stainless Steel CHEERS	20	16	95	85.61	73.7	37	57.3	7	30	1.3	CHEC □ 60 CHECA60 CHEAC □ 60 CHEFR □ 60 (P.1581~1582)		
	25												
	30												

Ordering Example: Part Number **CHEES20**

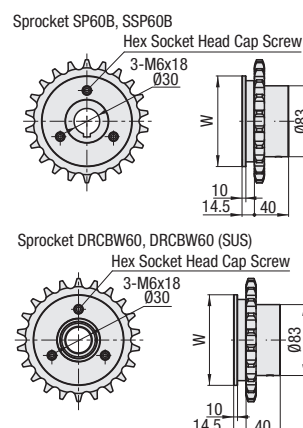
■ Features: Use at the corner of Side Flexing Chains.

■ Corner Discs



RoHS10

CDTR



Sprocket SP60B, SSP60B
Hex Socket Head Cap Screw
3-M6x18
Ø30

Sprocket DRCBW60, DRCBW60 (SUS)
Hex Socket Head Cap Screw
3-M6x18
Ø30

Type	Material
CDTR	Polycetal

■ Accessory

Sprocket Set	Material	Surface Treatment	Sprockets	Material	Surface Treatment	Hex Socket Head Cap Screw
SET1	S45C Equivalent (Induction Hardened Teeth Tip)	-	-	SCM435	Trivalent Chromate	-
SET3	SUS304 Equivalent	Black Oxide	-	SUS304 Equivalent	-	-
SET2	SUS304 Equivalent	-	-	SUS304 Equivalent	-	-
SET4	SUS304 Equivalent	-	-	SUS304 Equivalent	-	-

⚠ Use in combination with Side Flexing Chains (P. 1581, 1582)


Part Number Type	R	Sprocket Type	Corner Disc W	Sprocket		Unit Price
				Part No.	Catalog Page No.	
CDTR	67	SET1	106.1	SP60B22-N-30	P.1596	
		SET2		SSP60B22-N-30	P.1600	
		SET3		DRCBW60-22	P.1603	
		SET4		DRCBW60-30 (SUS)		
	91	SET1	154.7	SP60B30-N-35	P.1596	
		SET2		SSP60B30-N-35	P.1600	
		SET3		DRCBW60-30	P.1603	
		SET4		DRCBW60-30 (SUS)		

Ordering Example: Part Number **CDTR** - **R** **67** - **Sprocket Type** **SET1**

Table Top Conveyor Chains, Sprockets, Idlers

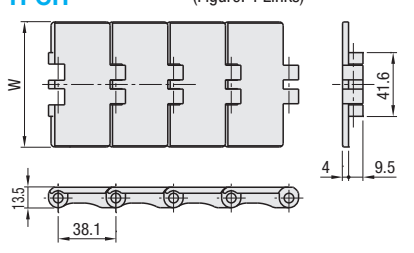
■ Features: Use for transfer of containers and packaged workpieces. Available for long distance conveyance.

■ Table Top Conveyor Chains



RoHS10

TPCH (Figure: 4 Links)



⚠ Pins for connection (SUS430 equivalent) are attached.


Part Number	Specification	Material	Color	Sliding Friction Coefficient μ1	Operating Temp. (°C)	Allowable Tension (kN)
TPCH	General Use	POM	Brown	0.14~0.18	-5~65	1.65
TPCHS	Extra Low Friction	POM + Lubricant	Cream	0.12~0.15	-5~65	1.57
TPCHC	Conductivity Heat Resistant	POM + Glass Fiber	Black	0.20~0.24	-20~120	1.50
TPCHY	Chemical Resistant	Fluororesin	Translucent	0.18~0.22	-20~80	1.57

⚠ The chain can be made longer than 360 links by connecting them with a pin included.
 ⚠ Sprockets and Idlers are common for either types of Chains.
 ⚠ For Top Chains selection information materials and Frictional Coefficient Table, refer to P.2319.
 ⚠ When the ordered number of links exceeds the given number of links per unit, the qty. of links per unit and the extra qty. of links are packaged separately.
 Ex.) For TPCH826-240, 2 separate packages: 160 links x 1 unit + 80 links

Part Number Type	Nominal	Number of Links Configurable	W	Mass (kg/m)	1 Unit Number of Links (Circumference Length 6,096mm)	Unit Price (Unit : 1 Link)			
						TPCH	TPCHS	TPCHC	TPCHY
TPCH TPCHS TPCHC TPCHY	826	20~360	82.6	0.85	160				
	1143		114.3	1.03					

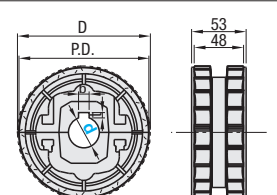
Ordering Example: Part Number **TPCH826** - Number of Links **300**

■ Table Top Conveyor Chain Sprocket



RoHS10

TPSP




Material: Sprocket: Glass Reinforced Nylon

• Shaft Bore Specifications for Sprockets

Shaft Bore Nominal	d	b	t	Recommended Shaft
25	24.9	8	3.4	Ø25h9
30	29.9	8	3.4	Ø30h9
40	39.9	12	3.4	Ø40h9

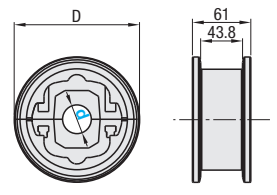
Part Number Type	Number of Teeth	Shaft Bore Dia. d	D	P.D.	Unit Price
	23	142.0	141.2		
	25	153.8	153.2		

■ Table Top Chain Idler



RoHS10

TPDR



Material: Idler: Glass Reinforced Nylon

• Shaft Bore Specifications for Idlers

Shaft Bore Nominal	d	Recommended Shaft
25	25.3	Ø25h9
30	30.3	Ø30h9
40	40.3	Ø40h9

Part Number Type	Nominal	Shaft Bore Dia. d	D	Unit Price
	23	142.5		
	25	154.5		

Ordering Example: Sprocket Part Number **TPSP21** - Shaft Bore Dia. **25**
 Idler Part Number **TPDR23** - Shaft Bore Dia. **30**

