


# Locating Pins - Large Head, Tapered

Press Fit

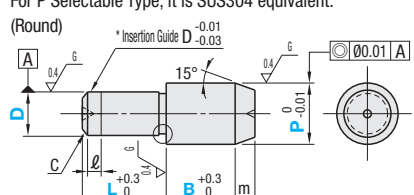
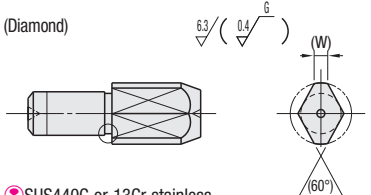
For products uncovered by e-Catalog Standard, see P.131.

Features: Tapered Head Standard Type. Press Fit. Economical and there is a variety of selections to choose from. Same day shipping available.



Material No.	Material	Surface Treatment	Hardness	P Selectable		P, L, B Configurable	
				Type	D Tolerance and Shape	Type	D Tolerance and Shape
(1)	SKS3 Equivalent	-	Treated Hardness: 60~63HRC	JP	<Round>	FP	<Round>
(2)	SKS3 Equivalent	Hard Chrome Plating	Treated Hardness: 50~55HRC / Plating Hardness: 750HV	GJP	BB (m6)	GFP	BA (m6)
(3)	SKS3 Equivalent	-	-	BJP	BPB (p6)	BFP	BPA (p6)
(4)	SUS304*	-	-	SJP	<Diamond>	SFP	BG (g6)
(5)	SUS304	Hard Chrome Plating	Plating Hardness: 750HV ~	HJP	DB (m6)	HFP	<Diamond>
(6)	SUS440C or 13Cr stainless	-	Treated Hardness: 50~55HRC	CJP	DPB (p6)	CFP	BD (m6)
							BPD (p6)
							DG (g6)

\* For P Selectable Type, it is SUS304 equivalent.

(Round)  (Diamond) 

\* The insertion guide is applicable to tolerance p6 only.

SUS440C or 13Cr stainless has an identification groove at any position on D part.

Polished, centering hole is sometimes not available for SUS304.

(4) Price List for Large Qty. Order of SUS304 (301-500 pcs.)

D	Round Shape	Diamond Shape
	SFPBA SFPBPA SFPBG	SFPBD SFPBPD SFPDG
2		
3		
4		
5		
6		
8		
10		
12		
13		
16		
20		

P Selectable

Type	D Tolerance and Shape	D	D dim. Tolerance		P Selection	L	B	C	m	l	W
			m6	p6							
JP GJP BJP SJP HJP CJP	<Round> BB (m6) BPB (p6)	1			2	3	3	0.1	0.5	0	-
		2	+0.008 +0.002	+0.012 +0.006	3 4	4	3	0.5	1	1	1.2
		3			4 5 6	5	5	1	2	1	1.5
		4			5 6	6	6	1	3	1	1.8
		5	+0.012 +0.004	+0.020 +0.012	6 8	7	7	1.5	4	2	2.2
		6			8 10	8	8	2	5	2	3
		8	+0.015 +0.006	+0.024 +0.015	10 12 13	9	9	3	6	2	3.5
		10			12 13 15	10	10	4	7	2	4
		12			13 15 16	11	11	5	8	2	5
		13	+0.018 +0.007	+0.029 +0.018	15 16	12	12	6	9	2	5.5
		16			20 25	13	13	8	10	2	7
		20	+0.021 +0.008	+0.035 +0.022	25 30	14	14	10	12	2	9

P, L, B Configurable

Type	D Tolerance and Shape	D	D dim. Tolerance			P	L	B	C	m	l	W
			m6	p6	g6							
FP GFP BFP SFP HFP CFP	<Round> BA (m6) BPA (p6) BG (g6)	1				1.20(1.50)~3.00(2.50)	2~3	1.0~5.0	0.1	0.5	0	0.6
		2	+0.008 +0.002	+0.012 +0.006	-0.002 -0.008	2.50~6.00(4.00)	2~6	1.0~15.0(10.0)	0.5	1	1	1.2
		3				3.50~8.00	3~10	1.0~15.0(10.0)	1	2	1	1.5
		4				4.50~8.00	3(4)~14	1.0~15.0(10.0)	1	3	1	1.8
		5	+0.012 +0.004	+0.020 +0.012	-0.004 -0.012	5.50~10.00	5~15	1.0~15.0(10.0)	1.5	4	1	2.2
		6				6.50~10.00	5~15	1.0~30.0(25.0)	2	5	1	3
		8	+0.015 +0.006	+0.024 +0.015	-0.005 -0.014	8.50~15.00	5(6)~16	1.0~30.0(25.0)	3	6	1	3.5
		10				11.00~17.00	5(10)~20	3.0~30.0(25.0)	4	7	1	4
		12				13.00~18.00	6(10)~24	3.0~30.0(25.0)	5	8	1	5
		13	+0.018 +0.007	+0.029 +0.018	-0.006 -0.017	14.00~20.00	7(12)~26	5.0~30.0(25.0)	6	9	1	5.5
		16				17.00~27.00	8(15)~32	5.0~30.0	7	10	1	7
		20	+0.021 +0.008	+0.035 +0.022	-0.007 -0.020	22.00~30.00	10(15)~40	5.0~30.0	8	12	1	9

P, L, B dimensions in ( ) are applicable to Diamond Shape.

Ordering Example

Part Number: **P** - **L** - **B**

JP BB 6 - 10  
 FP BA 10 - P12.02 - L10 - B3.2  
 FP BD 12 - P13.97 - L12 - B5

P Selectable

D	Unit Price Round Shape						Unit Price Diamond Shape					
	(1)Treated SKS3 JPBB JPBPP	(2)Hard SKS3 GJPBB GJPBPP	(3)SKS3 BJPBB BJPBPB	(4)SUS304 SJPBB SJPBPB	(5)Hard SUS304 HJPBB HJPBPB	(6)SUS440C or 13Cr stainless CJPBB CJPBPB	(1)Treated SKS3 JPDB JPDDB	(2)Hard SKS3 GJPDB GJPDDB	(3)SKS3 BJPDB BJPDDB	(4)SUS304 SJPDB SJPDDB	(5)Hard SUS304 HJPDB HJPDDB	(6)SUS440C or 13Cr stainless CJPDB CJPDDB
1												
2												
3												
4												
5												
6												
8												
10												
12												
13												
16												
20												

P, L, B Configurable

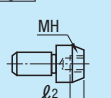
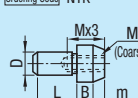
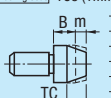
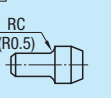
D	Unit Price Round Shape						Unit Price Diamond Shape					
	(1)Treated SKS3 FPBA FPBPA FPBG	(2)Hard SKS3 GFPBA GFPBPA GFPBG	(3)SKS3 BFPBA BFPBPA BFPBG	(4)SUS304 SFPBA SFPBPA SFPBG	(5)Hard SUS304 HFPBA HFPBPA HFPBG	(6)SUS440C or 13Cr stainless CFPBA CFPBA CFPBG	(1)Treated SKS3 FPBD FPBPD FPDG	(2)Hard SKS3 GFPBD GFPBPD GFPDG	(3)SKS3 BFPBD BFPBPD BFPDG	(4)SUS304 SFPBD SFPBPD SFPDG	(5)Hard SUS304 HFPBD HFPBPD HFPDG	(6)SUS440C or 13Cr stainless CFPBD CFPBD CFPDG
1												
2												
3												
4												
5												
6												
8												
10												
12												
13												
16												
20												

Alterations

Part Number: **P** - **L** - **B** - (MH, NTK, TC, RC)

FPBPA10 - P11.01 - L12 - B6.4 - TC6

Alterations are not available for P Selectable Type.

Alterations Code	Tapping	Removal Tap	Length of Tapered Point	Sphere Tip																																								
	MH	NTK	TC	RC																																								
Spec.	<p>Adds a tapped hole.</p> <p>Ordering Code: MH</p>  <p>Applicable when D≥6</p> <p>B≥L2+4</p> <p>M+2 ≤ P - 2 x m x tan15° (=0.27)</p> <table border="1"> <tr><th>D</th><th>M (Coarse)</th><th>L2</th></tr> <tr><td>6</td><td>M3</td><td>4</td></tr> <tr><td>8-13</td><td>M4</td><td>6</td></tr> <tr><td>16-20</td><td>M6</td><td>9</td></tr> </table> <p>Combination with NTK is not available.</p>	D	M (Coarse)	L2	6	M3	4	8-13	M4	6	16-20	M6	9	<p>Machines a removal tap hole.</p> <p>Ordering Code: NTK</p>  <p>Applicable only when D≥6.</p> <p>Combination with MH or TC is not available.</p> <p>Effective tap length of D depends on B dimension configurable range.</p> <p>When L+B+m≤Mx3, the tapped holes go through.</p> <p>When L+B+m≤Mx5, the pilot holes for tapping may go through.</p>	<p>Changes the m dimension.</p> <p>Ordering Code: TC8 (1mm increment)</p>  <p>B+m≥TC+2 (Straight Section min. 2mm)</p> <p>Applicable when P≥2.00.</p> <p>P/2 - TC x tan15° (=0.27) &gt; 0.5 (Tip Ø1.0min.)</p> <p>B dimension changes when TC is specified. (Changed B dimension = B+m-TC)</p> <p>Combination with NTK is not available.</p> <table border="1"> <tr><th>D</th><th>TC</th><th>D</th><th>TC</th></tr> <tr><td>1</td><td>1-2</td><td>8</td><td>5-16</td></tr> <tr><td>2</td><td>2-5</td><td>10</td><td>5-22</td></tr> <tr><td>3</td><td>3-9</td><td>12</td><td>5-22</td></tr> <tr><td>4</td><td>4-11</td><td>13</td><td></td></tr> <tr><td>5</td><td>4-11</td><td>16</td><td>6-23</td></tr> <tr><td>6</td><td>4-13</td><td>20</td><td></td></tr> </table>	D	TC	D	TC	1	1-2	8	5-16	2	2-5	10	5-22	3	3-9	12	5-22	4	4-11	13		5	4-11	16	6-23	6	4-13	20		<p>Changes the relief to R0.5.</p> <p>Ordering Code: RC</p>  <p>Applicable when P-D≥2</p>
	D	M (Coarse)	L2																																									
6	M3	4																																										
8-13	M4	6																																										
16-20	M6	9																																										
D	TC	D	TC																																									
1	1-2	8	5-16																																									
2	2-5	10	5-22																																									
3	3-9	12	5-22																																									
4	4-11	13																																										
5	4-11	16	6-23																																									
6	4-13	20																																										