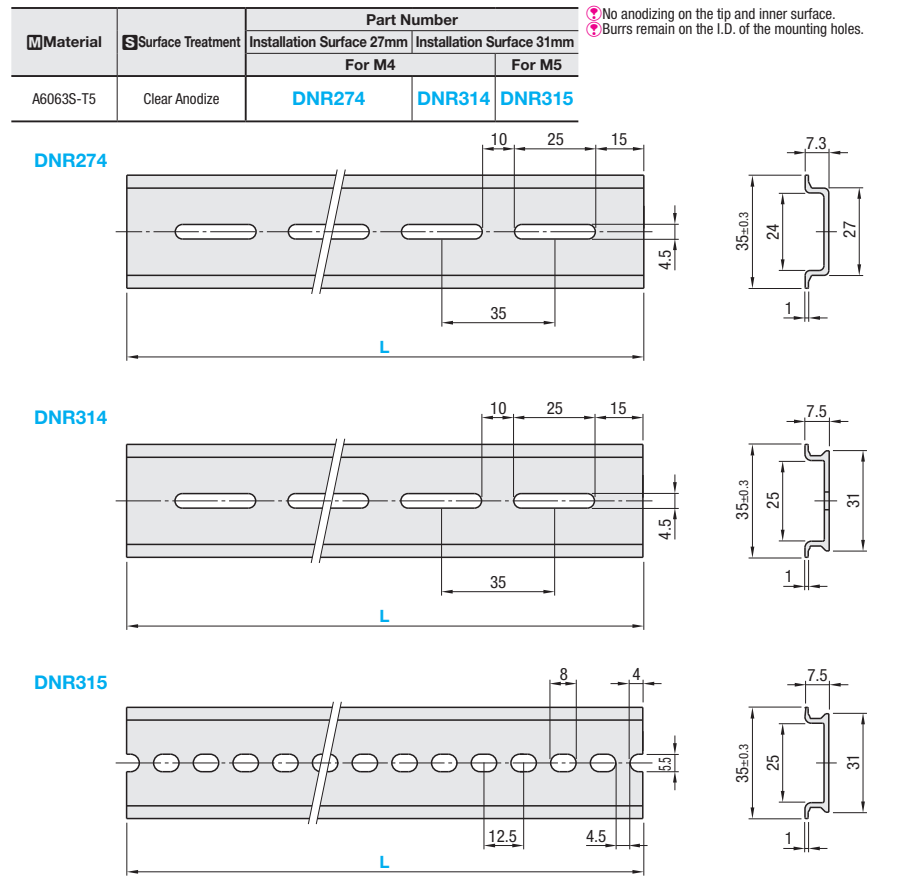


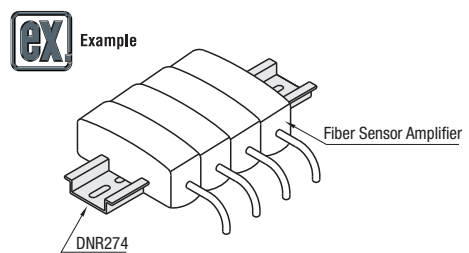
■ **Features:** DIN Rails for mounting amplifiers for fiber sensors or control panels.



⚠ Rails with L=100, 150 and 200 will be cut at random positions. Therefore, the dimensions from the rail end shown on each drawing apply to L=1000 only.

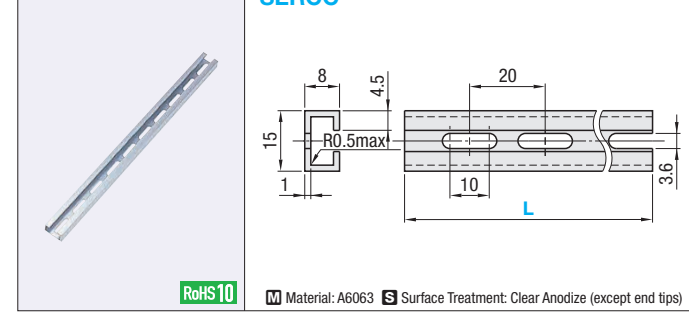
Part Number	L Selection	DNR274-314		DNR315	
		Unit Price	Volume Discount Rate	Unit Price	Volume Discount Rate
DNR274 DNR314 DNR315	100	1~9 pc(s).	10 ~ 29 pcs.	1~9 pc(s).	10 ~ 50 pcs.
	150				
	200				
	1000				

Ordering Example
Part Number - L
DNR274 - 150
DNR315 - 1000



Suitable to mount amplifiers for optical fiber sensors.

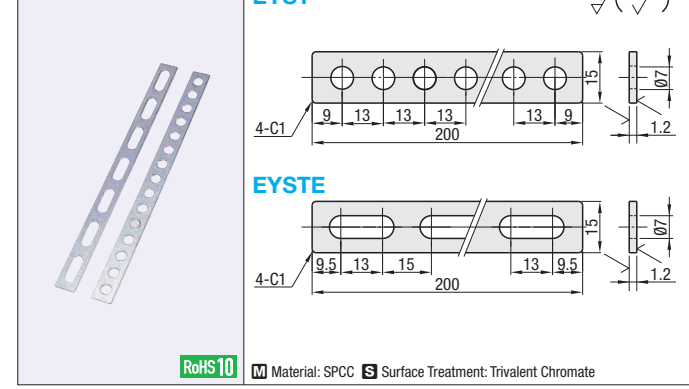
■ C-Shaped Sensor Rails



Part Number	L	Unit Price	Volume Discount Rate
		Qty. 1 ~ 9	
SERCC	200		
	300		
	500		

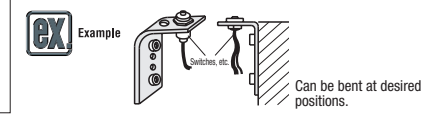
Ordering Example
Part Number - L
SERCC - 200

■ Simple Brackets

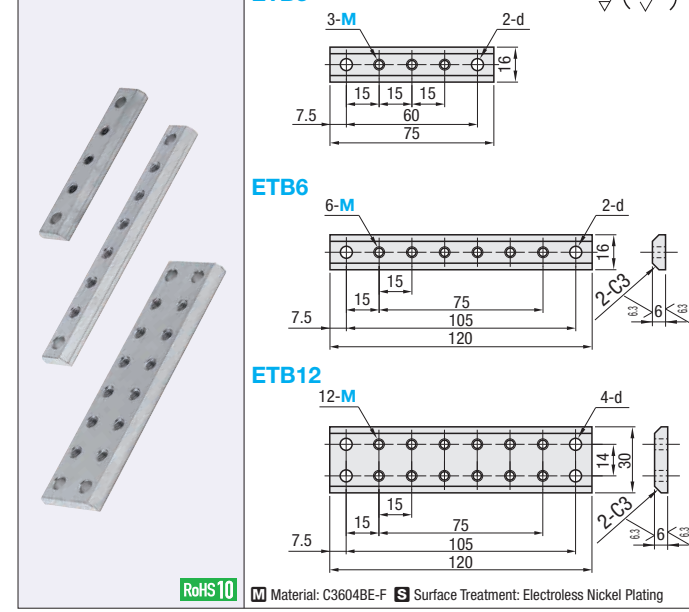


Part Number	Number of Mounting Holes	Unit Price
EYST	15	
EYSTE	7	

Ordering Example
Part Number
EYST



■ Grounding Blocks



Part Number	M	d	Unit Price		
			ETB3	ETB6	ETB12
ETB3	4	4.5			
ETB6	5	5.5			
ETB12	6	6.6			

Ordering Example
Part Number - M
ETB3 - 4

