

### Points of comparison against similar products

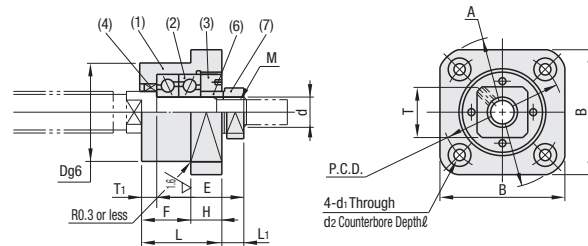
For Load Rating, C-VALUE components are different from the similar products. (For details, see P.772.)  
When considering adopting C-VALUE parts, select them by comparing against similar products in the specifications. P.777

The Standard Type uses Preload Adjusted JIS 5 Class Angular Contact Bearing. It is suitable for high accuracy and high speed rotation-based operations.

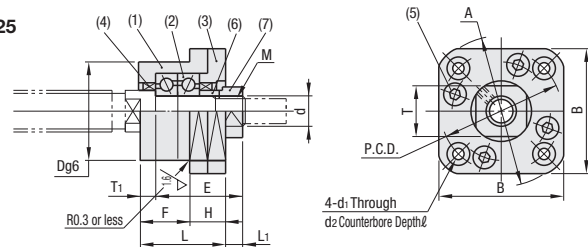


Type	Material	Surface Treatment
Fixed Side only	(1)(3)	(1)(3)(6)(7)
Fixed Side and Support Side SET	(6)(7)	(1)(3)(6)(7)
C-BRW	S45C	SS400
C-BRW-SET	S45C	SS400
		Black Oxide

No.6~8



No.10~25



#### Component Details

Number	Part Name	Qty.
(1)	Bearing Housing	1
(2)	Overseas-made angular contact bearing Grade 5	1 Set
(3)	Cover	1
(4)	Oil Seal	2
(5)	Hex Socket Head Cap Screw	4
(6)	Collar	2
(7)	Bearing Nut (with Set Piece)	1

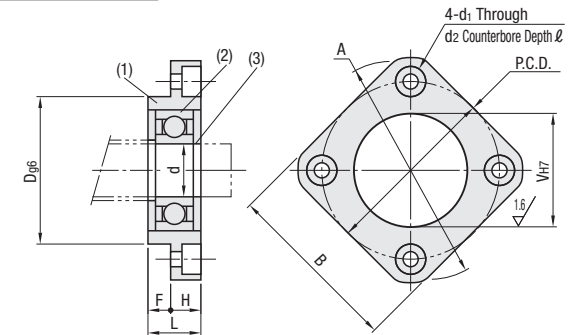
- d=6 and 8 come with one Oil Seal (4).
- Do not disassemble (1), (2), (3), (4) and (5) as they must remain as an assembled unit.
- When used together with a MISUMI ball screw, there is one support unit accessory collar spare.



Type	Material	Surface Treatment
C-BUR	S45C	Black Oxide

#### Component Details

Number	Part Name	Qty.
(1)	Housing	1
(2)	Overseas manufactured radial bearing	1
(3)	Retaining Ring (STWN)	1



Part Number	Type	No.	d	L	H	F	D	A	P.C.D	B	V	d1	d2	I	Bearing Part Number	Retaining Ring	C-BUR
																	Unit Price
C-BUR		6	6	10	6	4	22	36	28	28	17	3.4	6.5	4	B606ZZ	STWN6	
		10	8	12	7	5	28	43	35	35	22				B608ZZ	STWN8	
		12	10	15		8	34	52	42	42	26	4.5	8		B600ZZ	STWN10	
		15	15	17	9		40	63	50	52	32	5.5	9.5	5.5	B600ZZ	STWN15	
		20	20	20	11	9	57	85	70	68	47	6.6	11	6.5	B620ZZ	STWN20	
		25	25	24	14	10	63	98	80	79	52	9	14	8.5	B620ZZ	STWN25	



Ordering Example Part Number C-BUR15 (Support Side Single Type)

Part Number	Support Side SET	d	L	H	F	E	D	A	P.C.D	B	L1	T1	d1	d2	I	M (Fine)	T	Oil Seal Applicable Shaft Dia.	C-BRW	C-BRW-SET	
																			Unit Price	Unit Price	
C-BRW	-SET (Only when purchased in Sets)	6	6	20	7	13	22	22	35	28	28	5.5	3.5	2.9	5.5	3.5	M6x0.75	12	9.5		
		8S	8	23	9	14	26	28	43	35	35	7	4	3.4	6.5	4	M8x1.0	14	10		
		8																	11.5		
		10S	10	27	10		29.5	34	52	42	42	7.5	5	4.5	8	4	M10x1.0	16	12		
		10	12																14		
		12																	15		
		15S	15	32	15		36	40	63	50	52	10	6	5.5	9.5	6	M15x1.0	22	19.5		
		15																	20		
20	20	52	22	30	50	57	85	70	68	8	10	6.6	11	10	M20x1.0	30	25				
25	25	57	27	30	60	63	98	80	79	13	10	9	15	13	M25x1.5	35	31.5				

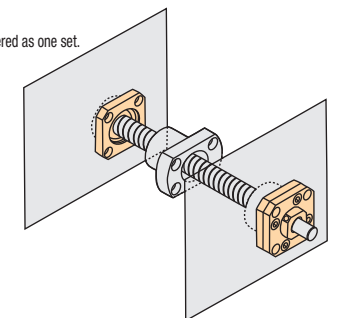
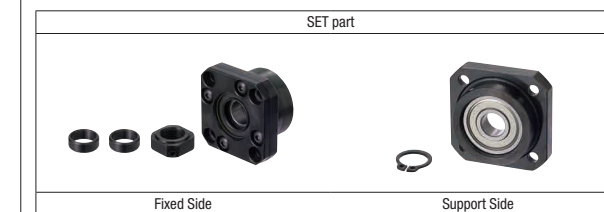


Ordering Example Part Number C-BRW15 (Fixed-side single type) C-BRW15-SET (SET part type)

- For details of Bearings, Included Collars and Bearing Nuts in addition to mounting interface accuracies of Support Units, see P.777.
- Ball Screw Compatibility Chart P.774
- \* Store Accessories with care since they are required when assembling.

### SET part overview

For customers using in conjunction with fixed side and support side MISUMI recommends a SET, which allows the fixed side and support side to be ordered as one set. 5% price reduction when ordering in SETs



### <SET parts>

SET Part Number	SET parts	
	Fixed Side Part Number	Support Side Part Number
C-BRW6-SET	C-BRW6	C-BUR6
C-BRW8S-SET	C-BRW8S	C-BUR6
C-BRW8-SET	C-BRW8	C-BUR6
C-BRW10S-SET	C-BRW10S	C-BUR10
C-BRW10-SET	C-BRW10	C-BUR10
C-BRW12-SET	C-BRW12	C-BUR12
C-BRW15-SET	C-BRW15	C-BUR15
C-BRW15S-SET	C-BRW15S	C-BUR15
C-BRW20-SET	C-BRW20	C-BUR20
C-BRW25-SET	C-BRW25	C-BUR25