


# Bearings with Housings

## T-Shaped Double Bearings

For products other than e-Catalog standards, see P.131.

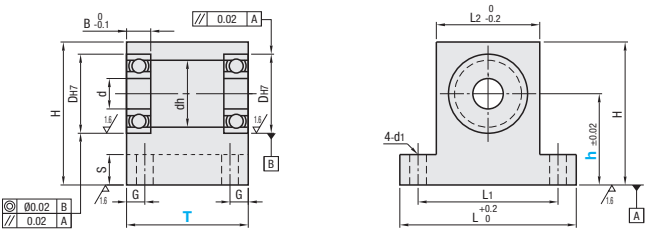
Features: More stable than the single type and suitable for cantilever applications that bear a load.



Type	Material		Surface Treatment
	Bearing	Housing	
BGHWB	Steel	S45C Equivalent	Black Oxide
BGHW			Electroless Nickel Plating
BGHWB			Clear Anodize
BGHWSA	Stainless Steel	SUS304 Equivalent	-
BGHS			-

Bearing Accuracy: JISB1514 Class 0  
6.3 / (1.6 / )

\* Bearings with Rubber Seals (VV and DD) are all made of steel.



Part Number			T	h	d	DH7	Tolerance	dh	B	H	L	L1	L2	G	S	C	d1
BGHWB BGHW BGHWA BGHWSA BGHS	ZZ *VV DD	Seal	20 30	15	3	10	+0.015 0	7	4	h+9	36	26	16	5	5	5	4.5
			624	20 30	20	4	13	+0.018 0	9	h+11	38	28	18				
			605	20 30	25	5	14		10		40	30	20				
			625	25 30	16	12	h+12		46		34	22					
			606	25 35	17	13	h+13	47	35	23							
			626	25 35	19	15	h+14	49	37	25							
			608	25 35	22	18	h+15	53	41	29							
			628	25 35	24	20	h+16	56	44	32							
			6900	25 40	22	19	h+15	53	41	29							
			6000	25 40	26	22	h+17	58	46	34							
			6200	30 40	30	24	h+19	62	50	38							
			6901	25 40	24	21	h+16	56	44	32							
			6001	25 40	28	24	h+18	60	48	36							
			6201	30 40	32	26	h+20	64	52	40							
			6902	*VV	25 50	28	h+18	60	48	36							
			6002	30 50	32	28	h+20	68	54	40							
			6202	35 50	35	29	h+22	72	58	44							
			6903	DD	25 50	30	h+19	64	52	38							
			6003	30 50	35	31	h+22	70	56	43							
			6203	35 50	40	34	h+24	76	62	49							
			6904	35 50	37	34	h+23	73	59	45							
			6004	40 50	42	36	h+25	82	66	50							
			6204	45 50	47	40	h+28	88	72	56							
			6005	40 60	47	41	h+28	96	76	56							
			6205	45 60	52	45	h+31	102	82	62							
			6006	40 60	55	48	h+32	104	84	64							
			6206	50 60	62	55	h+36	112	92	72							
			6007	50 60	62	55	h+36	112	92	72							
6207	60 70	72	64	h+44	148	118	88										
6008	50 70	68	60	h+41	122	102	82										
6208	60 80	80	74	h+50	160	130	100										

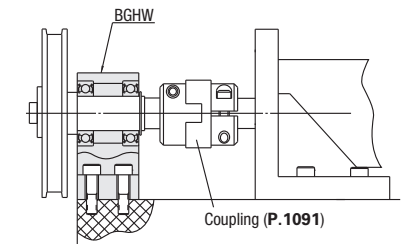
\* No. 623, 624, 605 and 606 are not available for VV (Non-contact Sealed).

Ordering Example

Part Number	T	h
Type Bearing Seal		
BGHW 6000 ZZ	40	30

Bearing No.	Seal	Unit Price				
		BGHWB	BGHW	BGHWB	BGHWSA	BGHS
623						
624						
605						
625						
606						
626						
608						
628						
6900						
6000	ZZ (x1.0)					
6200						
6901						
6001						
6201	VV (x1.1)					
6902						
6002						
6202						
6903	DD (x1.1)					
6003						
6203						
6904						
6004						
6204						
6005						
6205						
6006						
6206						
6007						
6207						
6008						
6208						

Example



Alterations

Part Number - T - h - (KCC-NA)  
BGHW6003ZZ - 50 - 50 - NA

Alterations	Bearings Not Assembled	C2 Chamfer
Code	NA	KCC
Spec.	Bearings are shipped unassembled to the housing.	C2 chamfer is done on the top edge surface.