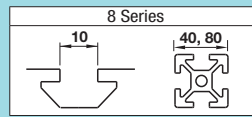


# Thin Brackets

For 8 Series (Slot Width 10mm) Aluminum Extrusions



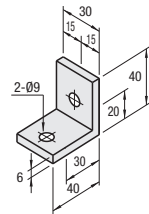
■ **Features:** Thin Extruded Brackets with space saving design.

■ **Thin Brackets**

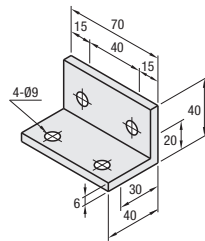


Type	Material	Surface Treatment
HBLSS8	A6N01SS-T5	Anodize
HBLSSB8	A6N01SS-T5	Black Anodize

**HBLSS8**  
**HBLSSB8**  
(Black Anodize)



**HBLSD8**



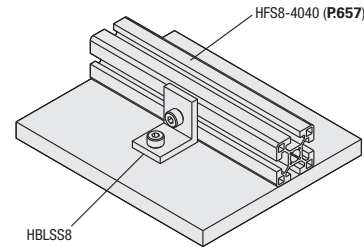
ⓘ The hole positions can be changed.

Part Number	Mass (g)	Applicable Screw, T Nut		Allowable Load (N)	Unit Price (1-99 pcs), 100-200
		Screw Qty.	T Nut Qty.		
HBLSS8	34	CBM8-15	2	HNTT8-8	1666
HBLSSB8* (Black Anodize)					
HBLSD8	80		4		2352

\* For repairing black anodizing, refer to P874.



Example



Ordering Example

Part Number  
**HBLSS8**



Alterations

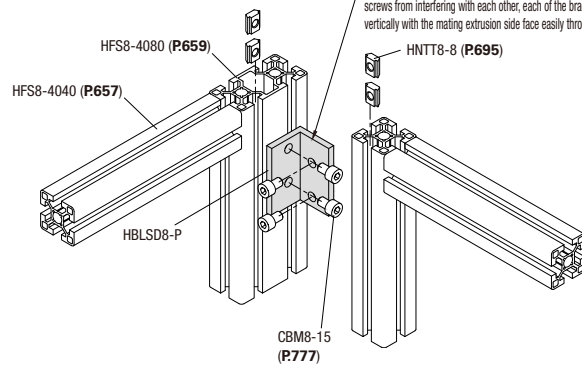
Part Number - (P, SET, SST, SEU, SSU, SEP, SSP, SEC)  
**HBLSD8** - P  
**HBLSS8** - SET  
**HBLSD8** - P-SET

Alteration	Code	Spec.	Applicable Bracket
Thin Bracket Hole Position	P	Changes the screw-mounting hole position for Thin Brackets, HBLSD8. 	<b>HBLSD8</b>

■ **HBLSD8-P Features of HBLSD8-P**

(with "Thin Bracket Hole Position" Alteration applied)

For this bracket, since the staggered arrangement of mounting hole positions avoids screws from interfering with each other, each of the bracket side faces can be assembled vertically with the mating extrusion side face easily through the extrusion slot.



Alterations	Code	Spec.	Applicable Bracket	JPY/1Code						
				SET	SST	SEU	SSU	SEP	SSP	SEC
Applicable Screws and Nuts Set	SET	Applicable screws and nuts for fixing the brackets on extrusions come in a set. (Adds to the bracket price.)  (Ex.) When HBLSS8 is specified: Screw Nut Code Part Number Quantity Part Number Quantity SET CBM8-15 HNTT8-8 SST SCB8-15 HNNTTBS8-8 SEU CBM8-15 HNTL8-8 SSU SCB8-15 SHNTL8-8 SEP CBM8-15 HNTTP8-8 SSP SCB8-15 SHNTP8-8 SEC HCBST8-20 HNTT8-8  ⓘ When specifying other than HBLSS8, check for the applicable screws and nuts.	HBLSS8							
	SST		HBLSD8							
	SEU		HBLSD8							
	SSU		HBLSD8							
	SEP		HBLSD8							
	SSP		HBLSD8							
	SEC		HBLSD8							
			HBLSD8							
			HBLSD8							
			HBLSD8							

ⓘ Screws for black anodized brackets are made of HCBMTB (Trivalent Chromate Black) on P.777.

ⓘ Included Screw is not RoHS compliant when -SET, -SEU or -SEP is specified for any bracket other than black anodized ones.