

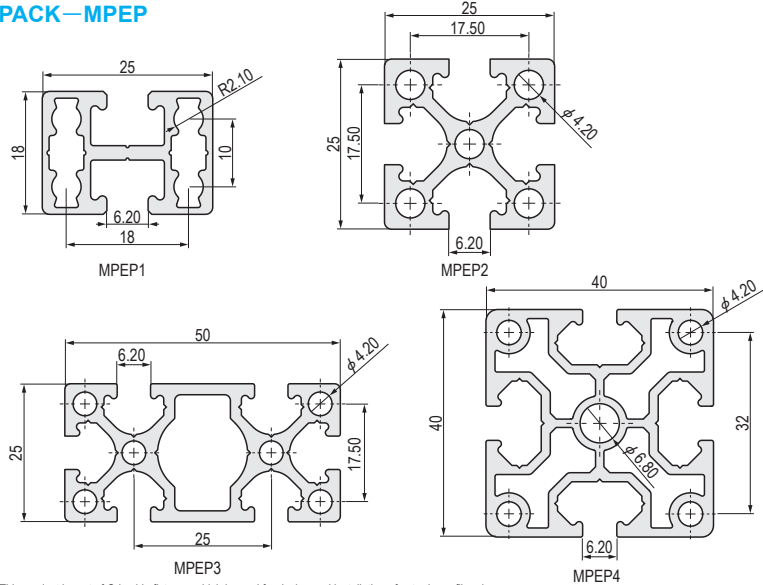
EXTRUDED PROFILES / COVER



Extruded Profiles



4PACK—MPEP



ⓘ This product is part of Grip side fixtures, which is used for design and installation of extrude profile grips.
 Note that It may not be compatible to assemble with other products.
 ⓘ The cross section may not be completely anodized.
 ⓘ The surface is anodized, and the color of the actual product may vary from the product picture.

M Material	S Surface treatment
6063 Aluminum product	Anodizing

Part Number		L	Length	Width	Weight (g)	Applicable Cover
Type	No.					
4PACK—MPEP	1	1000	25	18	400	MPP1
	2		25	25	610	MPP2
	3		50	25	1,040	MPP3
	4		40	40	1,300	MPP4



Order

Part Number
4PACK—MPEP1 — L 1000

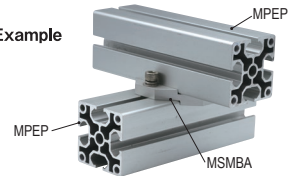


Price

Quotation



Example



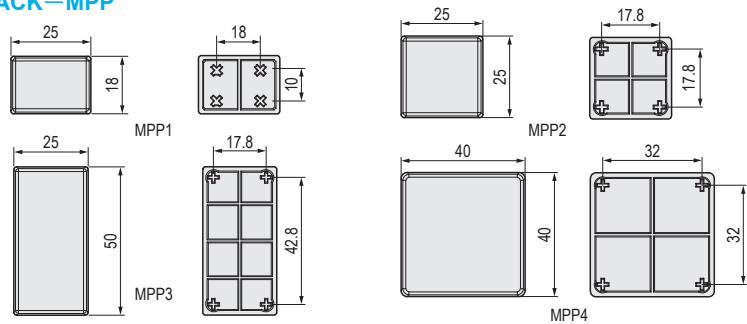
Days to Ship

Quotation

Bracket Cover



50PACK—MPP



ⓘ This product is used together with bracket featured in this catalog.

M Material	S Surface treatment
PP	-

Part Number		Length	Width	Color
Type	No.			
50PACK—MPP	1	25	18	Blue
	2	25	25	
	3	50	25	
	4	40	40	



Order

Part Number
50PACK—MPP1

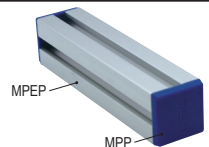


Price

Quotation



Example



Days to Ship

Quotation