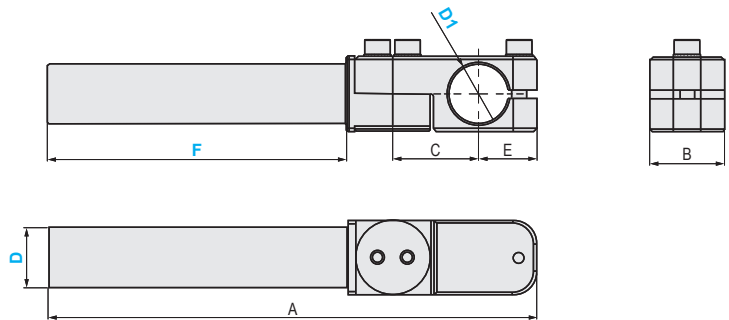


HEAVY-DUTY ELBOW ARM

■ Heavy-duty Elbow Arm

MSEAH



M Material	S Surface treatment
Aluminum product	Anodizing

- ⓘ This product is used together with the profile grip and its components. Note that It may not be compatible to assemble with other products.
- ⓘ When tightening, the gap is controlled to be less than 1 mm.
- ⓘ The surface is anodized, and the color of the actual product may vary from the product picture.

Part Number	D1	D	F	A	B	C	E	Weight (g)
MSEAH	20	20	50	113.5	25	28.7	19.5	95
			100	163.5				115
			150	213.5				130
	30	30	80	168.5	35	40.7	27.3	330
			140	228.5				380
			200	288.5				435



Order

Part Number	D1	D	F
MSEAH	20	20	50



Days to Ship

Quotation



Price

Quotation



Example

