


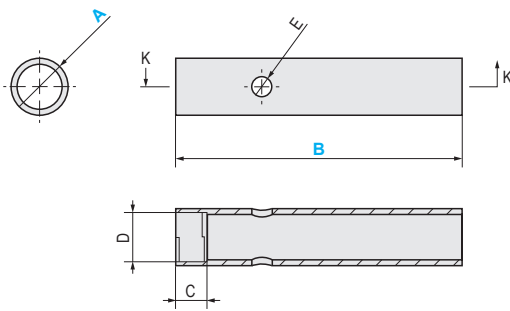
EXTENSION TUBE

■ Extension Tube



M Material	S Surface treatment
Aluminum product	Anodizing

MSMBY



Part Number	A	B	C	D	E	Weight (g)
MSMBY	12	50	12	M10×1	5	9
	12	100	12	M10×1	5	17
	14	50	12	M12×1	6	10
	14	100	12	M12×1	6	20
	20	50	15	M17×1	7	16
	20	100	15	M17×1	7	31
	30	50	18	M27×1	9	29
	30	100	18	M27×1	9	58

Order

Part Number	—	A	—	B
MSMBY		12		50

Days to Ship

Quotation

Price

Quotation

Example

