

LOCKING BLOCKS

—INLAY · PL INSTALLATION TYPE—

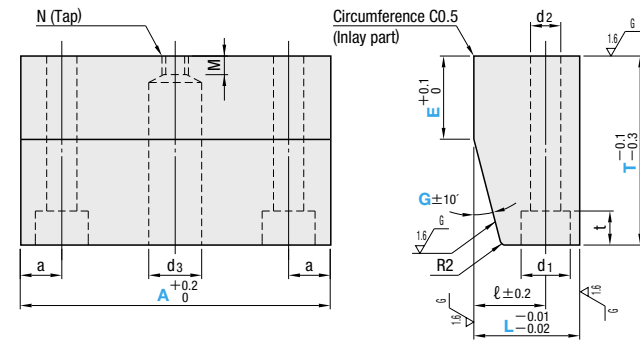
LOCKING BLOCKS WITH ANGULAR HOLE PROCESS

—PL INSTALLATION · WIDTH SPACE SAVING TYPE—

Ⓜ Non JIS material definition is listed on P.1351 - 1352

Part Number	Material	Hardness
LBPS	SKS3	53~56HRC
LBPM	HPM2T equivalent	37~41HRC

RoHS



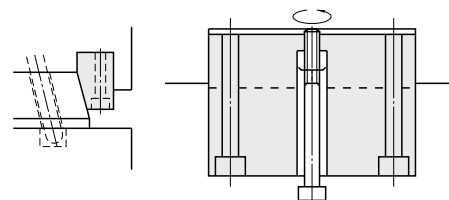
Tap N	M	a	ℓ	d1	d2	d3	t	Part Number Type	L	T	A	E		G°		U/Price for 1~9	
												1mm increments	1° increments	LBPS (SKS3)	LBPM (HPM2T equivalent)		
M5	5	8	14	9.5	5.5	9.5	6	LBPS (SKS3)	20	30	33 38 48 58	10~12	5~22	-	-	-	-
												13~15	5~25				
												16~18	5~29				
												19~20	5~33				
												10~12	5~17				
												13~15	5~19				
	16~18	5~22															
	19~20	5~26															
	10~12	5~13	-	-	-	-											
	13~15	5~16															
	16~18	5~18															
	19~20	5~20															
12	5~11																
13~15	5~12																
16~18	5~13	-	-	-	-												
19~20	5~14																
21~25	5~15																
26~30	5~18																
12	5~26					-	-	-	-								
13~15	5~27																
16~18	5~30																
19~20	5~33																
12	5~21																
13~15	5~22																
16~18	5~25	-	-	-	-												
19~20	5~28																
12~15	5~16					-	-	-	-								
16~18	5~17																
19~20	5~19																
12	5~12																
13~15	5~13																
16~20	5~14																
21~25	5~15	-	-	-	-												
26~30	5~17																

Quotation

Order Part Number — T — A — E — G
LBPS 20 — 30 — A33 — E15 — G10

Example

• This locking block can be easily removed by inserting a bolt and jacking up as shown in the figure.

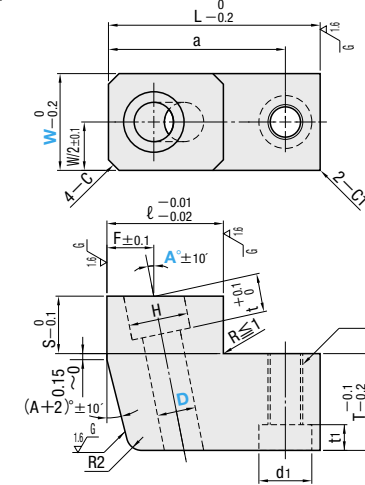


Part Number	Material	Hardness
ABPXE	SKS3	53~56HRC
ABPX	SKS3	53~56HRC

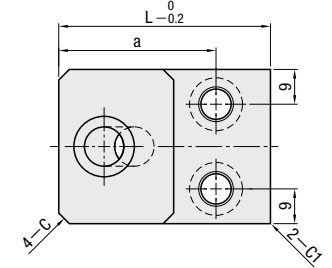
RoHS



■ W=15~30



■ W=40~70



a Dimension			
D	W	15~30	45
6	32	—	—
8	46	—	—
10	—	—	46
13	—	—	46

DH7	H	t	Bolt hole		Bolt	Tap N	L	T	F	ℓ	S	C	Part Number		A° (Selection)	
			d1	t1									Type	D		W
8	+0.015	13	11	6.5	M6	M 8	40	10	10	20	10	3	ABPXE	8	15 20 25	10*
6	+0.012	11											ABPX (SKS3)	6	20	
8	+0.015	13											ABPX (SKS3)	8	15 20 25	
10	+0.015	16											ABPX (SKS3)	10	25 30	
13	+0.018	19											ABPX (SKS3)	10	40 45	
													ABPX (SKS3)	13	45 50 55 60 65 70	

※ A 10 is available for ABPX only.

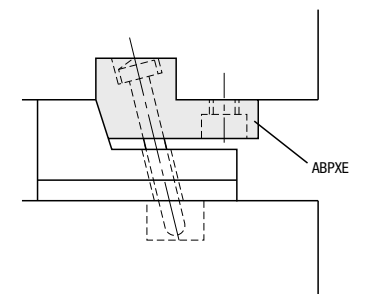
Order Part Number — W — A
ABPXE 6 — 15 — A15

Days to Ship Quotation

Price Quotation

Example

• You can also use a tap to install the block from the plate side. In this case, the size of the tap is the size of the mounting bolt.



Features

The S tolerance and (A+2)° tolerance of the ABPX on P.633 have been changed, and the price has been reduced. If a high-precision type is necessary, please order in the conventional ABPX.