

STRAIGHT LEADER PINS FOR MIDDLE · LARGE MOLD


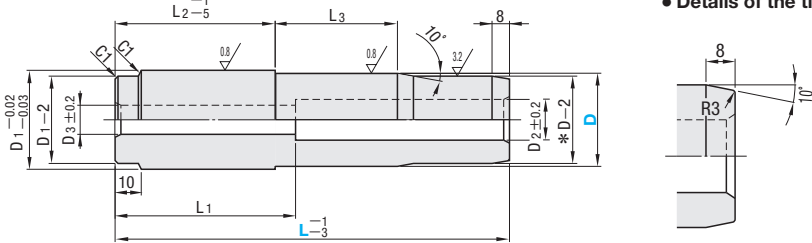
—BOLT TYPE—

STRAIGHT LEADER PINS FOR MIDDLE · LARGE MOLD/ASSIST PINS

—JOINT TYPE—

Ⓜ Non JIS material definition is listed on P.1351 - 1352

RoHS **GPPTA** (Bolt type)

• Details of the tip

Ⓜ S55C
 H 5-65HRC (Induction hardening)
 A Fixing bolt (CB) ×1

Ⓜ * D-2 area is not quenched.


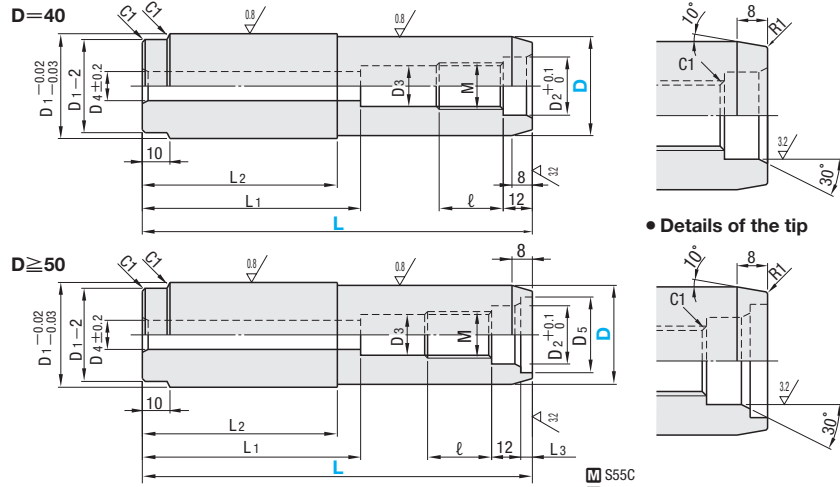
D tolerance	D1	D2	D3	L1	L2	L3	A Supplied bolts	Part Number		L	U/Price	
								Type	D			
40	-0.04 -0.05	40	17	11	95	80	70	CB10-120	GPPTA	40	160~210	Quotation
50	-0.06 -0.07	50	20	14	120	100	80	CB12-150		50	190~260	
60	-0.07 -0.08	60	26	18	145	120	100	CB16-170		60	230~270 280~320	
80	-0.08 -0.10	80	32	22	200	160	120	CB20-230		80	290~340 350~400	

Order **Part Number** — **L**
GPPTA 50 — **200**

Days to Ship **Quotation**

Price **Quotation**

RoHS **GPPTB** (Joint type)


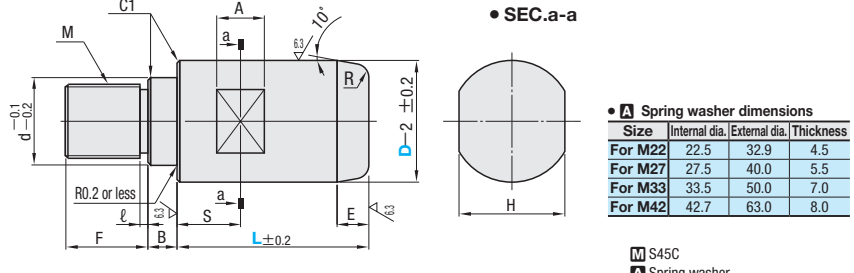



• Details of the tip

Ⓜ S55C
 H 55-65HRC (Induction hardening)
 A Fixing bolt (CB) M1×1

D tolerance	D1	D2	D3	D4	D5	L1	L2	L3	M	l	A Supplied bolts	Part Number		L	U/Price	
												Type	D			
40	-0.04 -0.05	40	22	17.7	11	—	95	80	—	M20	24	CB10-120	GPPTB	40	160	Quotation
50	-0.06 -0.07	50	27	21.2	14	41	120	100	6	M24	28	CB12-150		50	190	
60	-0.07 -0.08	60	33	26.6	18	51	145	120	7.5	M30	33	CB16-170		60	230	
80	-0.08 -0.10	80	40	32	22	64	200	160	8.5	M36	43	CB20-230		80	290	

■ Assist Pins for Leader Pin **RoHS** **GAPT**

• SEC.a-a

Ⓜ S45C
 A Spring washer

• A Spring washer dimensions

Size	Internal dia.	External dia.	Thickness
For M22	22.5	32.9	4.5
For M27	27.5	40.0	5.5
For M33	33.5	50.0	7.0
For M42	42.7	63.0	8.0

d	B	M	F	E	l	H	S	R	A	A Spring washer	Part Number		L	U/Price 1~9				
											Type	D		10mm increments	L60~100	L110~150	L160~200	L210~250
22	14	M20	20	10	4	32	15	5	25	For M22	GAPT	40	60~200	Quotation				
27	16	M24	28	12	5	41	20	8	30	For M27		50	80~250					
33	18	M30	30	15	5	50	25	8	35	For M33		60	100~250					
40	18	M36	40	15	5	70	30	10	35	For M42		80	120~300					

Ⓜ Specifications of the supplied spring washers correspond to the d size.
 Ⓜ Use GAPT in conjunction with GPPTB.

Order **Part Number** — **L**
GPPTB60 — **230**
GAPT 40 — **120**

Days to Ship **Quotation**

Price **Quotation**