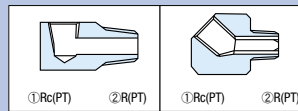
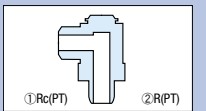



L-SHAPED COOLING JOINTS



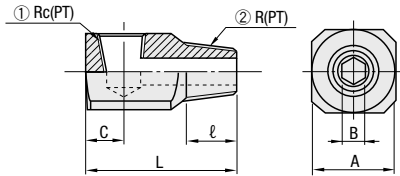
L-SHAPED SWIVEL JOINTS



Ⓜ Non JIS material definition is listed on P.1351 - 1352




JEFL (Female • male L-shaped adapter joint)



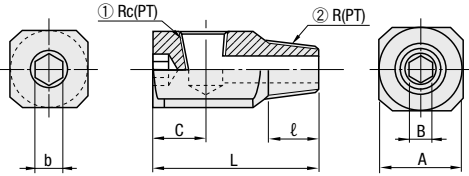
① Rc(PT) ② R(PT)

Ⓜ Brass (C3604)

Ⓜ Hexagonal holes bored at the tapered screw ②. Thread JIS B0203 tapered thread for tube R_{Rc} (PT)



JEFLR (Female • male L-shaped adapter joint—Hexagonal hole type—)



① Rc(PT) ② R(PT)

Ⓜ Brass (C3604)

Ⓜ Hexagonal holes bored at the tapered screw ②. Thread JIS B0203 tapered thread for tube R_{Rc} (PT)


A	Hexagonal wrench socket		L	C	ℓ	① Rc(PT)	② R(PT)	Part Number		U/Price			
	○B	○b						Type	No.				
14	○6	—	35	12	9	1/8	1/8	JEFL	11	Quotation			
			37		11						1/4		
			41		9						1/8		
17.5	—	—	43	11	11	1/4	1/4	JEFL	21	Quotation			
			45		13						3/8		
			48		11						1/4		
22	○8	—	45	13	13	3/8	3/8	JEFL	23	Quotation			
			48		11						1/4		
			50		13						3/8		
14	○6	○6	35	12	9	1/8	1/8	JEFLR	11	Quotation			
			47.3		15.3						11	1/4	1/4
			56		18						13	3/8	3/8

Ⓜ Use in atmospheric pressure 980kPa (10kgf/cm²) or lower.

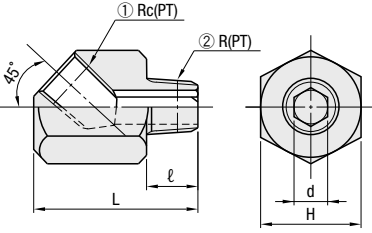
Order **Part Number** **JEFL 22**

Price **Quotation**

Days to Ship **Quotation**



JELF (Adapter joint • 45° type)



① Rc(PT) ② R(PT)

Ⓜ Brass (C3604)

Ⓜ Note that JELF do not turn as LSNF. Thread JIS B0203 tapered thread for tube R_{Rc} (PT)

Ⓜ Hexagonal holes bored at the tapered screw ②.


H	Hexagonal wrench socket ○d	① Rc(PT)	② R(PT)	ℓ	L	Part Number		U/Price
						Type	No.	
19	○6	1/8	1/8	10	30	JELF	11	Quotation

Ⓜ Use in atmospheric pressure 980kPa (10kgf/cm²) or lower.

Order **Part Number** **JELF 11**
JEFLR22

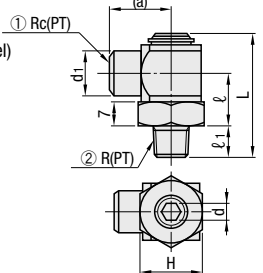
Price **Quotation**

Days to Ship **Quotation**



L-shaped Swivel Joints

LSNF (Brass)
SUS—LSNF (Stainless steel)



① Rc(PT) ② R(PT)

Ⓜ LSNF Brass (C3604)
SUS—LSNF Stainless steel (SUS303)


Ⓜ Values in () are reference only. Thread JIS B0203 tapered thread for tube R_{Rc} (PT)

Ⓜ LSNF not conform to RoHS. Ⓜ Hexagonal holes bored at the tapered screw ②.

H	d ₁	Hexagonal wrench socket ○d	L	ℓ	ℓ ₁	(a)	① Rc(PT)	② R(PT)	Part Number		U/Price					
									Type	No.						
19	14	○5	36.5	15.75	9.5	16	1/8	1/8	LSNF	(Brass)	1					
			39.5									12.5	20.5	1/4	1/4	2
			42.5									17.75	13.5	25.5	3/8	
19	17	○6	39.5	15.75	12.5	20.5	1/4	1/4	SUS—LSNF	(Stainless steel)	1					
												42.5	17.75	13.5	25.5	3/8

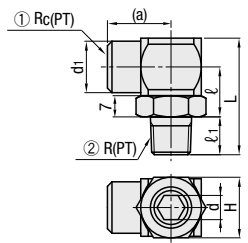
Ⓜ Use in atmospheric pressure 980kPa (10kgf/cm²) or lower.

Ⓜ Keep water temperature under 120°C.



L-shaped Swivel Joints Constant flow type

LSNFM (Brass)



① Rc(PT) ② R(PT)

Ⓜ Brass (C3604)

Ⓜ Values in () are reference only. Thread JIS B0203 tapered thread for tube R_{Rc} (PT)

Ⓜ Hexagonal holes bored at the tapered screw ②.

Refer to P.1094 on the difference of inner structure of swivel type.

H	d ₁	Hexagonal wrench socket ○d	L	ℓ	ℓ ₁	(a)	① Rc(PT)	② R(PT)	Part Number		U/Price				
									Type	No.					
20	14	○6	35.5	16.5	9.5	17	1/8	1/8	LSNFM	1	Quotation				
			38.5									12.5	20.5	1/4	1/4
			39.5									13.5	24	3/8	3/8

Ⓜ Use in atmospheric pressure 980kPa (10kgf/cm²) or lower.

Ⓜ Keep water temperature under 120°C.

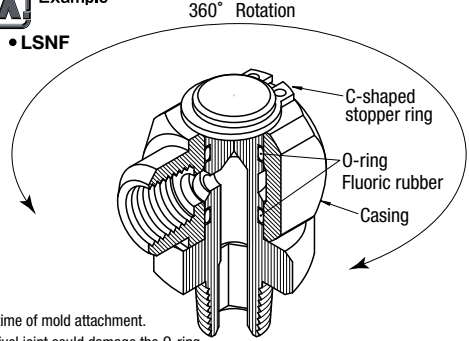
Order **Part Number** **LSNF 2**
LSNFM 3

Days to Ship **Quotation**

Price **Quotation**

ex Example

• LSNF



360° Rotation

C-shaped stopper ring

O-ring Fluoric rubber

Casing

Ⓜ L-shaped Swivel joint is a product for the turn at the time of mold attachment. Note that intermittent or continuous turning of the swivel joint could damage the O-ring, which results in water leakage.