


# DISTANCE SPACERS

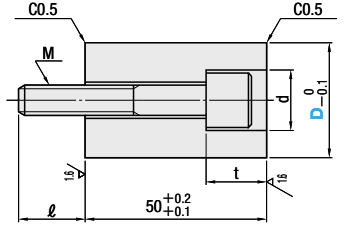
# NAME PLATES FOR PLASTIC MOLD/ADJUSTMENT COLLARS

Ⓜ Non JIS material definition is listed on P.1351 - 1352

Free designation type (DSF) P.1001



① RoHS  
② DS



① SS45C  
② Black Oxide  
③ SCM435  
Strength rank 12.9  
Screw part: JIS B 0205 6g (Class 2)

d	t	ℓ	M×Pitch (Coarse thread)	Part Number		U/Price 1~9
				Type	D	
11	13	8	M 6×1.0	DS	19	Quotation
					20	
					24	
					25	
					29	
14	15	15	M 8×1.25	DS	32	Quotation
					38	
17	18	18	M10×1.5			

Order **Part Number**  
DS38


Days to Ship **Quotation**

Price **Quotation**

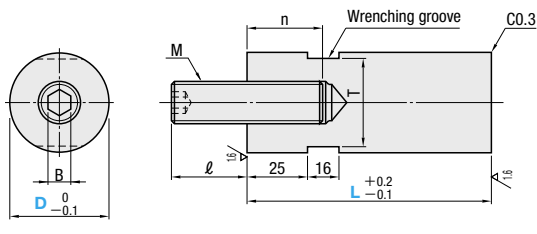
Example **ex**



Used as legs for a mold, the distance spacers protect its components, such as plugs and nipples, when it is laid on the floor. P.1049~



① RoHS  
② DSN



① SS400  
② Black Oxide  
③ SCM435  
Strength rank 12.9  
Screw part: JIS B 0205 6g (Class 2)

M (Coarse thread)	T	ℓ	n	B	Part Number		U/Price 1~9	
					Type	D	L	L50
M12	17	20	20	6	DSN	20	50	Quotation
M16	22	25	25	8				
M20	29	30	30	10				
M20	32	30	30	10				

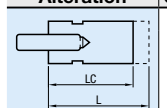
Order **Part Number** - L  
DSN25 - 100

Days to Ship **Quotation**


Price **Quotation**

Alterations **Part Number** - LC  
DSN20 - LC65

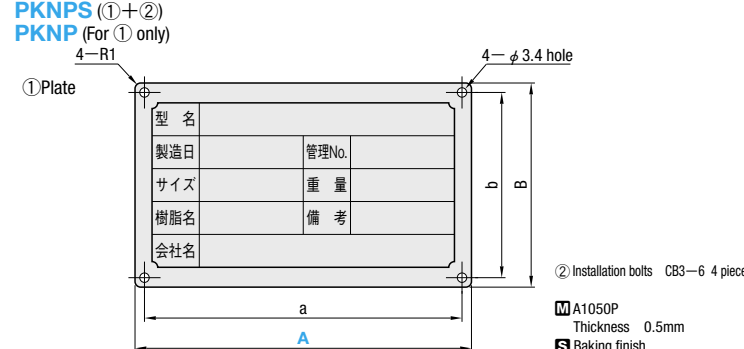
**Quotation**

Alteration	Code	Spec.	1Code
	LC	Shortens the full length. LC=5mm increments 50 < LC < 100	Quotation

Name Plates for Plastic Mold **RoHS**



PKNPS (①+②)  
PKNP (For ① only)



② Installation bolts CB3-6 4 pieces  
A1050P Thickness 0.5mm  
Baking finish


A	a	B	b	Part Number		U/Price 1~9		Characteristics
				Type	A	PKNPS	PKNP	
70	65	30	25	PKNPS (①+②)	70	Quotation	Quotation	<p>It can be used in storing/managing molds. Oil-based pens or ball-point pens can be used. Since this is made of aluminum, it can be engraved with chisel and such.</p> <p>Note on handling Heat resistance of the surface finishing material is 150°C.</p>
80	75	50	45	PKNP (For ① only)	80	Quotation		

Order **Part Number**  
PKNP70

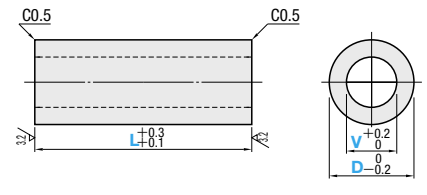
Days to Ship **Quotation**

Price **Quotation**

Adjustment Collars **RoHS**



KACL



Part Number Type	D	L 1mm increments	V	U/Price 1~4			
				L5~50	L51~100	L101~150	L151~200
KACL	10	5~150	7	Quotation			
	12						
	15						
	18						
	25						
	35	5~200	9.5				
	40						
	45						
	50						

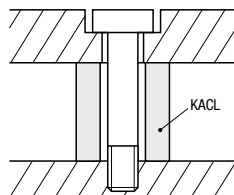
Order **Part Number** - L - V  
KACL18 - 145 - V10.5

Days to Ship **Quotation**

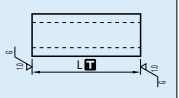
Price **Quotation**

Alterations **Part Number** - L - V - (LKC)  
KACL18 - 138.25 - V10.5 - LKC

Example **ex**



It can be used as a space adjustment collar.

Alteration	Code	Spec.	1Code
	LKC	Changes L dimension tolerance. L+0.3 → L+0.05 L+0.1 → L+0 Available for D≤40 and L≤150 L dimension can be designated at 0.01mm increments.	Quotation