

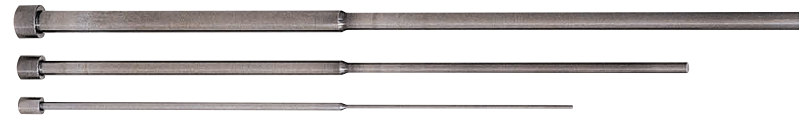
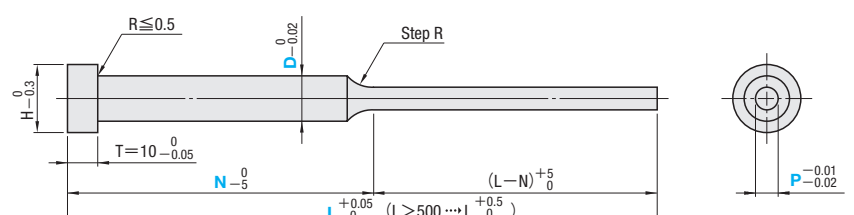
Dies Steel  
SKD61 equivalent  
+  
Nitrided

# STEPPED EJECTOR PINS FOR DIE CAST

— L · P DIMENSION DESIGNATION TYPE —

Ⓢ Non JIS material definition is listed on P.1351 - 1352

RoHS

Range of guaranteed shaft diameter precision (Details [P.1301](#))  
Step R (Details [P.1302](#))  
SKD61 equivalent + Nitrided  
Surface 900HV  
Base material 40~45HRC  
Range of guaranteed base material hardness (Details [P.1303](#))  
Range of guaranteed surface hardness for nitriding (Details [P.1303](#))

Part Number	Head Thickness

H	Part Number		L		P	N
	Type	D	0.01mm increments	0.1mm increments	0.01mm increments	1mm increments
8	DES F	4	50.00~500.00	500.1~600.0	1.50~ 3.90	N ≥ 30 and 15 ≤ (L - N) ≤ 300
9		5		3.00~ 4.90		
10		6		500.1~700.0	4.00~ 5.90	
11		7		4.90~ 6.90		
13		8		5.90~ 7.90		
15		10		7.90~ 9.90		
17		12		8.90~ 11.90		
20		15		10.90~ 14.90		
25		20		15.90~ 19.90		

Ⓢ L ≤ 500.00 → 0.01mm increments, L 500 → 0.1mm increments  
Ⓢ DES F: Nitriding may extend to the head as it is applied after dimension P machining.

Order **Part Number** — **L** — **P** — **N**  
DES F5 — 268.30 — P3.01 — N45

Days to Ship **Quotation**

Alterations **Part Number** — **L** — **P** — **N** — (KC · WKC...etc.)  
DES F10 — 720.5 — P9.00 — N300 — SKC7.0

Alterations	Code	Spec.	1Code
	KC	KC=0.1mm increments Ⓢ D/2 ≤ KC < H/2	Quotation
	WKC	WKC=0.1mm increments Ⓢ D/2 ≤ WKC < H/2	
	KAC KBC	KAC, KBC=0.1mm increments Ⓢ D/2 ≤ KAC < KBC < H/2	
	RKC	RKC=0.1mm increments Ⓢ D/2 ≤ RKC < H/2	
	DKC	DKC=0.1mm increments Ⓢ D/2 ≤ DKC < H/2	
	SKC	SKC=0.1mm increments Ⓢ D/2 ≤ SKC < H/2	
	KGC	KGC=0.1mm increments AG=1° increments Ⓢ D/2 ≤ KGC < H/2, 0 < AG < 360	
	KTC	KTC=0.1mm increments Ⓢ D/2 ≤ KTC < H/2	

**P** Price **Quotation**

Alteration details [P.53](#)

Alterations	Code	Spec.	1Code
	HC	HC=0.1mm increments Ⓢ D+1 ≤ HC < H	Quotation
	TC	TC=0.1mm increments Ⓢ 5.0 ≤ TC < 10 (Dimensions L and N remain unchanged) Ⓢ 10 - TC ≤ L max. - L	
	NC	Dowel hole boring Ⓢ Combination with other than NHC · NHN not available.	
	NCW	Dowel hole boring + Spring pin driving Ⓢ Combination with other than NHC · NHN not available.	
	NHC	Numbering on the head How to order <a href="#">P.54</a> Ⓢ Combination with SKC not available.	
	NHN	Automatic sequential numbering on the head How to order <a href="#">P.54</a> Ⓢ Combination with SKC not available.	
	MC	Head tapping Ⓢ Available when D ≥ 8 Ⓢ Combination with any other alteration not available.	

Head thickness JIS type [P.151](#)  
T=4, 6, 8