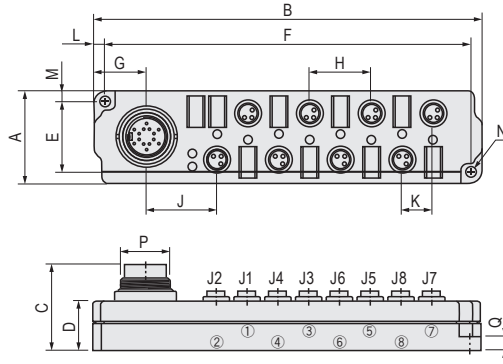


JUNCTION BOX FOR SWITCH SIGNAL

8-In-1-Out Junction Box for Switch Signal

MAJC8



Part Number		V type outlet mode (Vertical)	A	B	C	D	E	F	G	H	J	K	L	M	N	P	Q	Applicable connector model	Weight (g)
Type	Switch type																		
MAJC8	N (NPN Switch)	M16	30	126	28	16	23	119	17	20	23	10	3.5	3.5	φ 3.5	M16×0.75	4.5	MELKE8—M16 MELKD4—M8	120
	P (PNP Switch)																		



Order

Part Number — V
MAJC8N — M16



Price

Quotation

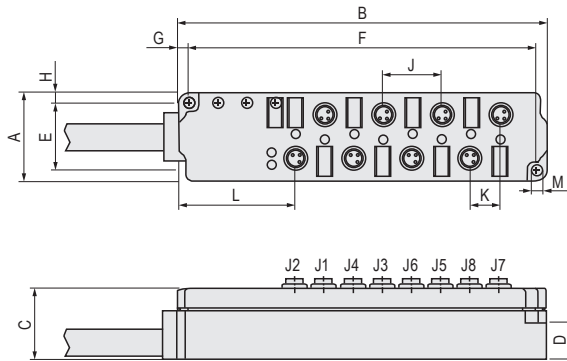


Days to Ship

Quotation

8-In-1-Out Wired Junction Box for Switch Signal

MAJD8



Part Number		V type outlet mode (Vertical)	A	B	C	D	E	F	G	H	J	K	L	M	N	Applicable connector model	Weight (g)
Type	Switch type																
MAJD8	N (NPN Switch)	D2	30	126	24.5	13.3	23	119	3.5	3.5	20	10	23	φ 3.5	3.5	MELKE8—M16 MELKD4—M8	300
	P (PNP Switch)																



Order

Part Number — V
MAJD8N — D2



Price

Quotation



Days to Ship

Quotation