

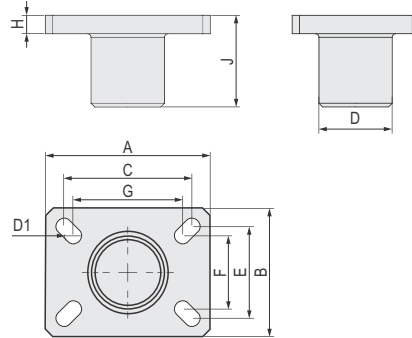
**NEW**

FIXING BLOCK

# AIR NIPPER FIXING BLOCK

## ■ Air Nipper Fixing Block

**MSCEB-1015**



<b>M</b> Material	<b>S</b> Surface treatment
Aluminum product	Anodizing

Part Number	A	B	C	D	D1	E	F	G	H	J	Weight (g)
<b>MSCEB-1015</b>	4.5	35	35	φ 20	φ 4.5	25	20	30	5	25	38



Order

Part Number

**MSCEB-1015**



Example



Days to Ship

**Quotation**



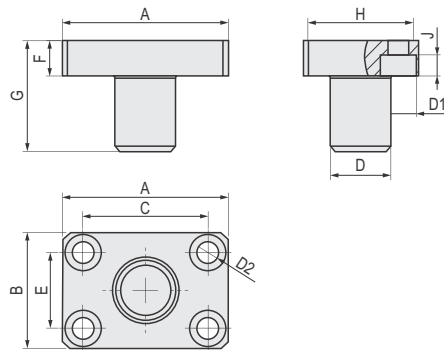
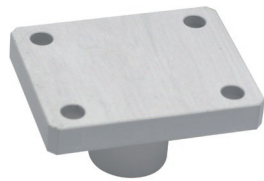
Price

**Quotation**



## ■ Air Nipper Fixing Block

**MSCEC-05**



<b>M</b> Material	<b>S</b> Surface treatment
Aluminum product	Anodizing

Part Number	A	B	C	D	D1	D2	E	F	G	H	J	Weight (g)
<b>MSCEC-05</b>	33	23	25	φ 12	φ 7.2	φ 4.2	15	7	22	21	4.2	17



Order

Part Number

**MSCEC-05**



Example



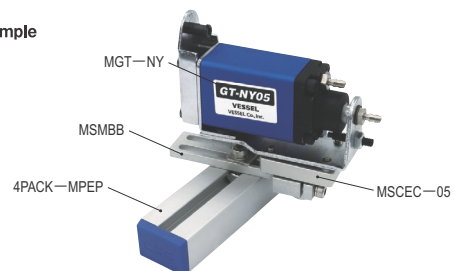
Days to Ship

**Quotation**



Price

**Quotation**



REMOVAL  
RELATED PRODUCTS