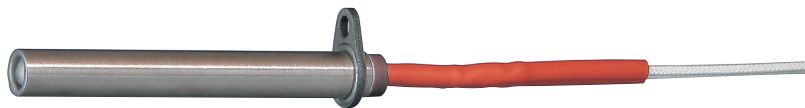


CARTRIDGE HEATERS

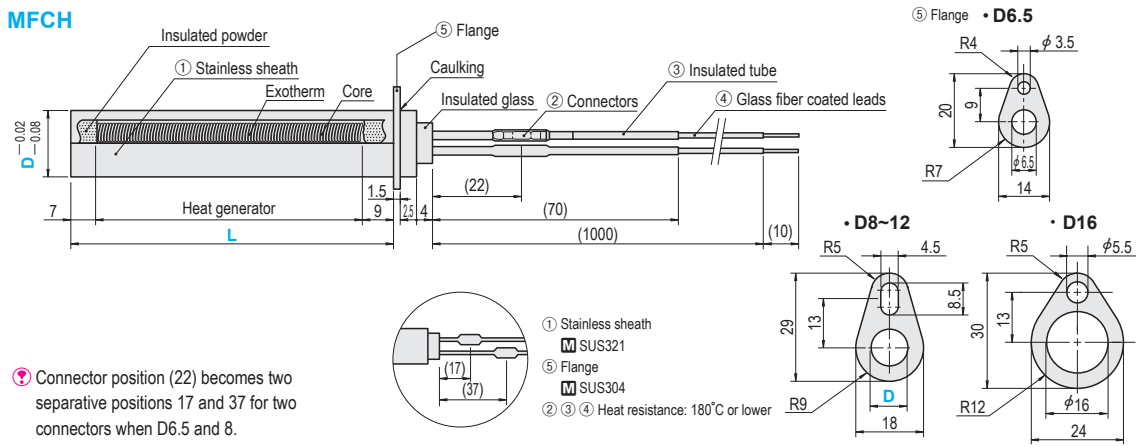
-WITH STOPPER FLANGE-

Refer to P.354 for new release lubricant seizure inhibitor

RoHS10



MFCH



V (Voltage)	W (Wattage)	W/cm ² (Watt density)	Lead nominal cross-sectional area [mm ² ,sq]	Part Number		L	V	W	Unit Price	
				Type	D					
200	110	15.9	0.75	MFCH	6.5	50	200	110	Quotation	
	250	14.6				100		250		
	320	15.2				100		320		
	270	8.0				8		270		
	500	14.9						150		500
	330	8.0						180		330
	620	15.0			200			620		
	500	10.8			250			500		
	690	14.9			150			690		
	800	17.3			180	800				
	700	11.9			10	700				
	500	11.9				200		500		
	720	14.0	250			720				
	450	7.8	180			450				
	650	11.3	12			650				
	860	14.9				200		860		
	880	12.0			250	880				
	1100	15.0			200	1100				
	700	11.3			16	700				
	820	11.8				200		820		
	1050	15.1	250			1050				
	1300	14.7	200			1300				
	1200	13.0	300			1200				
	1500	10.5	2.0			1500				

Color of insulated glass of D16 is white, instead of pink for other D dimensions, however, no difference in quality compared with other D dimensions of D6.5~12 with pink color.



Order

Part Number — L — V — W
 MFCH10 — 200 — V200 — W450



Days to Ship

Quotation

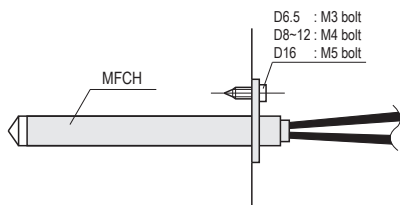


Price

Quotation



Example



Features

- A flange prevents the cartridge heaters coming off from the mold.
- The plate side hole processing of flange is the same with MCHJ (P.342). (D8-12)

COMPONENTS FOR MOLD COOLING AND TEMPERATURE CONTROLLING SYSTEMS