

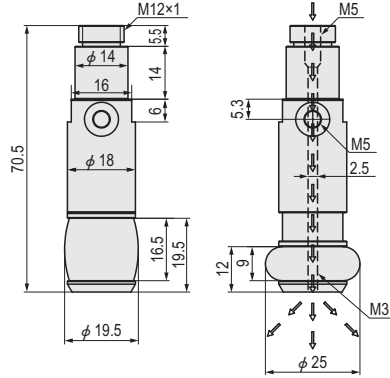
NEW

EXPANSION GRIPPER

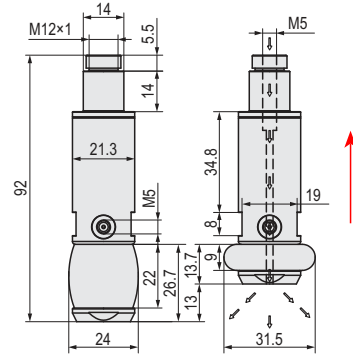
Expansion Gripper



MGBD-18-HD-S1



MGBD-22-HU-S1



M Material	S Surface treatment
Aluminum product	Anodizing

- ④ Compressed air is provided using a central through hole.
- ④ This product's function is a pick-and-place component and is used for the installation of Grip fixtures. Note that it may not be compatible to assemble with other products.
- ④ When tightening, the gap is controlled to be less than 1mm.
- ④ The surface is anodized, and the color of the actual product may vary from the product picture.

Part Number	Color of silicone rubber	Acting direction of expansion gripper
MGBD-18-HD-S1	Blue	Downward
MGBD-22-HU-S1	Blue	Upward



Order

Part Number
MGBD-18-HD-S1



Price

Quotation



Example



Days to Ship

Quotation

