

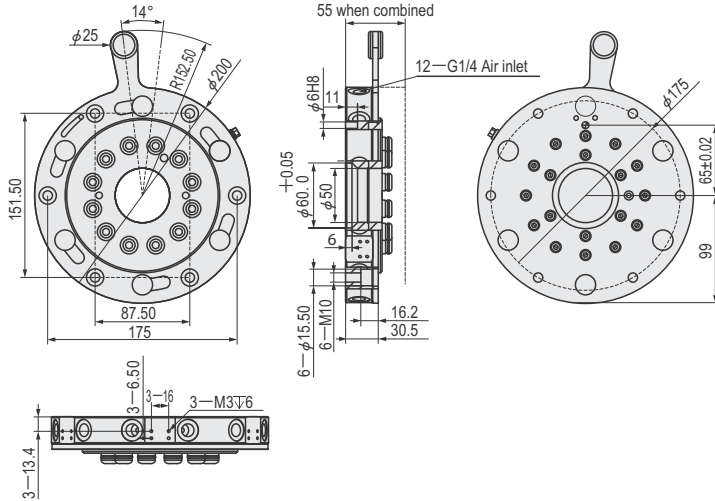
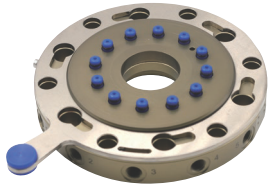
NEW

QUICK CHANGER

MANUAL GRIP FOR QUICK CHANGER

■ Robot Side

MQC-R-200



M Material	S Surface treatment
Aluminum product	Anodizing

Part Number	Compatible type	Weight (g)	Gas path (group)	Signal interface (group)	Vertical load weight (kg)	Vertical positioning accuracy (mm)
MQC-R-200	MQC-G-200	2640	12	9Pin×1	75	±0.1



Order

Part Number
MQC-R-200



Days to Ship

Quotation



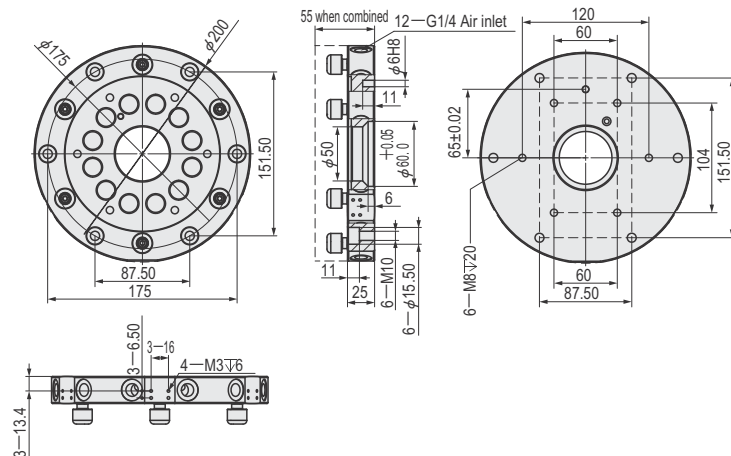
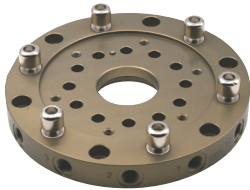
Price

Quotation

REMOVAL RELATED PRODUCTS

■ Grip Side

MQC-G-200



M Material	S Surface treatment
Aluminum product	Anodizing

Part Number	Compatible type	Weight (g)
MQC-G-200	MQC-R-200	1890



Order

Part Number
MQC-G-200



Days to Ship

Quotation



Price

Quotation