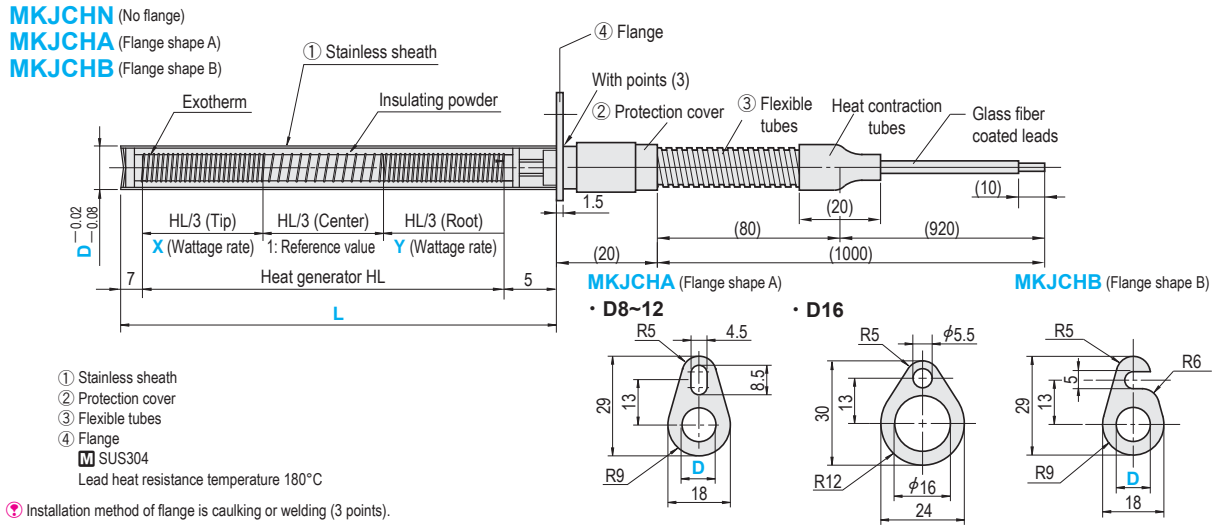


# CARTRIDGE HEATERS SOAKING TYPE

-L, W, FLANGE SELECTION TYPE • LEAD PROTECTION COVER-

RoHS10



Part Number Type	D	L 1 mm increments	V (Voltage) selection	W (Total wattage) 10W increments	X (Wattage rate) 0.1 increments	Y (Wattage rate) 0.1 increments
MKJCHN (No flange)	8	100~400	200 220	100~1100	1.0~2.0	1.0~2.0
MKJCHA (Flange shape A)	10			100~1600		
MKJCHB (Flange shape B)	12			100~1800		
	*16	100~600		100~2000		

⊕ Watt density limit  $2 \leq \text{Watt density (W/cm}^2) \leq 15$

⊗ \* MKJCHB: Not available for D16

⊕ Tip:  $2 \leq W \times \frac{X}{X+Y+1} \div (D \times \frac{HL}{3} \times 3.14 \div 100) \leq 15$

⊕ Root:  $2 \leq W \times \frac{Y}{X+Y+1} \div (D \times \frac{HL}{3} \times 3.14 \div 100) \leq 15$

⊕ Center:  $2 \leq W \times \frac{1}{X+Y+1} \div (D \times \frac{HL}{3} \times 3.14 \div 100) \leq 15$



Order

Part Number — L — V — W — X — Y  
**MKJCHA12 — 300 — V200 — W1200 — X1.4 — Y1.6**



Days to Ship

**Quotation**



Alterations

Part Number — L — V — W — X — Y — (JC · M4 · G4)  
**MKJCHA8 — 180 — V220 — W500 — X1.4 — Y1.4 — JC3 — G4**

Alterations	Code	Spec.	1Code
	JC	Change the length of the lead wire. Specification method    Lead wire length (mm) JC2                            2000 JC3                            3000	<b>Quotation</b>
	M4	Fit round crimped terminal (M4) onto lead wire.	
	G4	Fit Y-type crimped terminal (M4) onto lead wire.	



Price

Part Number Type	D	Unit Price (1~9 pcs)									
		L100	L151	L201	L251	L301	L351	L401	L451	L501	L551
MKJCHN (No flange)	8										
	10										
	12										
	16										
MKJCHA (Flange shape A)	8										
	10										
	12										
	16										
MKJCHB (Flange shape B)	8										
	10										
	12										
	16										

⊕ D16 is for MKJCHN and MKJCHA.

• Wattage rate

The overall wattage (W) of the entire heater indicates the ratio of the distribution to each part. You can specify the wattage of the tip and the root as multiples, based on a reference value of 1 for the center. Guide for cartridge heater soaking type **P.335**