


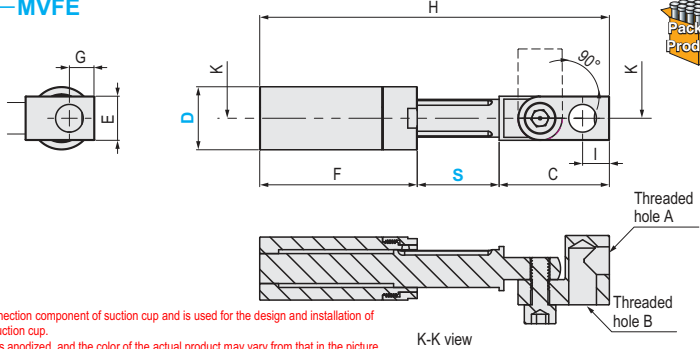
**NEW**

NON-ROTATIVE SUSPENSIONS

**NON-ROTATIVE SUSPENSIONS (WITH INTEGRATED ELBOW ARM)**

— CYLINDER TYPE / THREAD TYPE —

**■ Cylinder Type** **4PACK—MVFE**

**Material** Aluminum **Surface treatment** Anodizing

This is a connection component of suction cup and is used for the design and installation of embedded suction cup.  
The surface is anodized, and the color of the actual product may vary from that in the picture.

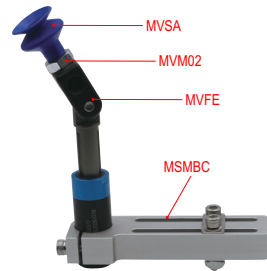
Part Number	D	S	A	B	C	E	F	G	H	Weight (g)
4PACK—MVFE	10	11	M5	M5	20	8	22	8	55	15
	14	21	G1/8	G1/8	32	14	40	14	72	45
	20	26	G1/8	G1/8	35	14	50	14	111	70
	20	51	G1/8	G1/8	35	14	84	14	169.5	105



Order **Part Number** — **D** — **S**  
4PACK—MVFE — 10 — 11



Example



Days to Ship


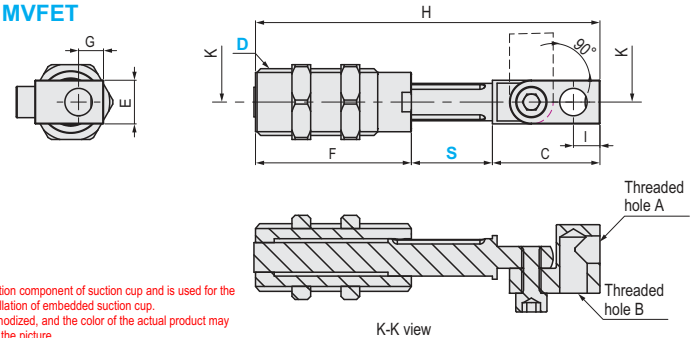
**Quotation**



Price

**Quotation**

**■ Thread Type** **4PACK—MVFET**

**Material** Aluminum **Surface treatment** Anodizing

This is a connection component of suction cup and is used for the design and installation of embedded suction cup.  
The surface is anodized, and the color of the actual product may vary from that in the picture.

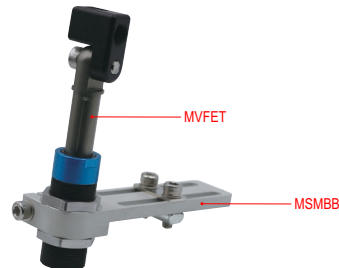
Part Number		D	S	A	B	C	E	F	G	H	Weight (g)
Type	With or without thread										
4PACK—MVFE	T (With thread)	M10	11	M5	M5	20	8	22	8	55	18
		M14	21	G1/8	G1/8	32	14	40	14	93	57
		M20	26	G1/8	G1/8	35	14	50	14	111	88
		M20	51	G1/8	G1/8	35	14	84	14	169.5	125



Order **Part Number** — **D** — **S**  
4PACK—MVFET — M10 — 11



Example



Days to Ship

**Quotation**



Price

**Quotation**