

NEW

RUNNER CHUCK / RUNNER CHUCK SWITCH

RUNNER CHUCK / RUNNER CHUCK SWITCH

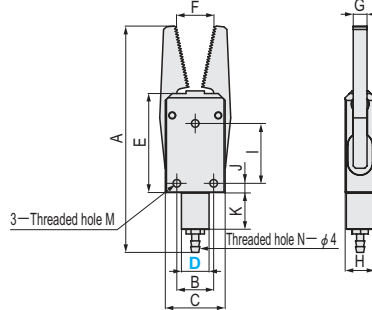
■ **MGR Series**



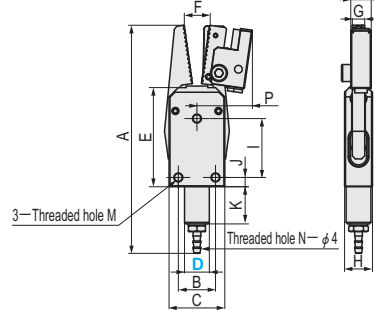
M Material	S Surface treatment
Aluminum product	Anodizing

MGRZ

Without sensor



With sensor



- ① This product's function is a pick-and-place component and is used for the installation of Grip fixtures. Note that it may not be compatible to assemble with other products.
- ② When tightening, the gap is controlled to be less than 1mm.
- ③ The surface is anodized, and the color of the actual product may vary from the product picture.
- ④ The threaded hole at N needs to be connected to the φ 4 air pipe.

Part Number			D	A	B	C	E	F	G	H	I	J	K	M	N	P
Type	Switch type	Size														
MGRZ	—	S	8	73	12	18	32	8.4	4	9	19	3	12	M3	M3	18
	(Not provided)	M	12	98.5	16	26	43	16	6	13	26	4	16	M4	M5	22
	(NPN switch)	L	12	115.2	25	39	52	17.5	8	15	31.5	4.5	16	M5	M5	25.5
	(PNP switch)	X	20	147	32	42	68.8	21	10	20	43	5	25	M6	M5	27



Order Part Number — D
MGRZNS — 8



Days to Ship

Quotation



Price

Quotation

■ **Runner Chuck Switch**



Part Number	Switch (type)	Applicable runner chuck type
MGRZW	N (NPN switch)	MGRYNA—20
		MGRYNB—20
		MGRN—12
		MGRZNS—8
P (PNP switch)	MGRYPA—20	
	MGRYPB—20	
	MGRP—12	
	MGRZPS—8	



Order Part Number — Switch (type)
MGRZW — N



Days to Ship

Quotation



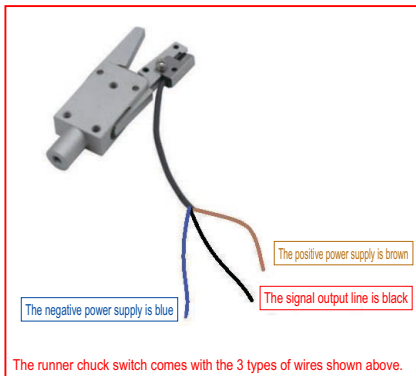
Price

Quotation

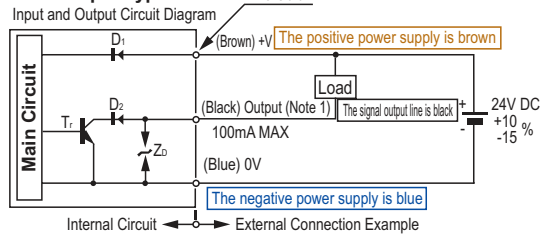


Example

■ **Wiring Method**



NPN Output Type



PNP Output Type

